

RT™ Plus

RFID Locks



Overview

The RT Plus is a rugged full-body electronic lock that offers RFID technology to enhance resident convenience and improve operational efficiency. This durable lock is easy to use and works with Community access management software.

Mobile Access

The RT Plus Series are Bluetooth Low Energy (BLE) capable and can operate using the dormakaba Mobile Access Solutions. This gives today's residents the added convenience of using a smart device in addition to fobs to access units, common areas and the building perimeter.

Applications

- Suitable for small to very large scale multihousing properties
- Easily replaces existing mechanical or electronic door locks throughout a facility
- Ideal for new construction projects or when doors are being replaced

Security Features

- Maintains lock programming and audit records with non-volatile memory
- Increases safety with tracking mortise for door ajar reporting when using Messenger option
- Includes staff monitoring enabled by RFID key audits

Low Maintenance

- Batteries (3AA) last over 2 years
- Low battery indicator alerts staff
- Lock programming and audit records are not erased during battery replacement
- Operates with a completely sealed contactless reader
- Wear resistant construction and finish
- Standard 2-year factory warranty

Access Management Software

The RT Plus is compatible with dormakaba Community™ access management software for intuitive management of residences, amenities, common areas and perimeter access from a single platform. Community offers the convenience of both RFID credentials and mobile access keys for a seamless experience with no need for additional software.

Mechanical Features

Description	Heavy duty electronic lockset (mortise or cylindrical) with clutch mechanism and built-in contactless RFID reader
Handing	Left or Right factory handed mortise, field reversible handing (lever and mortise)
Levers (inside & outside)	ADA compliant, outside lever free to rotate upward and downward in locked mode Lever clearance (space from end of lever to door) Long Lever 3/8" (9.5mm) Short Lever 2" (51mm) Elevation & Gala Levers 2 9/32" (58mm)
Finishes	Satin chrome, oil-rubbed bronze, bright chrome, and satin nickel
Concealed Key Override (optional)	- Lori KIK Core (keyed-alike, master keyed, recodable) - Best Small IC Adaptor
Locking Options	ANSI Grade 1 lock assembly Mortise lock case with 1 1/4" or 1" lock front mortise with optional automatic deadbolt; 1" (25mm) solid metal deadbolt Cylindrical latch with 1/2" latch bolt
Door Thickness	From 1 3/8" to 2 1/2" (35mm to 66mm)
Shipping Weight	8.5 lbs (3.8 kg)
Standard Backset	ASM: 2 3/4" (70mm) Cylindrical: 2 3/4" (70mm) and 2 3/8" (60mm)
Online Configuration	Messenger LENS Online available: Lock controller board with Messenger LENS capability

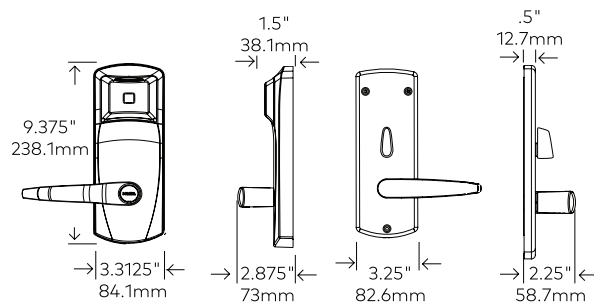


Lock Operation

Date/Time Stamp	Real time: date and hours/minutes; automatically adjusts for daylight savings time
No Touring	New credentials automatically cancel prior credential when brought to lock
Electronic Key Levels	User defined, customizable key levels & key groups tailored for your community. Individual levels for residents, leasing, maintenance, services and vendors.
Programming & Audit Trail Downloading	Handheld unit incorporating Near Field Communication interface and FW/Security features
Passage Lockout Mode	Set up authorized key
Credentials Accepted	- Mifare Ultralight C: Guest Keys - Mifare DESFire: Guest and Staff Keys (DESFire EV3 2k, DESFire EV2 4k, DESFire EV3 4k, DESFire EV3 8k) - Mifare Plus: Guest Keys (Mifare Plus 1K), Staff Keys (Mifare Plus S 1k, Mifare Plus S 2k, Mifare Plus S 4k) - Mifare Classic: Guest Keys (Mini), Staff (Classic 1k, Classic 4k)
Feedback	Light indicators in reader
Audit Trail	Most recent 4,000 events
Privacy Override	Default emergency key only (user selectable)

Certifications & Testing

Accessibility Standard	Complies with 2010 ADA Standards for Accessible Design – Art. 309.4 (Operable Parts). Only for models with long lever with ASM or cylindrical lock. Non ADA compliant with auto dead bolt. Lock shall be properly aligned with the mortise or latch and must be installed strictly according to the dormakaba installation instructions and the ADA Standards and Regulations applicable for each facility, to be able to fulfill compliance with ADA requirements.
Certification	BHMA A156.13 and A156.25 Grade 1 Florida Building Code HVHZ / Non-HVHZ
Fire Rating	Meets UL 10C and ULC S-104, on fire door rated up to and including 3 hours
Electronics	Compliant with CE 61000-4-3 and CE 61000-4-4 for electromagnetic compatibility and FCC part 15 requirements.
Environmental Operating Conditions	-31°F to +158°F (-35°C to +70°C) 0% to 90% non-condensing humidity at 86°F (30°C) IP54 certified



© dormakaba 2020 Information on this sheet is intended for general use only. dormakaba reserves the right to alter designs and specifications without notice or obligation.

dormakaba USA Inc.
 T: 1 800 849 8324
 +1 514 340 9025