



4-1/2" round switch

Automatic swinging doors

Description

This dormakaba switch is a heavy-duty, ADA-compliant door control. The 4-1/2" round faceplate is stainless steel or solid brass, and the assembly is designed for easy installation.

The switch mounts to standard 2 x 4 electrical box. This SPDT (and optional DPDT) switch is UL/CSA approved, and rated 15 Amps @ 30V DC.

Application

dormakaba's 4-1/2" round switch is designed for areas where an easy-to-activate, high visibility switch is desired. Ideal for high-traffic areas, hospitals, wheelchair access, seniors' residences, etc. It can be surface or flush mounted.

The switch is designed to control electric strikes, electromagnetic locks, and automatic doors. It may also be used for shunting, bypassing alarms, request to exit, timed functions, and many other applications.

This round switch is made for high frequency usage in both indoor and outdoor environments. dormakaba switches are versatile, and can be supplied in various configurations and finishes to suit any commercial, industrial, or residential application.

Features

- Large, easy-to-operate switches.
- 4-1/2" round faceplates.
- All-active design requires minimal actuation force.
- Meets ADA requirements.
- Durable stainless steel construction.
- Flush mount or surface mount.
- UL/CSA approved switch, rated 15 Amps @ 30V DC.
- Various logos & messages.
- Architectural finishes.

Architects/Engineers specifications

The switches shall be easy to activate, ADA compliant, 4-1/2" round in diameter. Switches shall be all-active, whereby pressing any part of the faceplate will activate the device. Faceplates shall be constructed of 18-gauge stainless steel and have concealed mounting screws for tamper resistance. Switches shall use plastic spacers and rubber dampers for noise reduction. Switches shall be rated at a minimum of 15 Amps @ 30V DC.

Technical specifications

Voltage	12/24V AC/DC
Contact type	SPDT FORM 'C'
Contact rating	15 Amps @ 30V DC
Switch type	Momentary
Dimensions	4-1/2"DIA x 1-3/4"D (114DIA x 44D)
Standard finish	Brushed stainless steel

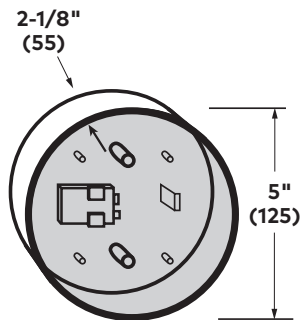
Ordering information

All-active switches are complete ready-to-install assemblies. They are supplied with stainless steel Allen screws and an Allen wrench for mounting.

Mounting boxes

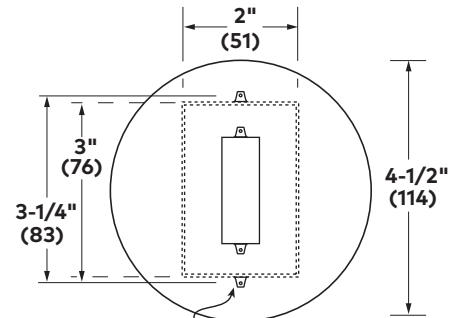
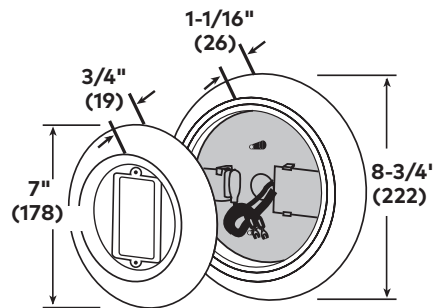
Model DX3330-050

Size	5" round, std. depth
Type	Surface mount box
Construction	Flame and impact resistant black polymer (ABS)
Application	Indoor/outdoor, wired or wireless.



Model DX3330-051

Size	8-3/4" round, 1-13/16" depth
Type	2 pcs. surface or semi flush. Gasket and adapter plate included.
Construction	Flame and impact resistant black polymer (ABS)
Application	Indoor/outdoor, wired or wireless.



TYPICAL STD. SINGLE GANG ELECTRICAL BOX

Faceplate graphic options



DX3330-038
ISA ICON ONLY



DX3330-040
"PUSH TO OPEN" TEXT & ISA ICON



dormakaba USA Inc.
Dorma Drive, Drawer AC
Reamstown, PA 17567
844-SPECNOW
www.dormakaba.us

dormakaba Canada
1680 Courtney Park Dr. Unit 13
Mississauga, ON L5T 1R4
800.387.4938
www.dormakaba.ca