



Rectangular jamb switch

Automatic swinging doors

Description

dormakaba's jamb switches are heavy-duty, ADA-compliant door controls. The 1-3/4" x 4-1/2" rectangular faceplates are stainless steel or solid brass, and the assembly is designed for easy installation directly on the aluminum jamb (or use optional surface box). The N.O. tubular switch requires minimal frame cut out, is rated 3 Amps @ 30V DC, and provides virtually silent operation.

Application

dormakaba's switch is designed for areas where an easy-to-activate, high-visibility switch is desired. Ideal for high-traffic areas, hospitals, wheelchair access, seniors' residences, etc. It can be surface or flush mounted.

Our jamb switch is designed to control electric strikes, electromagnetic locks, and automatic doors. It may also be used for shunting, bypassing alarms, request to exit, timed functions, and many other applications.

The switches are made for high frequency usage for both indoor and outdoor environments. dormakaba's switches are versatile and can be supplied in various configurations and finishes to suit any commercial, industrial, or residential application.

Features

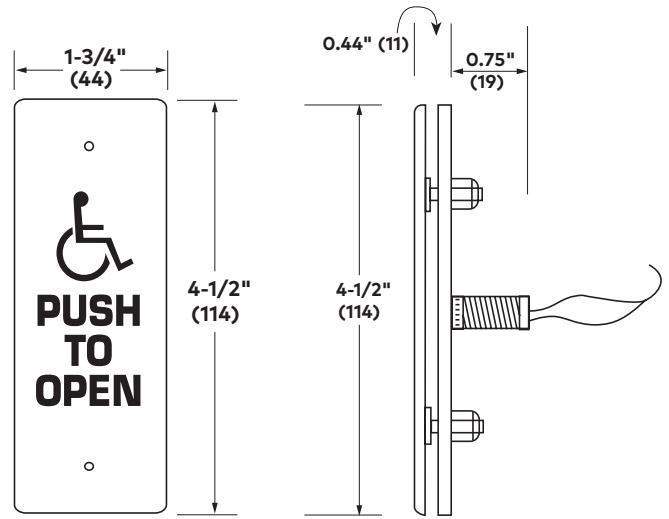
- Mounts in aluminum jamb or in surface boxes.
- Available in vertical format.
- Durable stainless steel construction.
- UL/CSA approved SPST N.O. switch, rated 3 Amps @ 30V DC.
- All-active design requires minimal actuation force and meets ADA requirements.
- Various logos & messages.
- Architectural finishes.

Architects/Engineers specifications

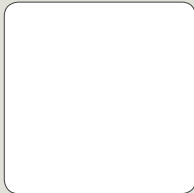
The switches shall be easy to activate, ADA compliant, and all-active, whereby pressing any part of the faceplate will activate the device. Faceplates shall be constructed of 18 gauge stainless steel or solid brass with dimensions of 1 3/4" x 4 1/2", and have concealed mounting screws for tamper resistance. Switches shall use plastic spacers and rubber dampers for noise reduction. Actuating switch shall be of a compact tubular style rated 3 Amps @ 30V DC.

Technical specifications

Voltage	12/24V AC/DC
Contact type	N/O SPST
Switch type	Momentary
Contact rating	3 Amps @ 30V DC
Temp range	-40°F to 140°F (-40°C to +60°C)
Dimensions	4-1/2" x 1-3/4" x 1-3/16" (114 x 44 x 30)
Standard finish	Brushed stainless steel



Faceplate graphic options



DX3330-075
NO TEXT OR ICON



DX3330-076
ISA ICON



DX3330-077
"PUSH TO OPEN" TEXT

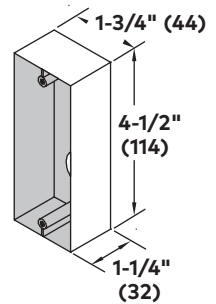


DX3330-078
"PUSH TO OPEN" TEXT & ISA ICON

Mounting boxes

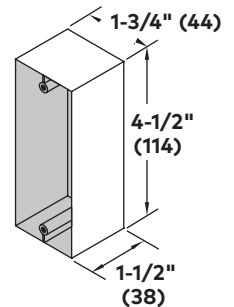
Model DX3330-079

Size	Narrow/Jamb width.
Type	Surface mount box.
Construction	Flame and impact resistant black polymer (ABS).
Application	Indoor/outdoor, wired.



Model DX3330-080

Size	Narrow/Jamb width, extra depth.
Type	Surface mount box.
Construction	Flame and impact resistant black polymer (ABS).
Application	Indoor/outdoor, wired. Required for wireless.



dormakaba USA Inc.
Dorma Drive, Drawer AC
Reamstown, PA 17567
844-SPECNOW
www.dormakaba.us

dormakaba Canada
1680 Courtney Park Dr. Unit 13
Mississauga, ON L5T 1R4
800.387.4938
www.dormakaba.ca