

Three DORMA EM COMFORT electromagnetic locks are shown in a perspective view, arranged from top-left to bottom-right. They are made of brushed metal and feature a black rectangular frame on the front face. Each lock has several screws and a circular hole on its side. A semi-transparent white box with the text "EM COMFORT" and a horizontal line is overlaid on the middle lock. A solid black vertical bar is on the left side of the image.

EM COMFORT

Standard electromagnetic lock

EM COMFORT LINE

Smart and Economic Security

EM Comfort Line (EMC) offers complementing locking solution for security access control systems and emergency exit doors. All locks are fail safe mode, meaning that in the case

of power failure the doors will release ensuring effective emergency exit. Available in all standard holding force fulfilling the majority of security demands.

Benefits

- Simple and economical locking solution
- Durable and anti-corrosion protected
- Easy installation with adjustable mounting plate
- Low power consumption reducing the total ownership costs
- No residual magnetism via anti-residual device
- RoHS and CE certification

Typ	Features					Door Type			
	Holding force	Installation	Voltage 12/24 V DC	Lock status sensor	LED green/red	Single-/ Doubleleaf doors	Outswing doors	Inswing doors	Glass doors
EMC 400 AH	400 lbf	Surface	●	●	-	Single	●	●	●
EMC 600 ALH	600 lbf	Surface	●	●	●	Single	●	●	●
EMC 600 AM	600 lbf	Mortise	●	●	-	Single	-	-	-
EMC 1200 ALH	1200 lbf	Surface	●	●	●	Single	●	●	-
EMC 600-2 ALH	600 lbf x2	Surface	●	●	●	Double	●	-	-
EMC 1200-2 ALH	1200 lbf x2	Surface	●	●	●	Double	●	-	-

Note: The holding force on the door is dependent on the specific type of installation.

Article designations, abbreviations

The article designation indicates the holding force and the characteristics of the lock magnets, e.g. EMC 600 ALH = 600 lbf holding force (EMC 600-2 ALH = 2x 600 lbf holding force) with lock status sensor (A) and status LED (L), designed for surface mounting (H).

A = Lock Status Sensor

A bond sensor will initiate an LED to inform locally or report remotely of lock status (locked or unlocked).

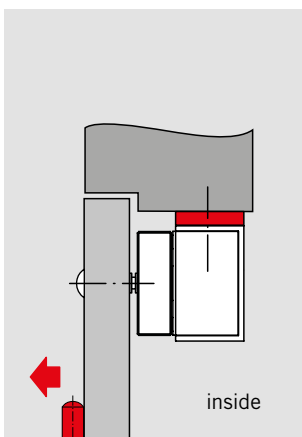
L = LED

Red/ green LED indication of lock status (red= locked, green=unlocked)

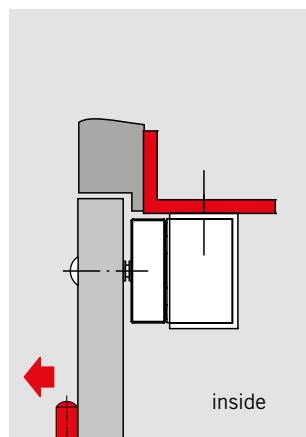
H = Surface mounted

M = Mortise mounted

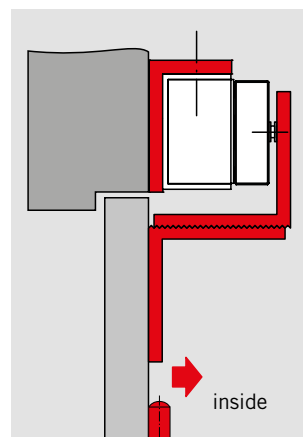
Regular installation



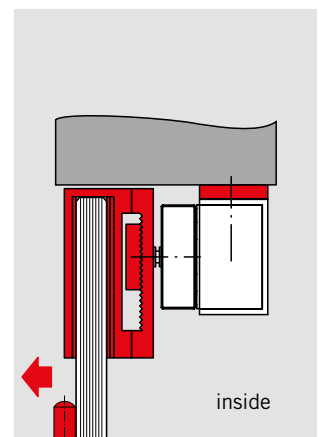
L-bracket for narrow door frame



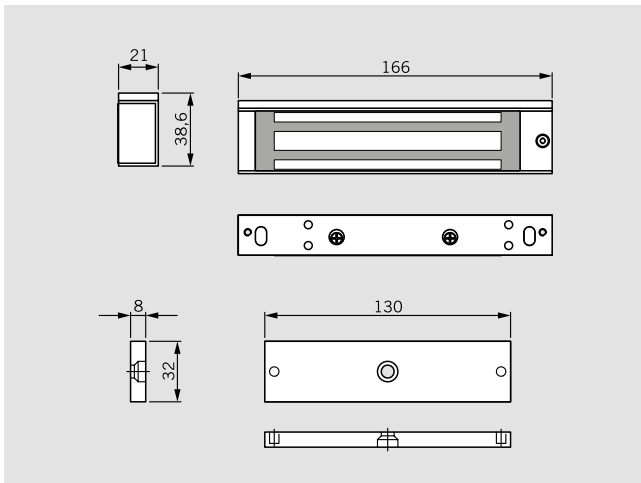
L+Z bracket for inswing doors



U-bracket for frameless glass doors



EMC 400 AH

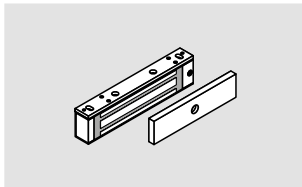


Technical data

Holding force	400 lbf (1779 N)
Installation	Surface mounted
Magnet housing dimensions	166L x 38.6W x 21H mm
Armature plate dimensions	130L x 32W x 8H mm
Operation principle	Fail safe (power to lock)
Power supply	12/ 24 V DC
Current	360 mA/ 180 mA
Lock status sensor	yes
LED indication LSS	no
Operation temperature	-20°C to 55°C
IP class	20
Certification	RoHS, CE
Applicaton	Interior (light internal doors, glass doors, cabinets, drawers, etc.)

Specification text

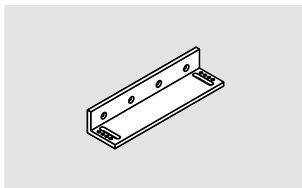
Order No.



EMC 400 AH

Single electromagnetic lock with 400 lbf (1779 N) holding force, surface-mounted, with lock status sensor, anodized aluminium finish

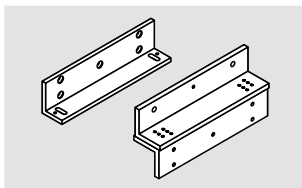
19860500



L-bracket 400

L-bracket for EMC 400 AH

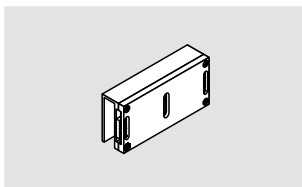
19860520



L+Z bracket 400

L+Z bracket set for EMC 400 AH

19860523

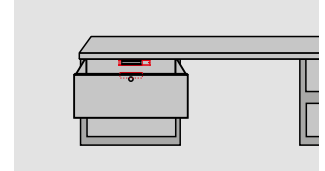
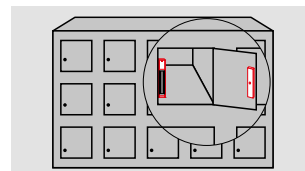
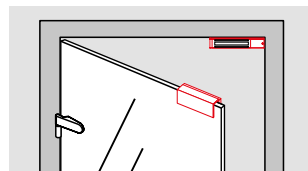
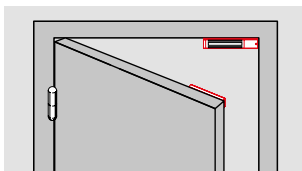


UBG-10/12 for EMC 400 AH

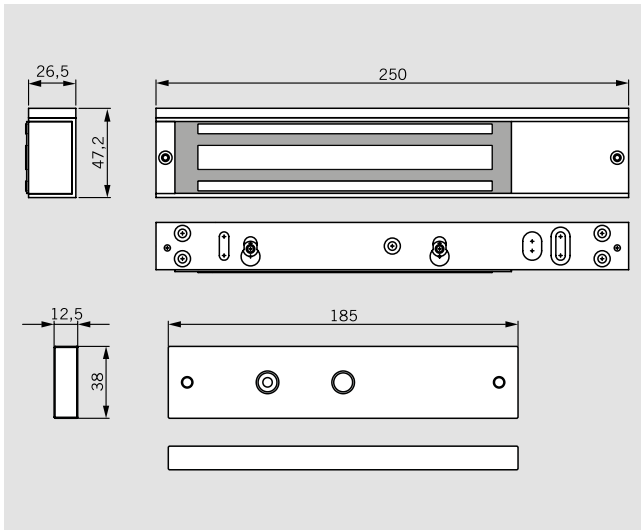
U-formed glass door bracket for fixing armature plate of EMC 400 AH on 10/12 mm thick glass doors

19860528

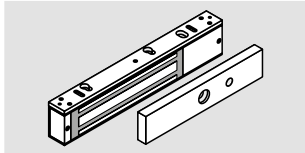
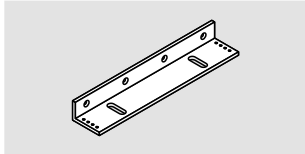
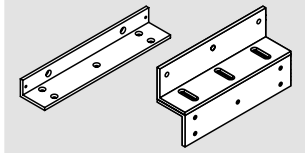
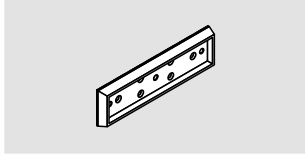
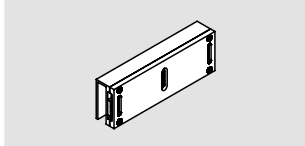
Typical Application



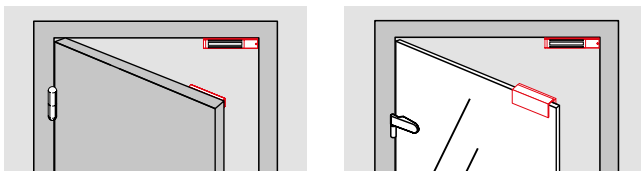
EMC 600 ALH



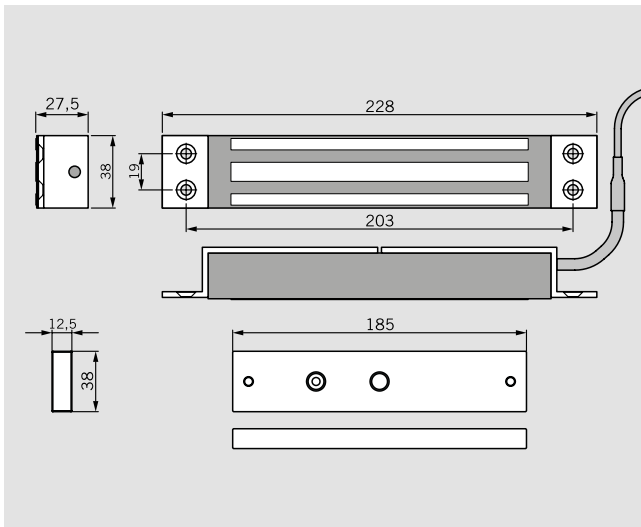
Technical data	
Holding force	600 lbf (2668 N)
Installation	Surface mounted
Magnet housing dimensions	250L x 47.2W x 26.5H mm
Armature plate dimensions	185L x 38W x 12.5H mm
Operation principle	Fail safe (power to lock)
Power supply	12/ 24 V DC
Current	500 mA/ 250 mA
Lock status sensor	yes
LED indication LSS	yes
Operation temperature	-20°C to 55°C
IP class	20
Certification	RoHS, CE
Applicaton	Interior (glass doors, internal swing doors with access control equipment which does not have to be resistant to heavy attacks)

Specification text	Order No.
 <p>EMC 600 ALH Single electromagnetic lock with 600 lbf (2668 N) holding force, surface-mounted, with lock status sensor and red/green LED indicator, anodized aluminium finish</p>	19860501
 <p>L-bracket 600 L-bracket for EMC 600 ALH and EMC 600-2 ALH</p>	19860521
 <p>L+Z bracket 600 L+Z bracket for EMC 600 ALH</p>	19860524
 <p>Armature plate holder 600 Armature plate holder for EMC 600 ALH and EMC 600-2 ALH</p>	19860526
 <p>UBG-10/12 for EMC 600 AH U-formed glass door bracket for fixing armature plate of EMC 600 AH on 10/12 mm thick glass doors</p>	19860529

Typical Application



EMC 600 AM

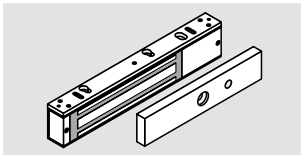


Technical data

Holding force	600 lbf (2668 N)
Installation	Mortise mounted
Magnet housing dimensions	228L x 38W x 27.5H mm
Armature plate dimensions	185L x 38W x 12.5H mm
Operation principle	Fail safe (power to lock)
Power supply	12/ 24 V DC
Current	500 mA/ 250 mA
Lock status sensor	yes
LED indication LSS	no
Operation temperature	-20°C to 55°C
IP class	20
Certification	RoHS, CE
Applicaton	Interior (sliding doors, internal swing doors with access control equipment which does not have to be resistant to heavy attacks)

Specification text

Order No.

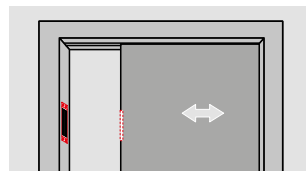
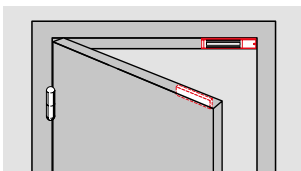


EMC 600 AM

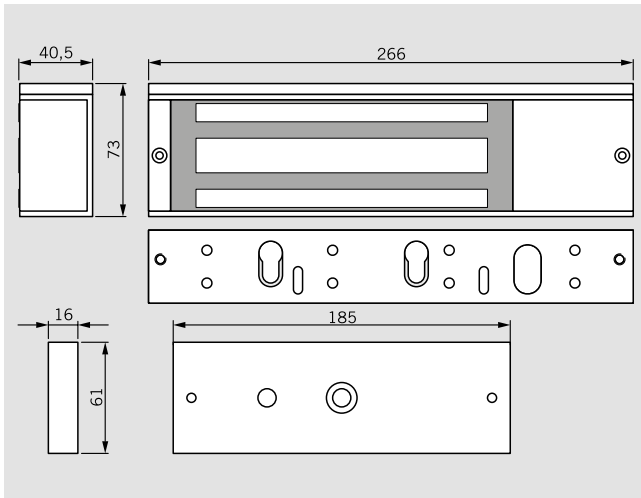
Single electromagnetic lock with 600 lbf (2668 N) holding force, mortise-mounted, with lock status sensor

19860502

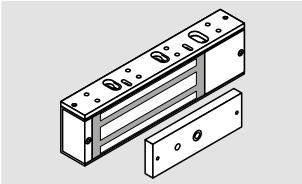
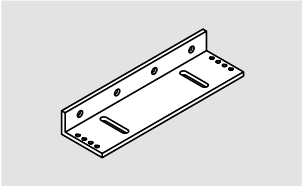
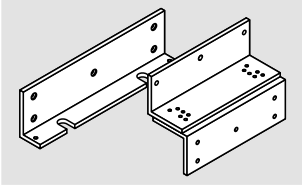
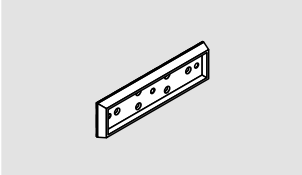
Typical Application



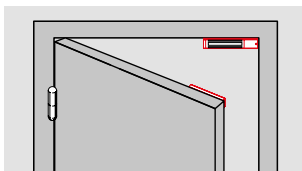
EMC 1200 ALH



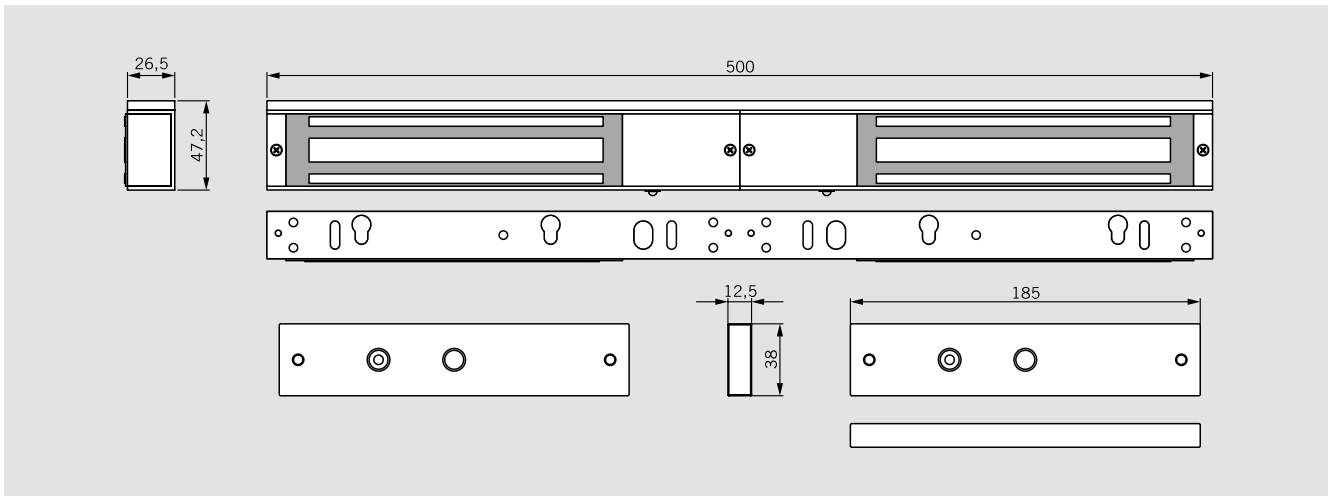
Technical data	
Holding force	1200 lbf (5338 N)
Installation	Surface mounted
Magnet housing dimensions	266L x 73W x 40.5H mm
Armature plate dimensions	185L x 61W x 16H mm
Operation principle	Fail safe (power to lock)
Power supply	12/ 24 V DC
Current	500 mA/ 250 mA
Lock status sensor	yes
LED indication LSS	yes
Operation temperature	-20°C to 55°C
IP class	20
Certification	RoHS, CE
Applicaton	Interior (high resistant swing doors, entry doors fitted with high security access control systems)

Specification text	Order No.
 <p>EMC 1200 ALH Single electromagnetic lock with 1200 lbf (5338 N) holding force, surface-mounted, with lock status sensor and red/green LED indicator, anodized aluminium finish</p>	19860504
 <p>L-bracket 1200 L-bracket for EMC 1200 ALH and EMC 1200-2 ALH</p>	19860522
 <p>L+Z bracket 1200 L+Z bracket for EMC 1200 ALH</p>	19860525
 <p>Armature plate holder 1200 Armature plate holder for EMC 1200 ALH and EMC 1200-2 ALH</p>	19860527

Typical Application

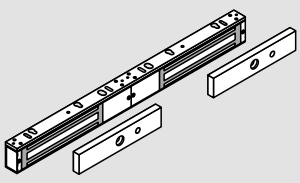
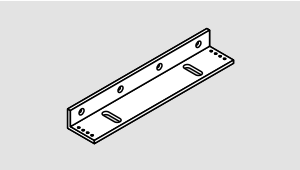
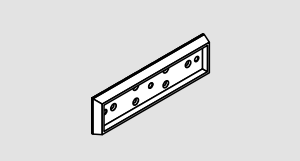


EMC 600-2 ALH

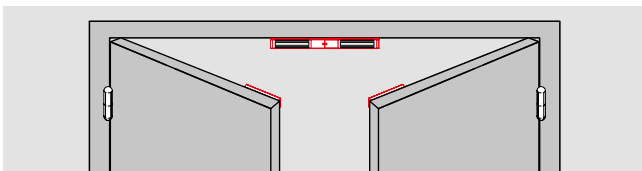


Technical data

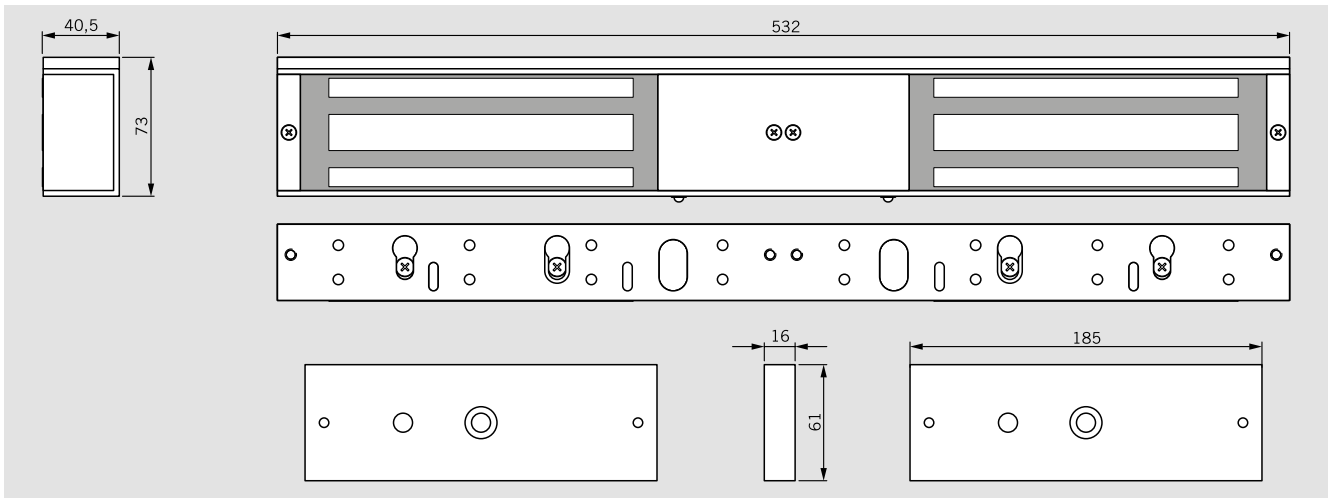
Holding force	600 lbf (2668 N) x 2	LED indication LSS	yes (each magnet)
Installation	Surface mounted	Operation temperature	-20°C to 55°C
Magnet housing dimensions	500L x 47.2W x 26.5H mm	IP class	20
Armature plate dimensions	185L x 38W x 12.5H mm x2	Certification	RoHS, CE
Operation principle	Faile safe (power to lock)	Applicaton	Interior (double-leaf internal swing doors with access control equipment which does not have to be resistant to heavy attacks)
Power supply	12/ 24 V DC		
Current	500 mA/ 250 mA (each magnet)		
Lock status sensor	yes (each magnet)		

	Specification text	Order No.
	EMC 600-2 ALH Double electromagnetic lock with 600 lbf (2668 N) holding force per magnet, surface-mounted, with lock status sensor and red/green LED indicator, anodized aluminium finish	19860503
	L-bracket 600 L-bracket for EMC 600 ALH and EMC 600-2 ALH	19860521
	Armature plate holder 600 Armature plate holder for EMC 600 ALH and EMC 600-2 ALH	19860526

Typical Application

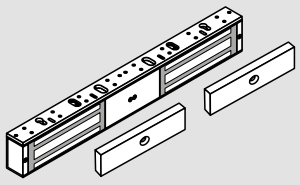
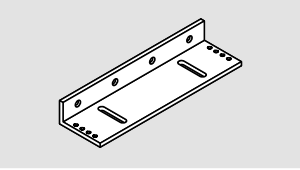
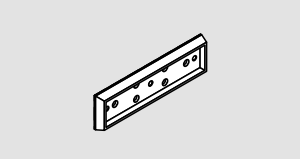


EMC 1200-2 ALH

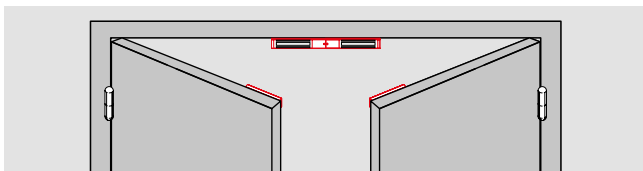


Technical data

Holding force	1200 lbf (5338 N) x 2	LED indication LSS	yes (each magnet)
Installation	Surface mounted	Operation temperature	-20°C to 55°C
Magnet housing dimensions	532L x 73W x 40.5H mm	IP class	20
Armature plate dimensions	185L x 61W x 16H mm x2	Certification	RoHS, CE
Operation principle	Fail safe (power to lock)	Applicaton	Interior (for double-leaf high resistant swing doors, entry doors fitted with high security access control systems)
Power supply	12/ 24 V DC		
Current	500 mA/ 250 mA (each magnet)		
Lock status sensor	yes (each magnet)		

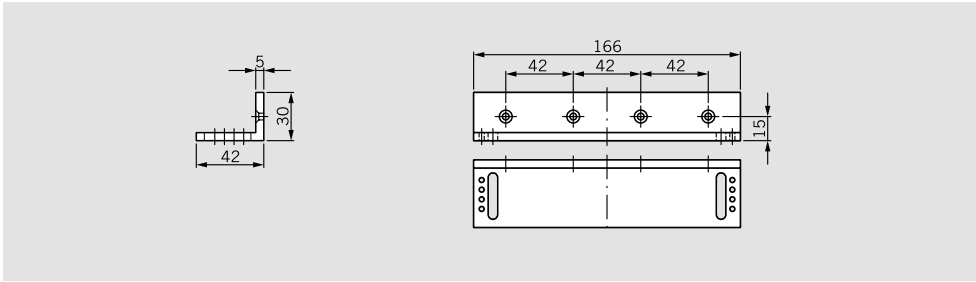
	Specification text	Order No.
	EMC 1200-2 ALH Double electromagnetic lock with 1200 lbf (5338 N) holding force per magnet, surface-mounted, with lock status sensor and red/green LED indicator, anodized aluminium finish	19860505
	L-bracket 1200 L-bracket for EMC 1200 ALH and EMC 1200-2 ALH	19860522
	Armature plate holder 1200 Armature plate holder for EMC 1200 ALH and EMC 1200-2 ALH	19860527

Typical Application

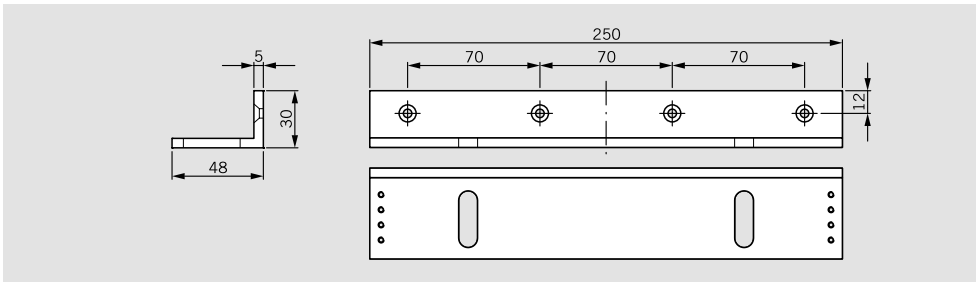


ACCESSORIES

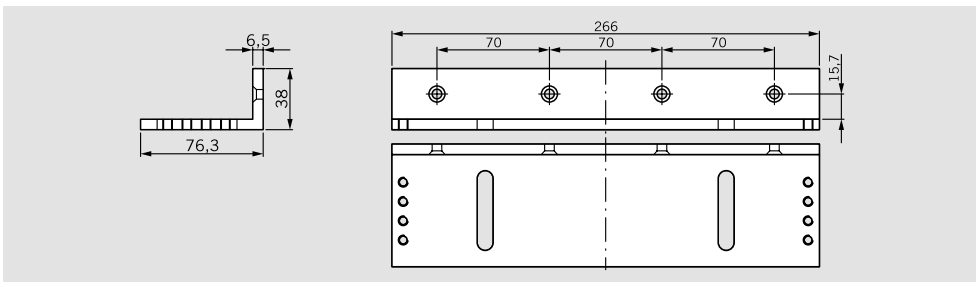
L-bracket 400



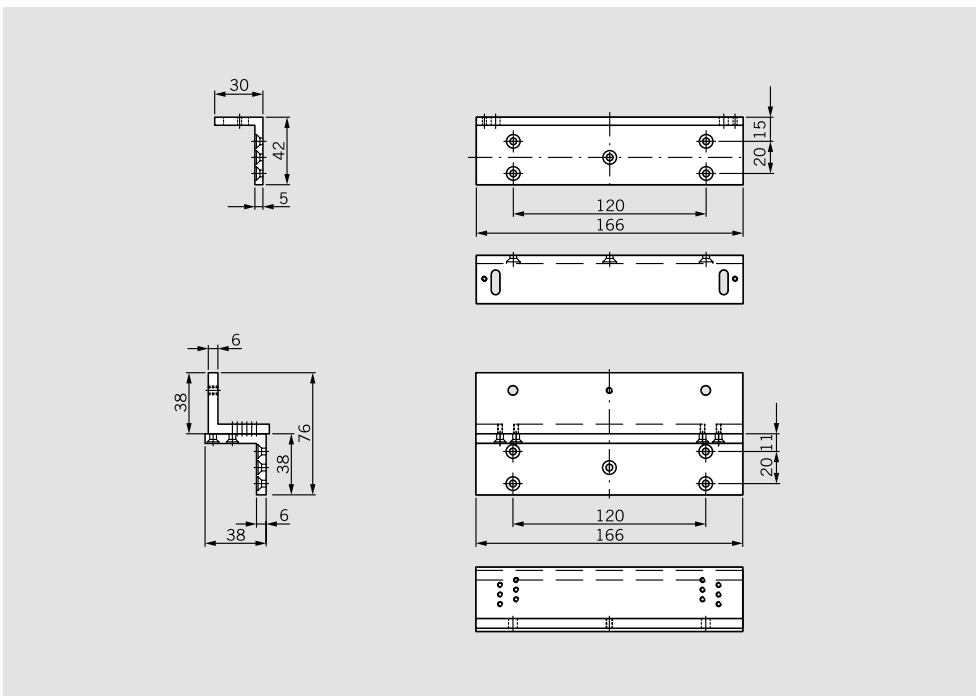
L-bracket 600



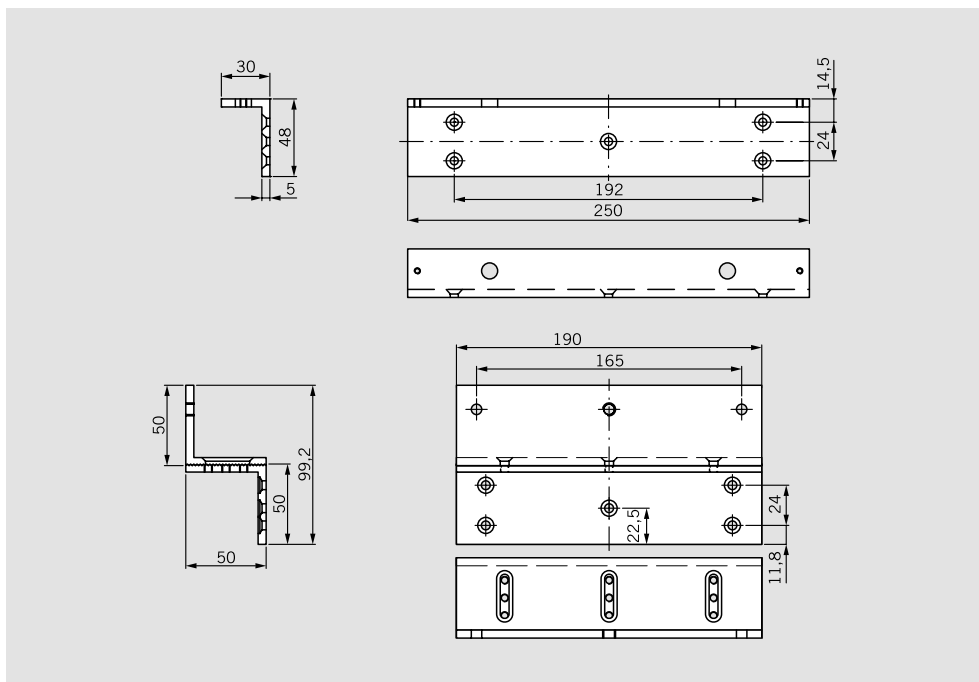
L-bracket 1200



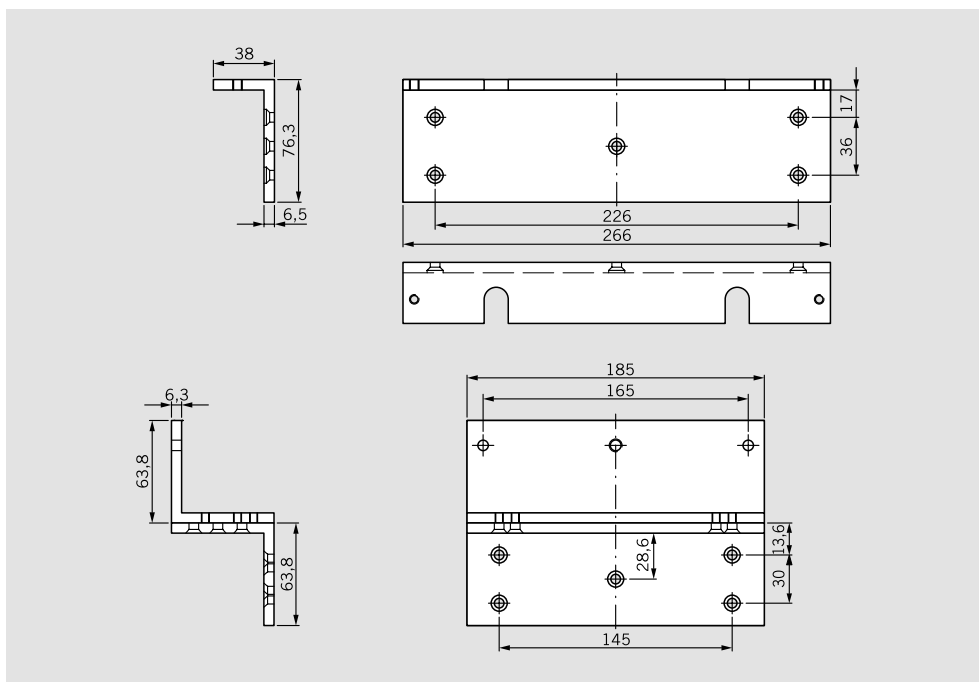
L+Z bracket 400



L+Z bracket 600

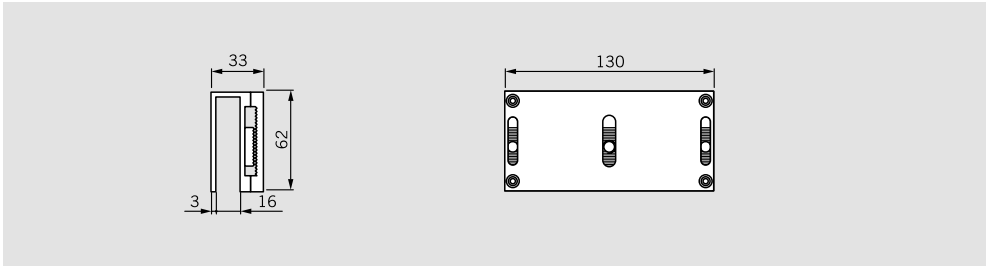


L+Z bracket 1200



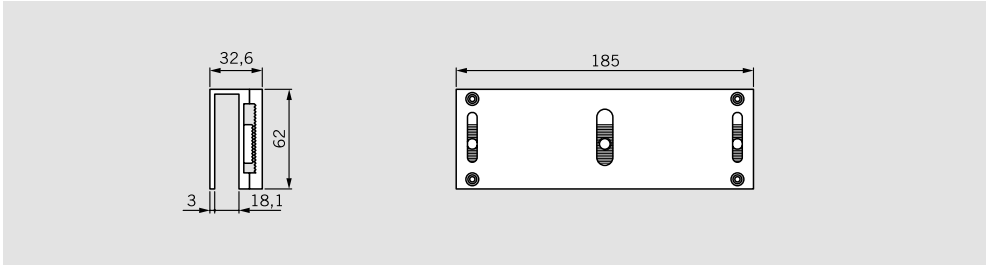
UBG 10/12 for EMC 400

Glass door bracket

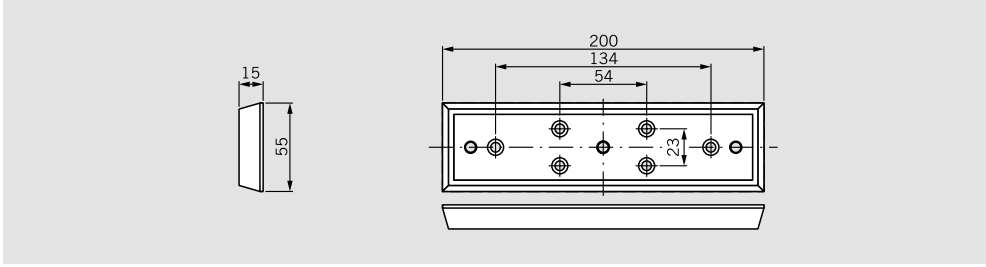


UBG 10/12 for EMC 600

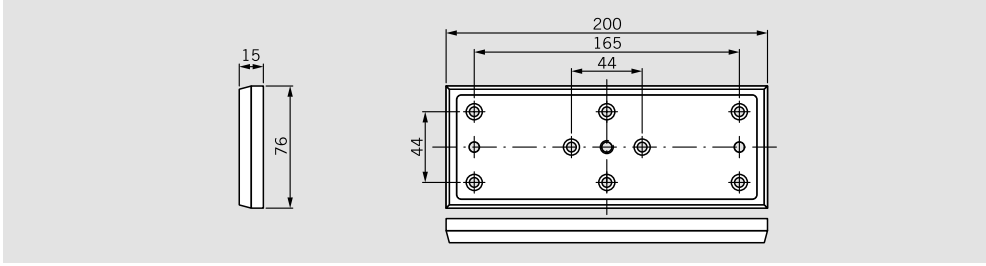
Glass door bracket



Armature plate holder 600



Armature plate holder 1200





DORMA GmbH+Co. KG
DORMA Platz 1
58256 ENNEPETAL
DEUTSCHLAND
Tel. +49 2333 793-0
Fax +49 2333 793-4950
www.dorma.de