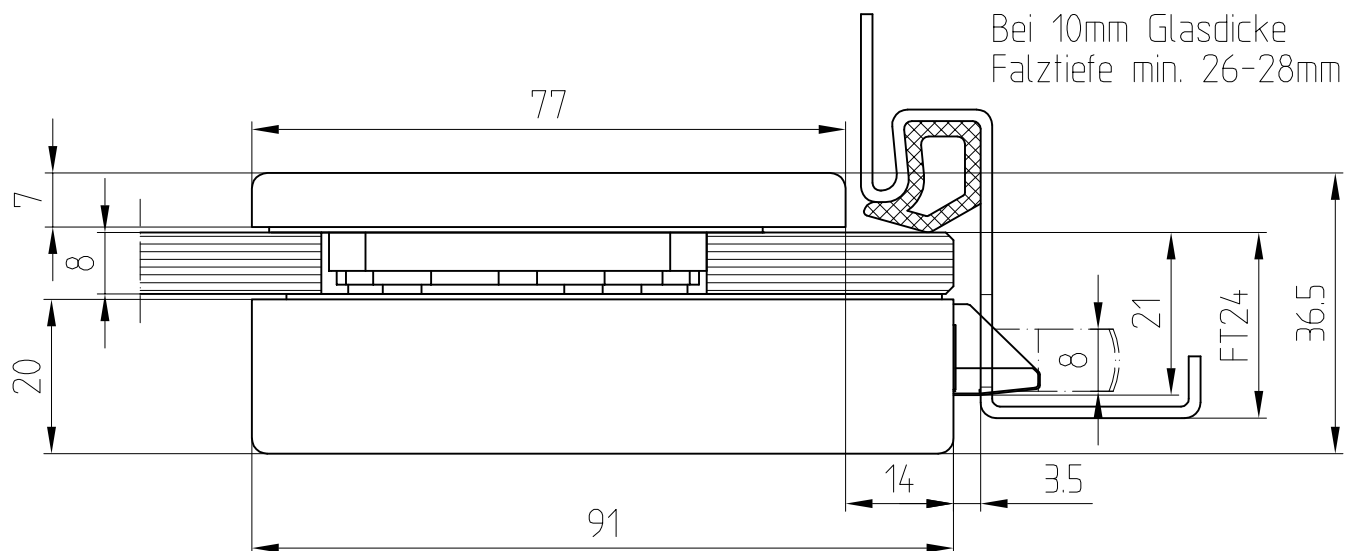
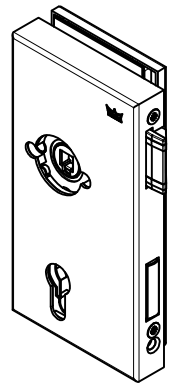
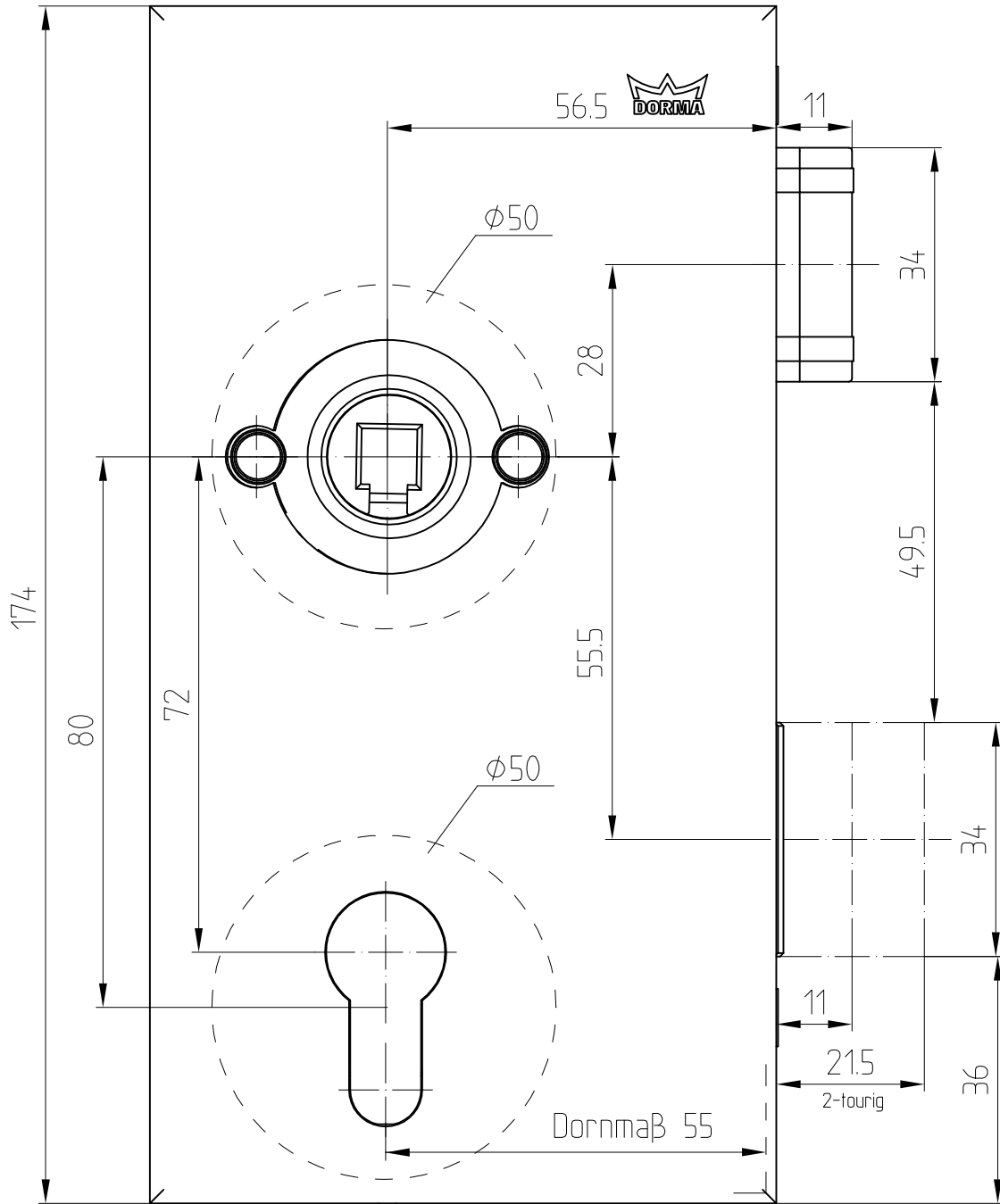


Junior-Office-Schloss, eckig - Art. 11.270/271



11270; 11271



F:\DATEN\DETAIL\11\11-015.DWG

1:1

09.10 005178

11-015