

FGE-M01

optional canopies

Canopies prevent people from climbing over and provide weather protection.

Canopy D1

With trapezoidal sheet cover.

- Hot-dip galvanized steel substructure, trapezoidal sheet cover in RAL 9002 grey-white (optional plastic coating in an RAL color).
- For multiple units we supply one continuous canopy. For four units or more, a central water outlet is required.
- The distance between units is 2" (50 mm).

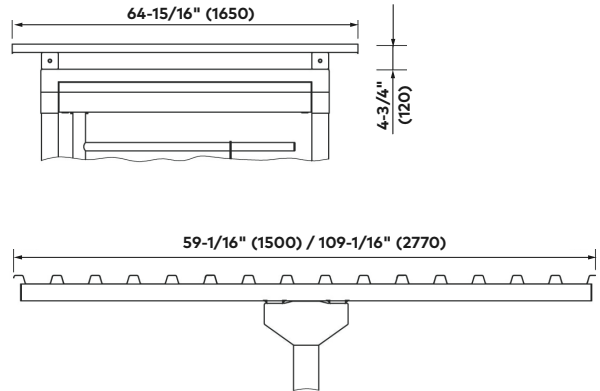
Canopy D1

Depth

59-1/16" (1500) or 89-3/8" (2700)

Total height

64-15/16" (1650)



Canopy D2

With trapezoidal sheet cover, canopy edge profile, and water outlet.

- Hot-dip galvanized steel substructure, trapezoidal sheet cover in RAL 9002 grey-white (optional plastic coating in an RAL color).
- With silver anodized canopy edge and water outlet in grey PVC.
- For multiple units, we supply one continuous canopy. The distance between units is 2" (50 mm).
- The canopy edge is continuous with a length of max. 20' 11/32" (6.4 m).

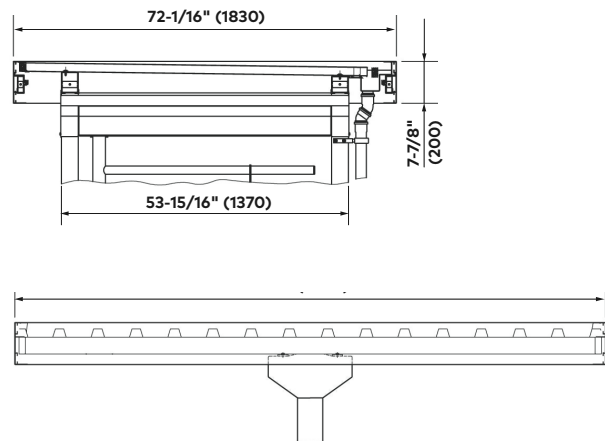
Canopy D2

Depth

111" (2820)
(canopy edge 7-7/8" [200])

Total height

72-1/16" (1830)



Canopy D3

With trapezoidal sheet cover, canopy edge profile, panelling, and water outlet.

- Hot-dip galvanized steel substructure, trapezoidal sheet cover in RAL 9002 grey-white (optional plastic coating in an RAL color).
- With silver anodized canopy edge and water outlet in grey PVC.
- Canopy underside with aluminum cladding in lotus white.
- For multiple units we supply one continuous canopy. The distance between units is 2" (50 mm).
- The canopy edge is continuous with a length of max. 20' 11/32" (6.4 m).

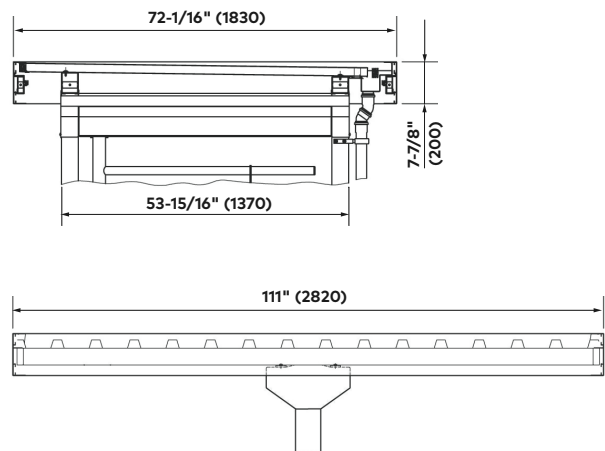
Canopy D3

Depth

111" (2820)
(canopy edge 7-7/8" [200])

Total height

72-1/16" (1830)



Note

Dimensions shown as inches followed by millimeters; for example, 1" (25).