

*LOWER MORTISE CENTERED IN DOOR

DATE: 2/12/18

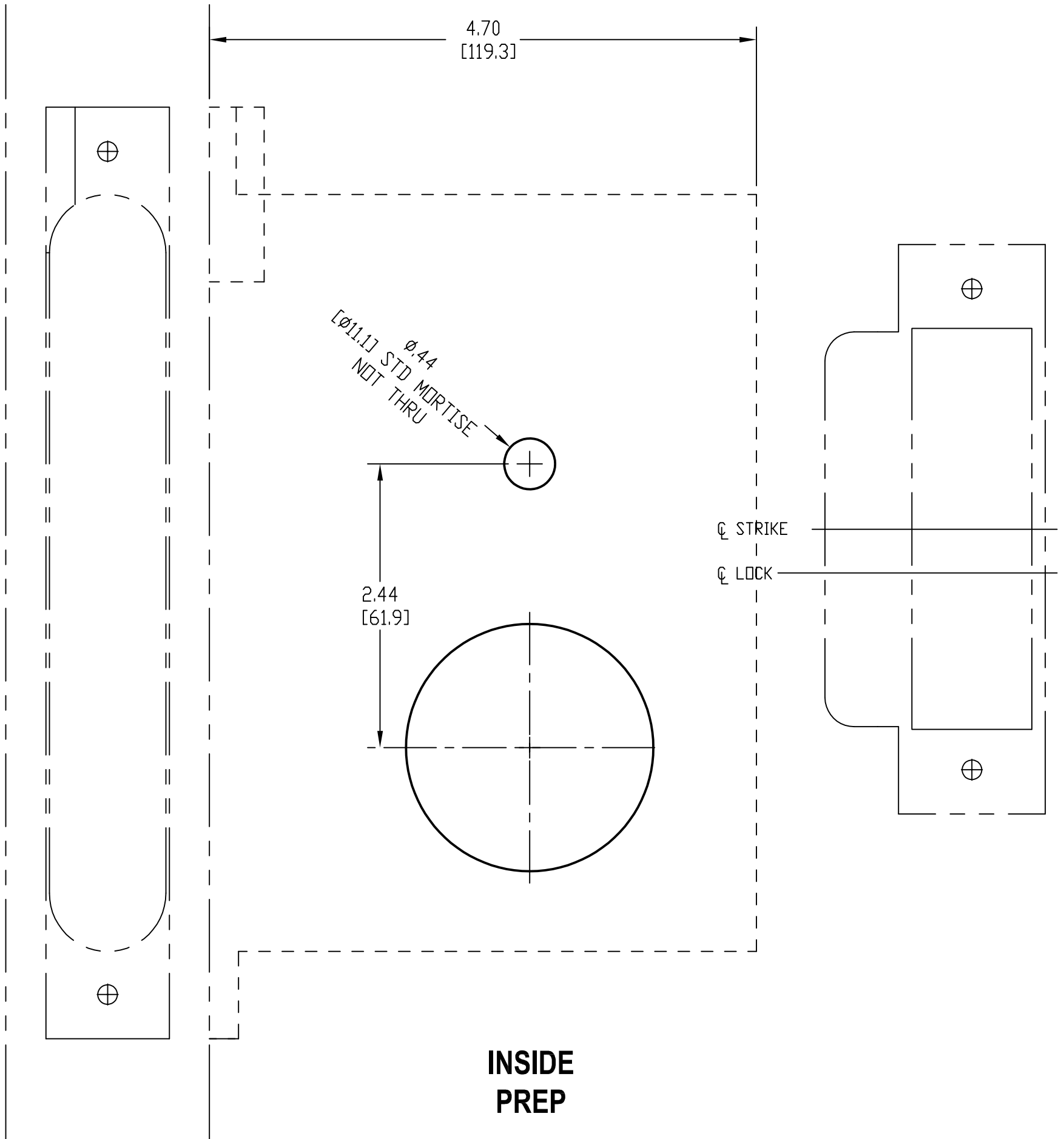
TEMPLATE PART NUMBER/FILENAME:
QTM_PIXEL_O/S_TRIM_MORTISE
NARROW VER: 5 PAGE 1



DIMENSIONAL TOLERANCE: ±.02
 TEMPLATE SCALE IS 1:1 IF THIS MEASURES 1":

**INSTALLATION TEMPLATE NARROW STD
 QUANTUM PIXEL OUTSIDE TRIM/MORTISE**

DOOR EDGE
VIEW



INSIDE
PREP

DATE: 2/12/18

TEMPLATE PART NUMBER/FILENAME:
QTM_PIXEL I/S TRIM
NARROW VER: 5 PAGE 2

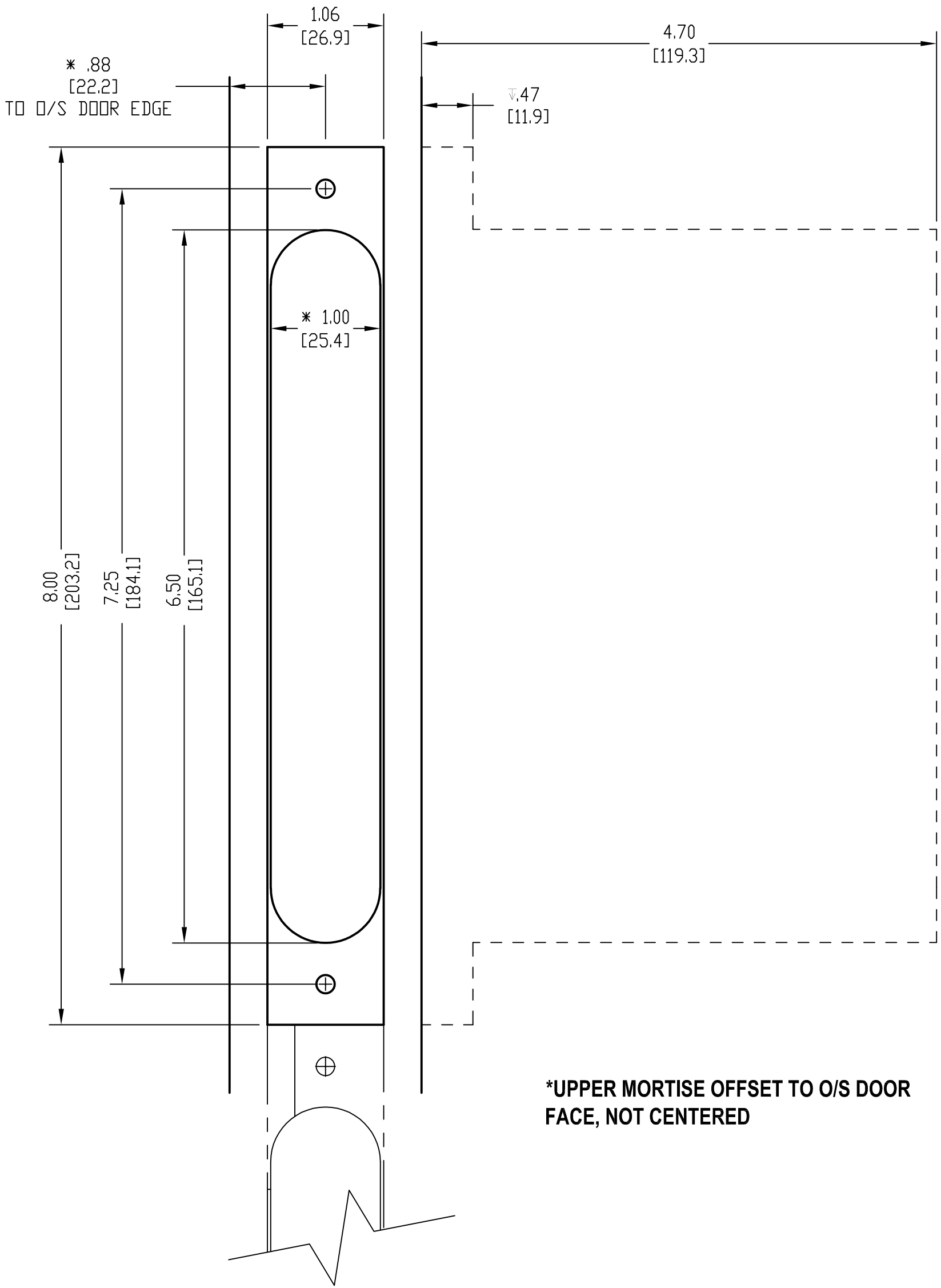


DIMENSIONAL TOLERANCE: $\pm .02$

TEMPLATE SCALE IS 1:1 IF THIS MEASURES 1":

INSTALLATION TEMPLATE NARROW STD QUANTUM PIXEL INSIDE TRIM

DOOR EDGE
VIEW



***UPPER MORTISE OFFSET TO O/S DOOR
FACE, NOT CENTERED**

DIMENSIONAL TOLERANCE: ±.02

TEMPLATE SCALE IS 1:1 IF THIS MEASURES 1":

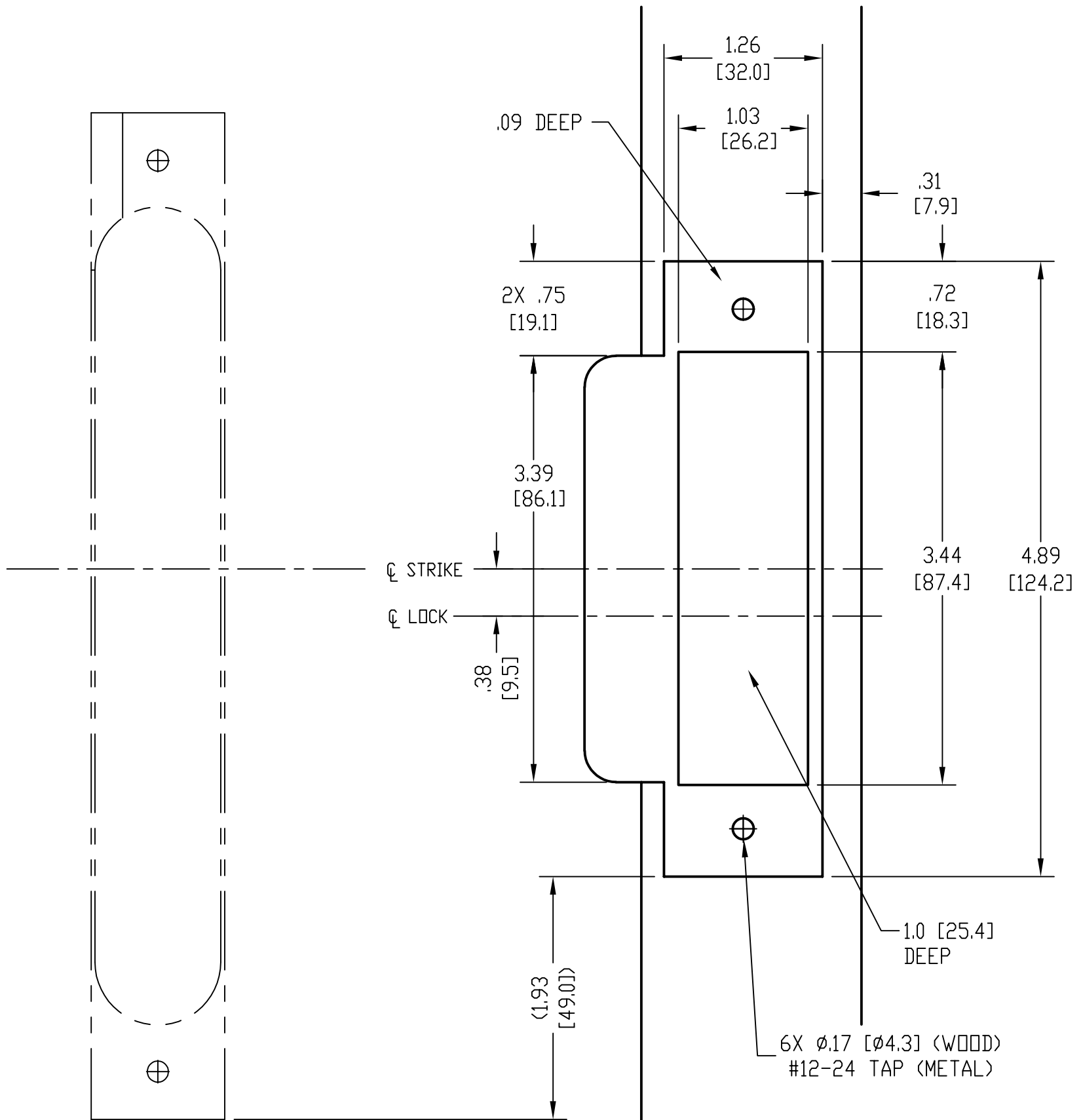
DATE: 2/12/18

TEMPLATE PART NUMBER/FILENAME:
QTM_PIXEL_UPPER_MORTISE_POCKET
NARROW VER: 5 PAGE 3



**INSTALLATION TEMPLATE NARROW STD
QUANTUM PIXEL UPPER MORTISE POCKET**

DOOR FRAME
VIEW



DIMENSIONAL TOLERANCE: \pm .02

TEMPLATE SCALE IS 1:1 IF THIS MEASURES 1":

DATE: 2/12/18

TEMPLATE PART NUMBER/FILENAME:
SAFLOK 4-7/8" STRIKE PREP
VER: 5 PAGE 4

INSTALLATION TEMPLATE
TYPICAL 4-7/8" STRIKE PREP

