



Mobile Access



Wireless

dormakaba c-lever air

The flattest electronic door furniture

Elegant and compact design

Control access to the right areas at the right times with dormakaba's c-lever air - the electronic door furniture as slim as a door plate.

The c-lever air meets high aesthetic and functional demands for your access control. A special feature is its thin door leaf design, which at 10.5 to 11.5 mm, makes it possible to continue using existing lock cylinders. Its flat design has already received multiple awards.

The c-lever air is part of the dormakaba evolo standalone portfolio. No wiring is required within the door because the unit is operated with two standard batteries. Combined with lever handle elements on the inside, the same look can be obtained on all doors.

Latest technology

The c-lever air can be integrated into all dormakaba system solutions and supports the latest RFID technologies.

With the optional wireless function, access rights can be easily transmitted from your computer to the components via a wireless gateway. This function offers many advantages, such as in terms of security, programming and maintenance.

Ready to use

The c-lever air can be used on inside doors, such as in design-oriented architecture, in modern offices or museums and galleries.

Advantages at a glance

- Award-winning product – most compact dimensions
- Standalone or wireless mode catered to your preference
- Optional Mobile Access function: receive access rights via the dormakaba app to your smartphone and use it as your access medium

Any questions? We would be happy to assist you and look forward to hearing from you.

dormakaba ASEAN
Info.ASEAN@dormakaba.com
www.dormakaba.com.sg

Reach us instantly!



Features

Easy to use – high performance

Open the door as usual, with a range of device options such as a card, key fob, a key with RFID or even your smartphone – the digital lighting unit will flash green after you present your access medium, and open the door with a gentle push on the lever handle.

Installation

The c-lever air can be installed indoors on narrow stile or solid leaf doors made of wood or metal. It only takes a few minutes. Please follow the operating instructions, which contain more information on technical data, tests and maintenance.

Programming

The c-lever air is suitable for single doors but also as part of a large-scale master key system. Choose from the following programming options:

- Authorisation in the component:
 - with the programming card
 - with the smartphone app (evolo smart)
 - with the system software and transfer of access rights via the programming device
 - conveniently from your desk via the wireless function.
- Authorisations on the access medium – programming of the door components on site is not necessary. Optionally available with:
 - CardLink
 - AoC (Access on Card)
 - OSS-SO (Open Security Standards – Standard Offline)
 - Mobile Access: access with your smartphone via Bluetooth® or Near Field Communication (NFC)

Essential features

The firmware supports all dormakaba system solutions and offers the following main functions:

- Number of access media:
 - with whitelist up to 4,000
 - with CardLink or AcC practically unlimited
- Internal clock and configurable time profiles
- Time-limited assignment of access rights (validation)
- Audit trail of the last 2,000 events (can be disabled)

A universal portfolio

Our range includes a variety of combinable products in the same high-quality design. They can be seamlessly integrated into mechanical, standalone or online dormakaba systems.

Note: The scope of this product's functions depends on the system environment selected. Certain options might not be available.

You can find further details and order information in the relevant dormakaba catalogue or in the system description.

Technical information

Supported standards

- LEGIC (advant & prime)
- MIFARE (DESFire & Classic)
- OSS-SO Version 2017-10 (LEGIC advant, MIFARE DESFire)

Types

- Wide version (for solid leaf doors) and narrow version (for hollow profiled doors)
- Euro profile, Swiss round profile
- Centre distance (version-dependent):
 - Wide: 70 to 78 mm;
 - Narrow: 70 to 94 mm
- Lever handle: standard (8906), U-shaped (8906V), designer (8115), U-shaped (8116V)

Options

- Black or white cover
- Available lever handle designs
- Available functions: wireless, Mobile Access

Dimensions (W x H x D)

- Wide shield: 52 x 180 x 10.5 mm
- Narrow shield: 40 x 282 x 11.5 mm
- Door thicknesses 35 to 110 mm

Power supply

- Two batteries 1.5 V AA L91, FR6

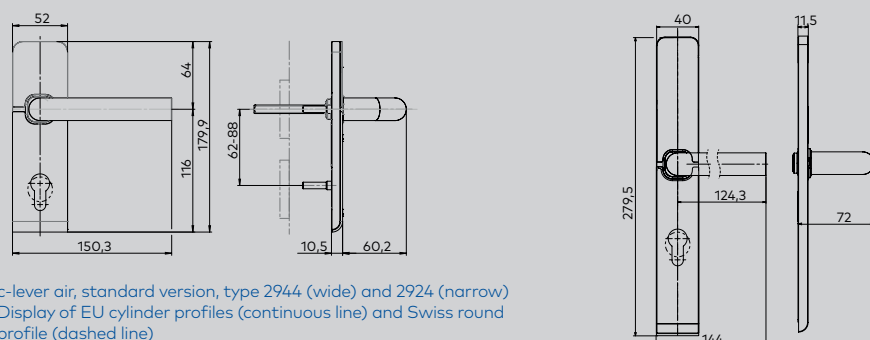
Environment/service life

- Temperature: - 20 °C to + 55 °C
- Protection class: IP54
- Humidity: 0 % to 90 % rH, non-condensing
- Service life of batteries at 20 °C: up to 120,000 cycles or up to 3 years

Certificates

- DIN 18273 (tested in accordance with EN 1634-1, in preparation)
- Emergency exit: EN 179 (with corresponding locks and handles)
- Electronic door furniture: classification 37-B14D00 according to prEN 16867 (in preparation)

Subject to changes without prior notice.
Version 08/2019. © 2019 dormakaba.



c-lever air, standard version, type 2944 (wide) and 2924 (narrow)
Display of EU cylinder profiles (continuous line) and Swiss round profile (dashed line)

