

# HSB-S05 sensor barriers

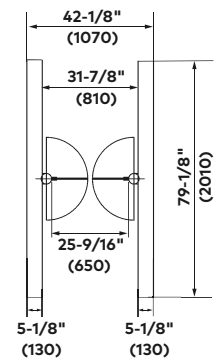
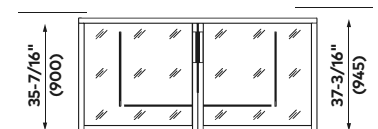
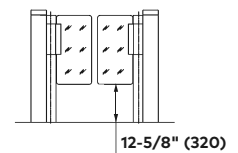
## Premium



**Premium** units offer tailgating monitoring. The enhanced sensor system includes luggage and child detection.

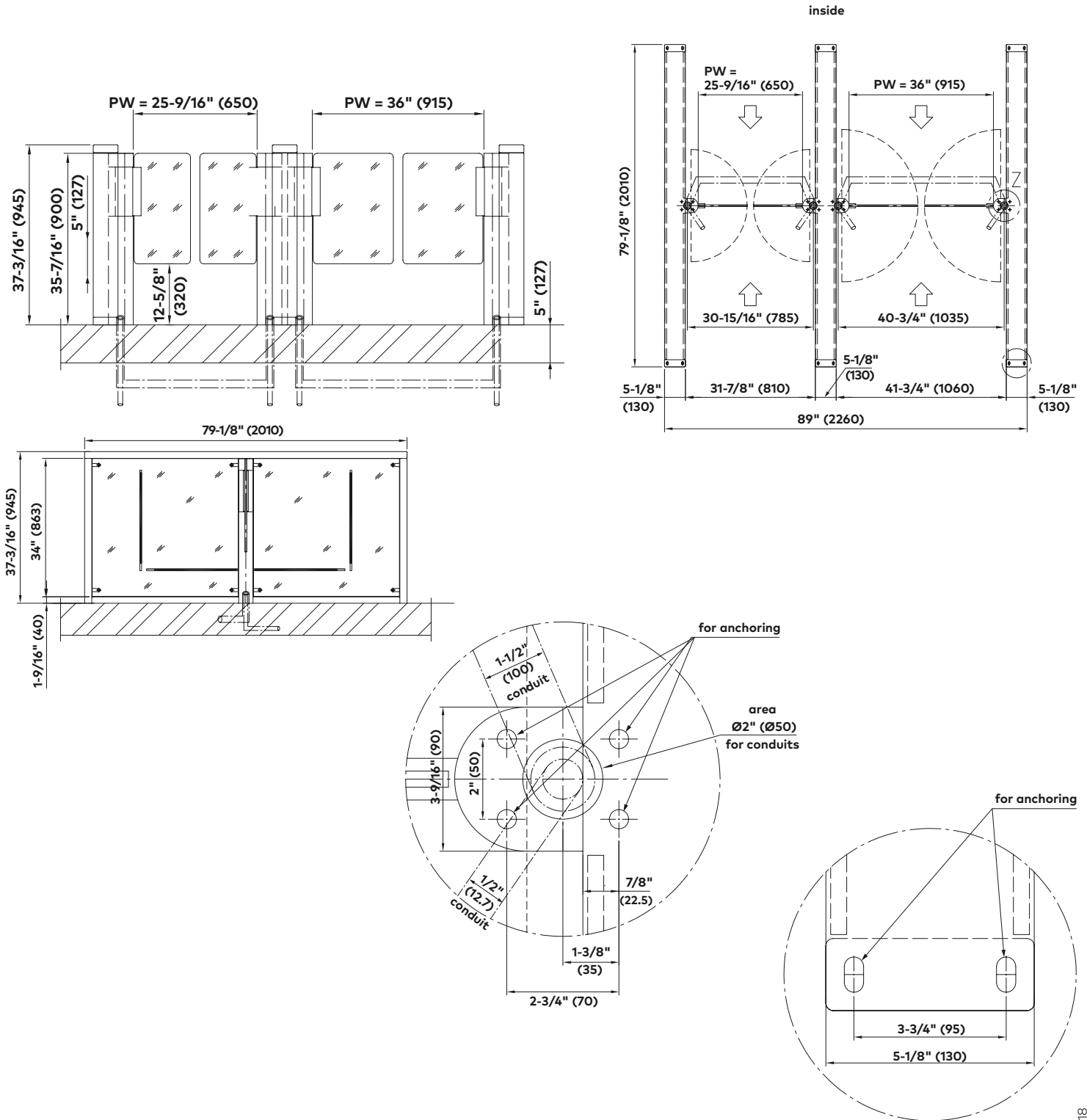
Standard units	HSB-S05
	<b>Note:</b> Description of single unit
Interlock height	37-3/16" (945)
Interlock length	79-1/8" (2010)
Passage width	25-9/16" (650)
Total width	42-1/8" (1070)
Housing, base columns, guiding elements	Rectangular AISI 304 stainless steel posts with 5/16" (8) satin-finished toughened safety glass panel and AISI 304 stainless steel handrail as well as horizontal and vertical sensors integrated in the guiding elements.
ADA compliance	36" (915) width available.
Barrier elements	Two door leaves made of transparent polycarbonate, upper edge 35-7/16" (900). Swinging area monitored by separation sensors.
Security	Passage area monitored by enhanced sensor system with an optimized installation length and arrangement (increased level of single passage monitoring in both directions). Integrated sneak-by guard, detection of children and luggage or rolling cases.
Finish	Stainless steel semi-gloss smooth finish.
Safety	Low energy drive with energy content less than 1.18 lb/ft.
Function	Type 2-power assisted motion; two servo-positioning drives/ electrically controlled in both directions.
Drives	Integrated in the swing tube.
Operating modes	Optical. Normally closed. Normally opened. (Barriers close on tailgate event.)
Electrical equipment	Control system and power supply integrated in the unit.
Power supply	110 – 230 VAC, 50/60 Hz. 368 VA
Standby power consumption	17 VA
Standard adjustment in case of power failure	Door leaves move freely.
Installation	Dowelled on finished floor level, FFL. Not suitable for outdoor installation.
Protection classes	Housing IP32, components conducting supply voltage IP42.

HSB-S05



# HSB-S05

## Installation drawings



dormakaba USA Inc.  
 Dorma Drive, Drawer AC  
 Reamstown, PA 17567  
 844.SPECNOW  
 www.dormakaba.us

**Note**

Dimensions shown as inches followed by millimeters; for example, 1" (25).