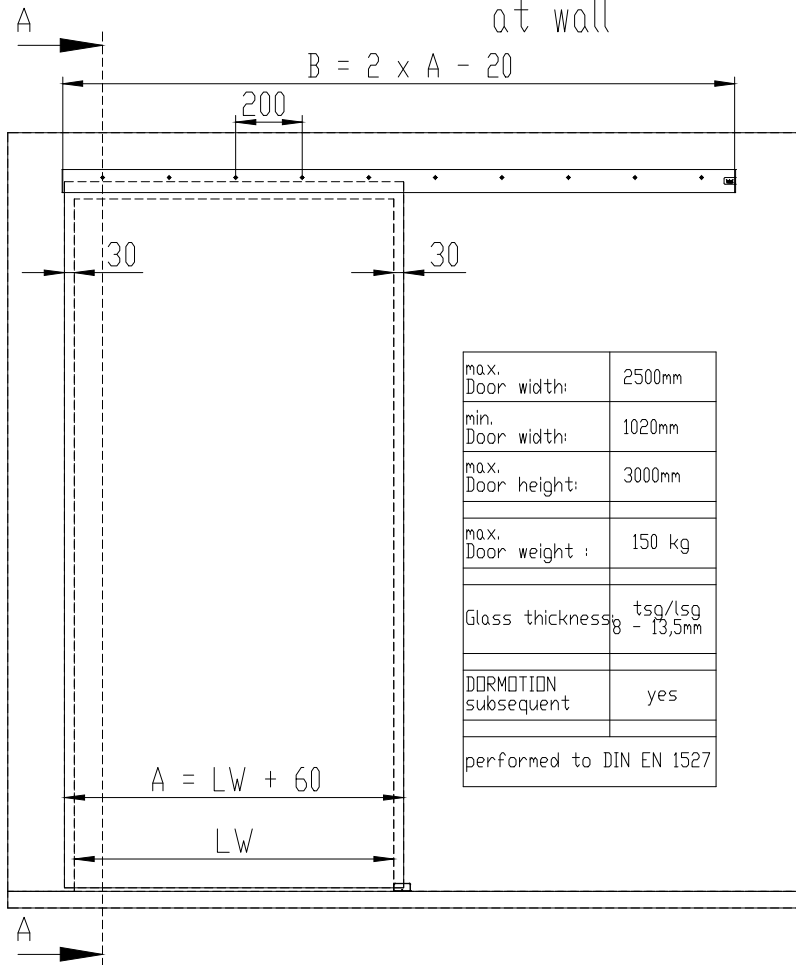
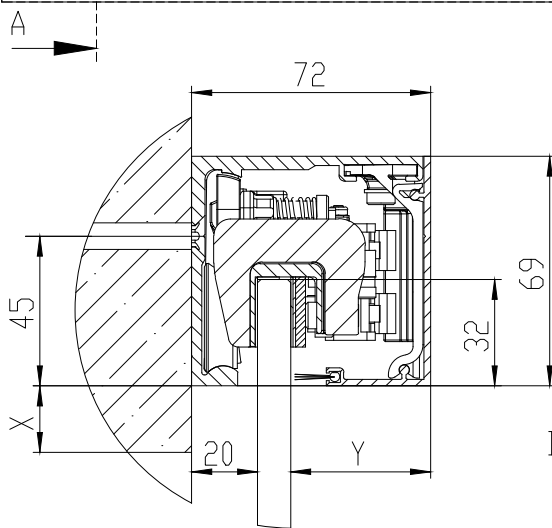
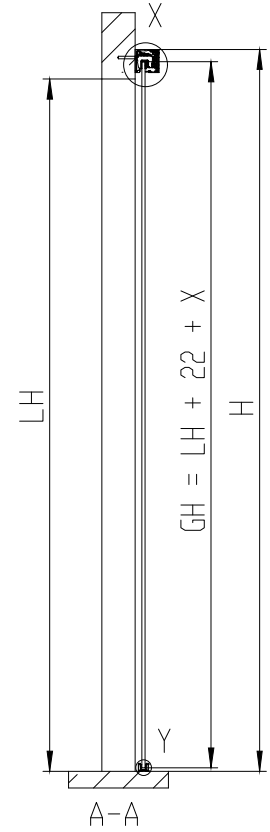


# MUTO Comfort XL DORMOTION 150 fixed at wall

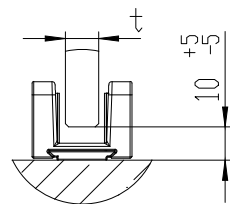
**DORMA**  
36.509  
36.510  
36.521



max. Door width:	2500mm
min. Door width:	1020mm
max. Door height:	3000mm
max. Door weight :	150 kg
Glass thickness <sub>B</sub>	t <sub>sg</sub> /l <sub>sg</sub> - 13,5mm
DORMOTION subsequent	yes
performed to DIN EN 1527	

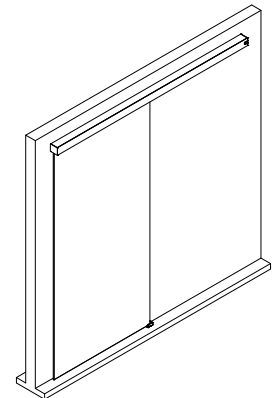


Detail X (1 : 2)



Detail Y (1 : 2)

A	Glass width
B	length of track
GH	Glass height
H	total height
LH	clear opening height
LW	clear opening width
t	Glass thickness sliding door
Y	$72 - 20 - t$



C:\Workspace\EDM\04 Projects\Innovation\MUTO COMFORT\60\_DAS DETAIL\MUTO COMFORT XL DORMOTION 150 fixed at wall.sldprt

1:20

04.2015