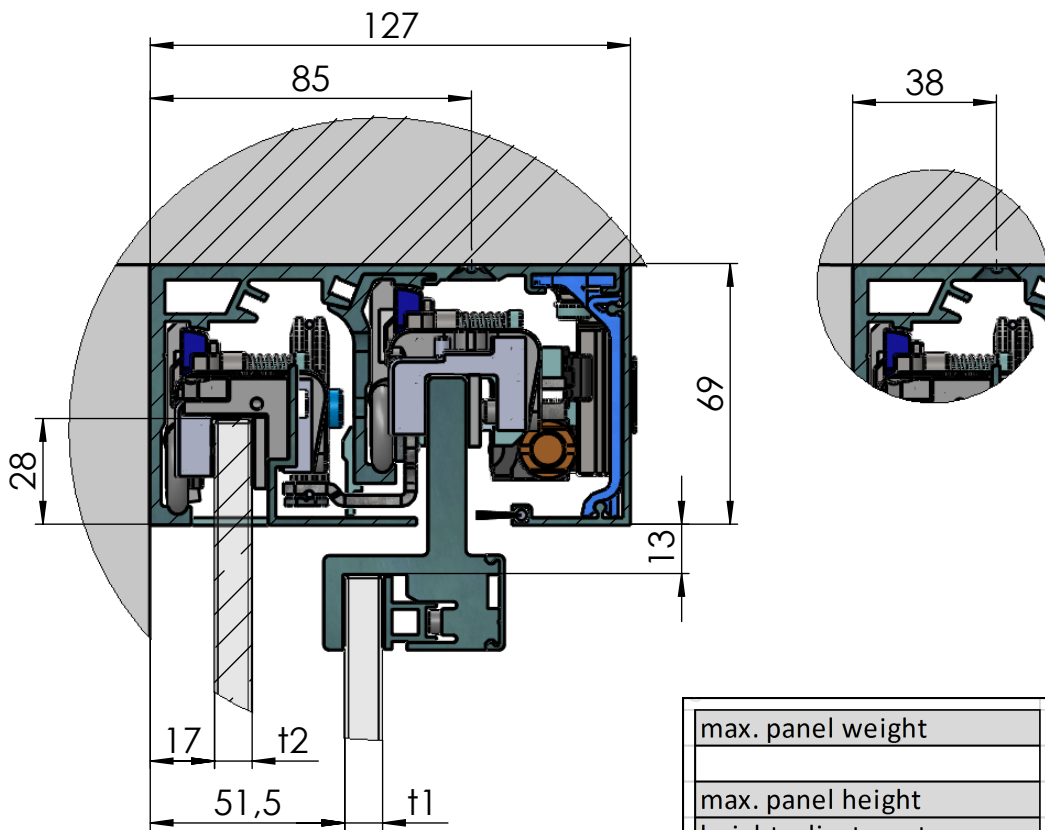


MUTO Comfort Teleskop cross section 2 and 4 panel / fixed at ceiling



max. panel weight	2x80 / 4x80	kg
max. panel height	3000	mm
height adjustment	+5 / -3	mm
max. panel width	1200	mm
DORMOTION	optional	
glass thickness TSG	8/10/12	mm
glass thickness LSG	10,8 -13,5	mm
tested according to EN 12400 class 5		

