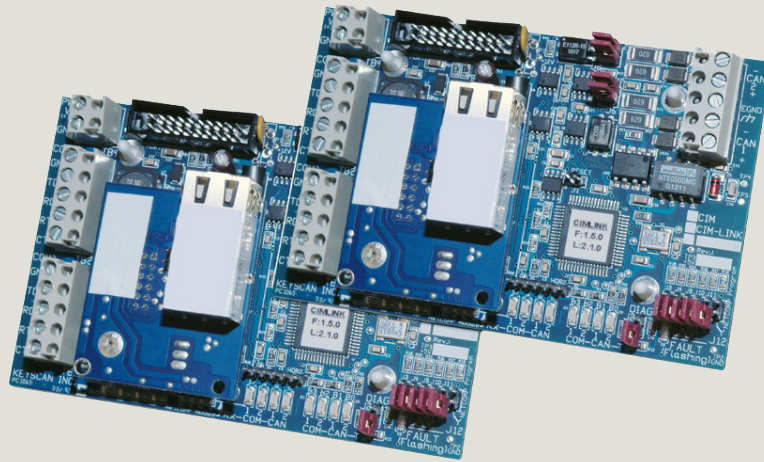


# Keyscan CIM Link



## Global Network Connectivity Module

A simple way to incorporate multiple CIM communication loops into a single global infrastructure.

Keyscan CIM-Link is a TCP/IP companion module, which incorporates multiple CIM CAN Bus communication loops into a single global infrastructure. This promotes even greater global communication flexibility. Keyscan's CIM-Link module extends CAN Bus based ACU to ACU communication via a common LAN/WAN network. This maximizes system design options by expanding ACU to ACU functionality to multiple independent CAN Bus global networks utilizing common LAN/WAN (TCP/IP) infrastructure.

### Ground Loop Tolerance

Maximizes electrical isolation to earth ground providing tolerance against ground loops.

### Enhanced Diagnostics

Provides a myriad of communication diagnostics annunciated with on-board LEDs for quick and easy device-based troubleshooting.

### Network Adaptation

Uses Keyscan's plug-on TCP/IP network adapter NETCOM2P/6P

### TCP/IP Tunneling

Ensures uninterrupted and re-connect continuous communication between CIM-Links.

### Network Support

Supports global functions between groups of multiple ACU panels or between a single ACU panel over an existing LAN/WAN network.

### Global Communication

Utilizing the CAN Bus network, the CIM-Link delivers global communication capabilities. Access Control Units with direct connectivity with the CAN Bus network now provide ACU to ACU communication without server dependence.

### Ribbon Cable

Uses a simplified ribbon cable for fast installation.

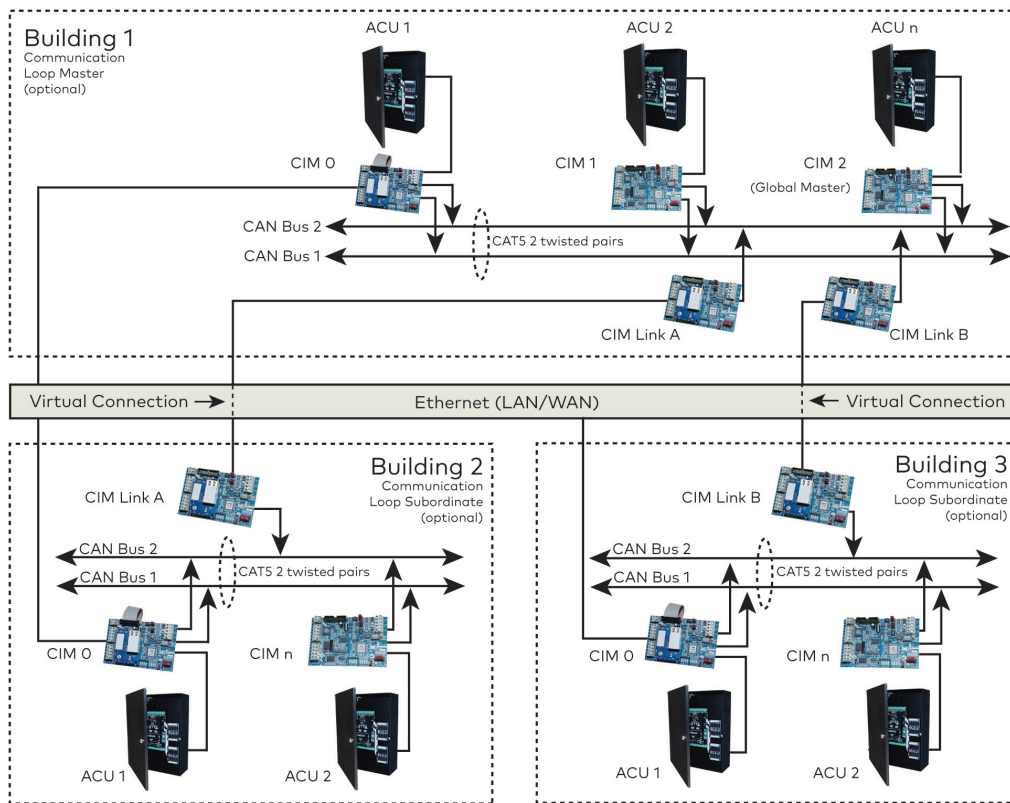
### Fault Tolerance

Unlike traditional communication devices, if one Keyscan CIM-Link goes down due to unforeseen circumstances, it won't take the entire loop down with it. The CAN Bus communication protocol offers non-interrupted communication of remaining devices on the CAN Bus network.

# Specifications

Operating Voltage	12 VDC
Current Draw (CIM-Link)	290 mA (each)
Dimensions	4 5/8" x 3" (11.7 cm x 7.6 cm)
Operating Environment	32 F - 140 F (0 C - 60 C)
Topology	Linear
Network	Requires LAN/WAN (TCP/IP) infrastructure
Network support	Standard, Encrypted
CAN Bus	Requires connection to CAN Bus 2 ACU to ACU global communication
Firmware	Minimum EPROM versions 7.40/8.20
Software	Aurora (All) System 7.0.16 or higher Vantage 8.1.15 or higher

## Typical Applications - Connecting multiple CIM communication loops



© dormakaba Canada Inc. (2018). Information on this sheet is intended for general use only. dormakaba Canada reserves the right to alter designs and specifications without notice or obligation. Printed in Canada.

dormakaba Canada Inc.  
901 Burns St., E.,  
Whitby, Ontario  
Canada L1N 0E6

1 888 539 7226

www.dormakaba.us

KKT2052 2018-07