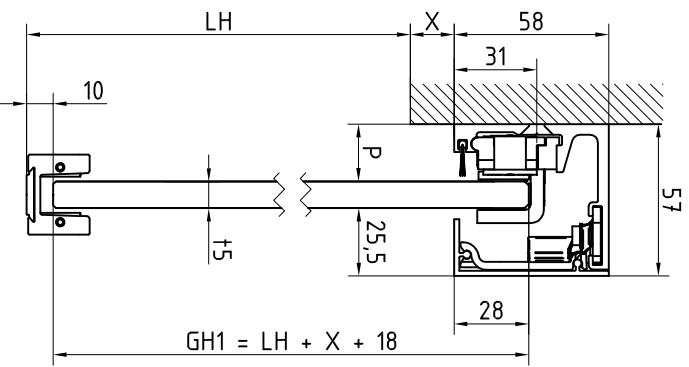


MUTO Comfort M 60

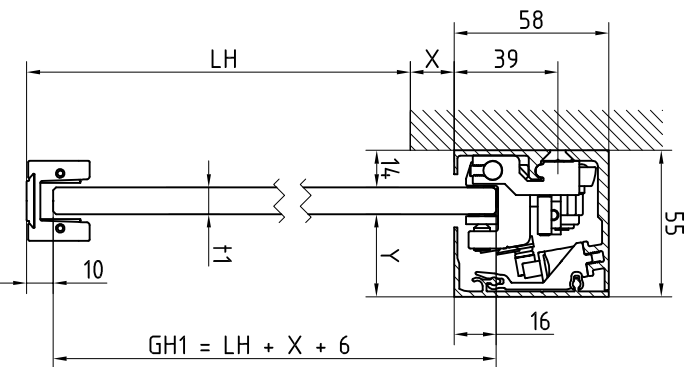


Vergleich Wand- und Deckenmontage
MUTO M 50 mit MUTO M 60

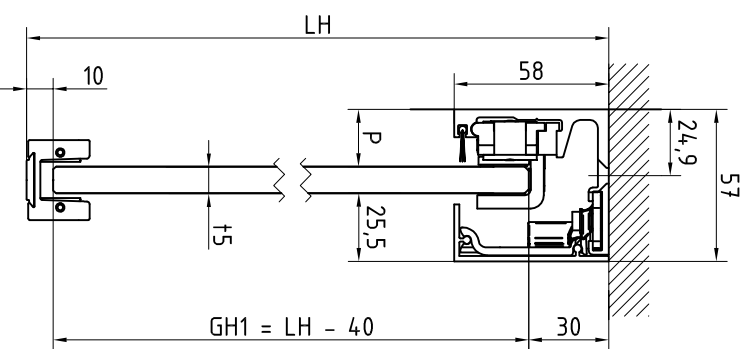
Wandmontage M 50



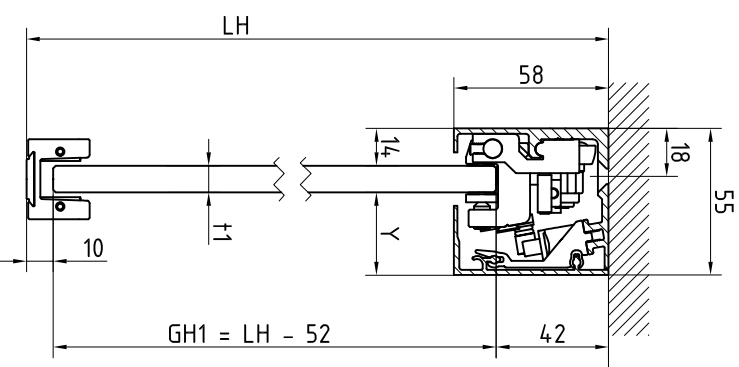
Wandmontage M 60



Deckenmontage M 50



Deckenmontage M 60



- A = glass width
- B = length of track
- GH1 = glass height panel
- GH2 = glass height side light
- LH = total height
- LW = clear opening width
- t1 = glass thickness panel (8-12 mm) (M60)
- t2 = glass thickness side light (8-13.5 mm)
- S = glass width side light
- Y = 55 - (14 + t1), (M60)
- t5 = glass thickness panel (8-10 mm) (M50)
- P = 215 - 23.5, (M50)