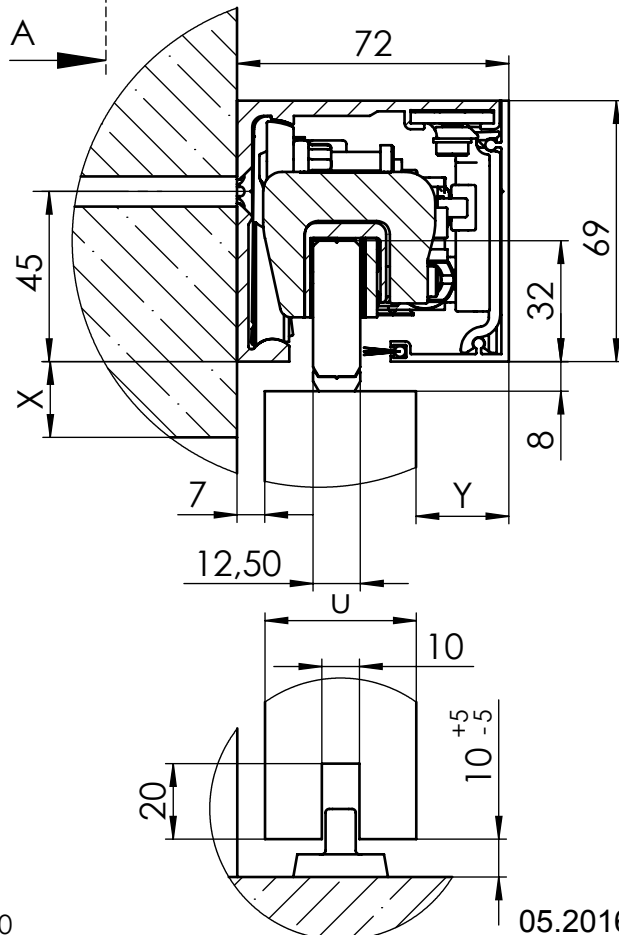
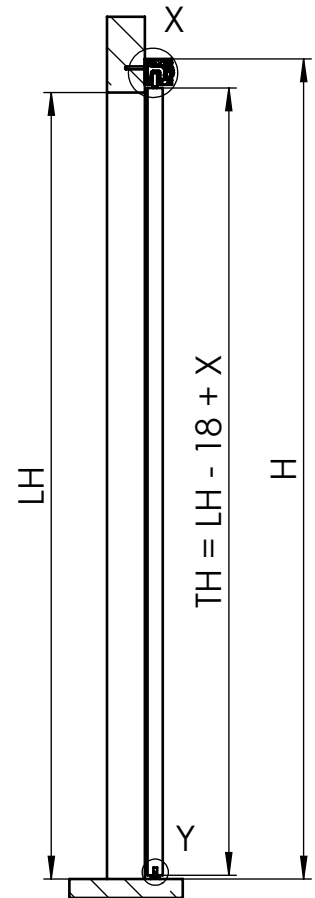
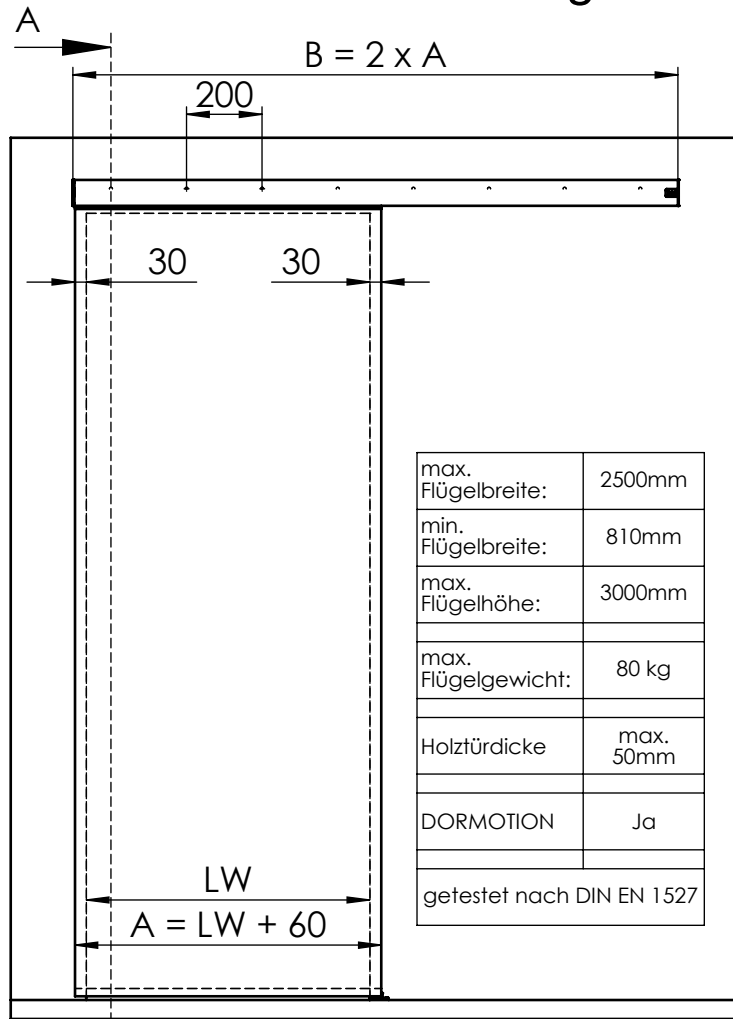


# MUTO Comfort XL DORMOTION 80 Wandmontage Holzanwendung



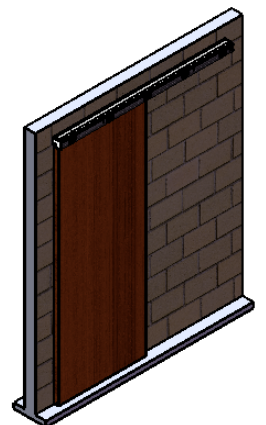
36.500  
36.501  
36.502  
36.520



Detail X (1 : 2)

Detail Y (1 : 2)

A	Flügelbreite
B	Laufschielenlänge
H	Gesamthöhe
LH	lichte Höhe
LW	lichte Weite
TH	Türhöhe
X	Überstand
Y	72 - 7 - u
u	Holzdicke

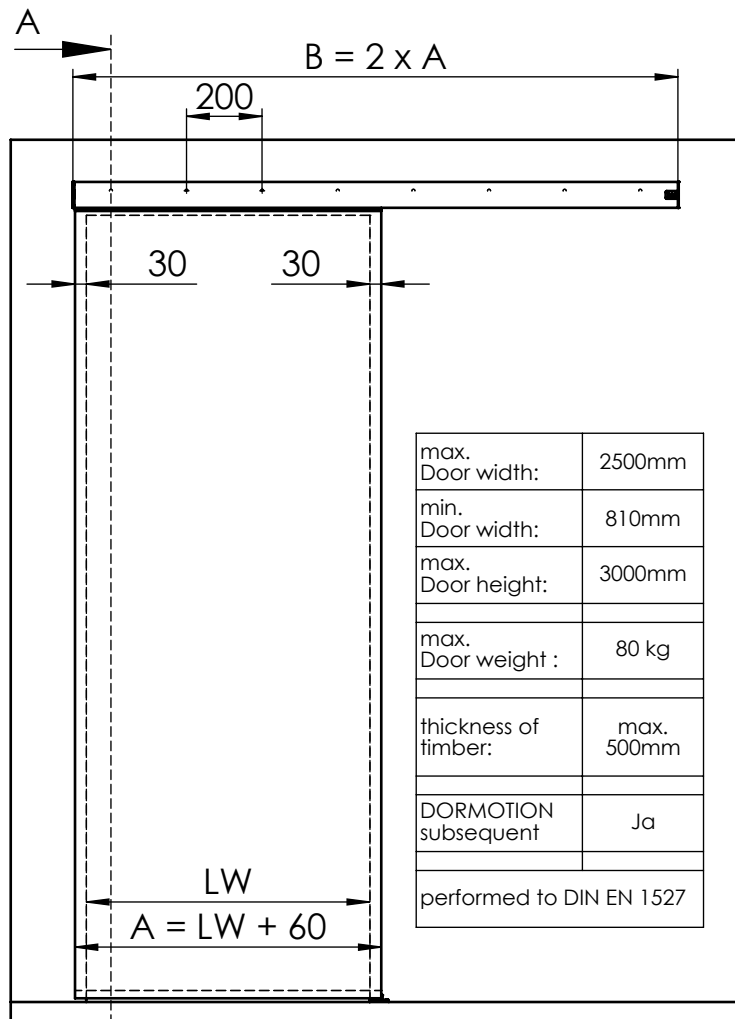


36-500 Timber

# MUTO Comfort XL DORMOTION 80 fixed at wall timber door

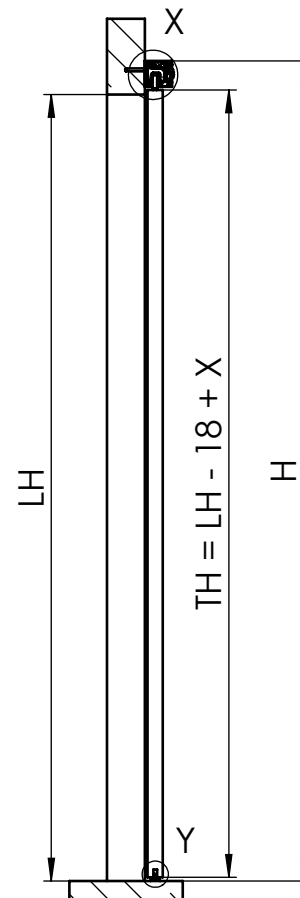


36.500  
36.501  
36.502  
36.520

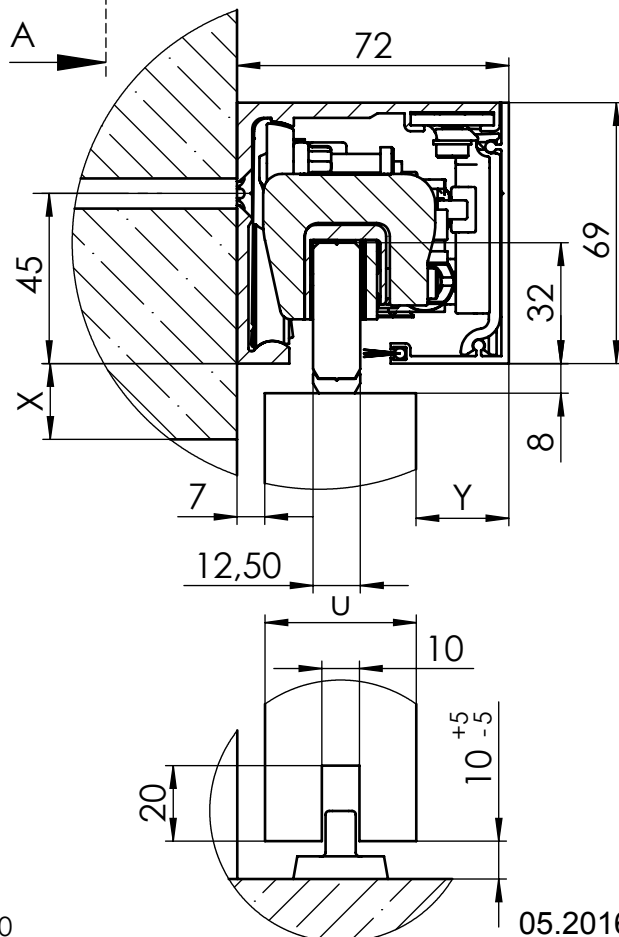


max. Door width:	2500mm
min. Door width:	810mm
max. Door height:	3000mm
max. Door weight :	80 kg
thickness of timber:	max. 500mm
DORMOTION subsequent	Ja
performed to DIN EN 1527	

$LW$   
 $A = LW + 60$



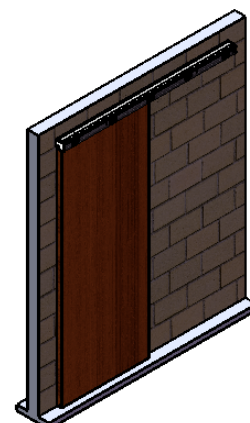
A-A



Detail X (1 : 2)

Detail Y (1 : 2)

A	Door width
B	length of track
TH	Door height
H	total height
LH	clear opening height
LW	clear opening width
u	thickness of timber
X	protrusion
Y	$72 - 7 - u$



36-500 Timber