

# MUTO Premium and Comfort

Gap seals for -

XL150/80, L80, XL80 Telescopic, XL120

## Installation instructions

936035 – 05-2018

| EN |

dormakaba 

# Table of contents

<b>1</b>	<b>Technical specifications</b>	<b>3</b>
1.1	Overview	3
	1.1.1 General information	3
	1.1.2 Intended use	3
	1.1.3 Glass requirements/fittings/mounting	3
	1.1.4 Requirements for glass panel	3
	1.1.5 Safety instructions	3
	1.1.6 Symbols used - Safety/Installation	3
	1.1.7 Maintenance, care, repair	3
	1.1.8 Disposal	3
1.2	Gap seal profile options	4
1.3	Gap seal options chart	4
<b>2</b>	<b>Application variations</b>	<b>5</b>
2.1	MUTO Premium XL 150/80/120	5
2.2	MUTO Premium XL80 Telescopic	6
2.3	MUTO Comfort L80	8
2.4	Bulb seal dimensions	9
<b>3</b>	<b>Installation instructions - brush seal</b>	<b>10</b>
3.1	Measure for brush seal carrier and brush	10
3.2	Cut brush seal carrier	10
3.3	Secure brush seal carrier	11
3.4	Install and cut brush	11
<b>4</b>	<b>Installation instructions - bulb seal</b>	<b>12</b>
4.1	Secure bulb seal	12

# 1 Technical specifications

## 1.1 Overview

These instructions are for installation of MUTO Premium and Comfort XI150/80, XL120, L80, XL80 Telescopic panels for the following mounting and style versions:

### 1. Wall, Ceiling, Glass, Sidelite mount

#### 1.1.1 General information

- dormakaba requires use of tempered laminated or tempered monolithic glass.
- dormakaba glass hardware is not suitable for harsh environment; for example, applications where chemicals (e.g. chlorine) are used such as indoor swimming pools, saunas, or salt-water pools.
- Never move sliding panels faster than walking speed and always stop the door manually before it reaches end position.
- Do not slide doors with excessive force. Ensure proper installation of limiting stop to prevent door from opening too far.

#### 1.1.2 Intended use

- For sliding doors in dry indoor areas only.
- For manual slow opening and closing only.

#### 1.1.3 Glass requirements/fittings/mounting

- The substructure/wall must be able to bear permanent loads, be level (max. tolerance: 1/16" [2] per 39" [1m]).
- Fasteners must be sufficiently dimensioned for the substructure/wall and weight of the door.
- When adjusting glass components, always stick to the required clearance for the respective hardware. Adjust clearance so glass does not come in contact with any hard surfaces such as glass, metal or concrete.
- Do not use excessive force when installing the glass (avoid over tightening screws.)

#### 1.1.4 Requirements for glass panel

- dormakaba requires use of fully tempered glass, which complies with ASTM C 1036 and ASTM C 1048. Secondary heat soaking processes are optional by not required. This applies to both tempered monolithic and tempered laminated glass.
- Clamping area must be flat and uncoated (no self-cleaning coating!)
- Never use glass with conchoidal fractures and/or damaged edges.

#### 1.1.5 Safety instructions

- Installation requires two people.
- Always wear protective clothing.
- Only properly qualified and specially trained staff are authorized to mount dormakaba glass hardware.
- Due to crushing hazards and possible injury caused by breakage of glass during mounting, corresponding protective clothing (especially gloves and protective goggles) is required.
- Never clamp metal fitting hardware directly to glass surface.

#### 1.1.6 Symbols used - Safety/Installation



#### CAUTION

Mounting components must meet the requirements of substructure/wall and door weight. Please read the technical information for fittings.



#### WARNING

Risk of breaking glass. When installing the door, support the door panel with a block of wood or similar object.



#### TIPS AND RECOMMENDATIONS

Information note



#### CLOSING EDGE OF DOOR



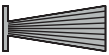

#### 1.1.7 Maintenance, care, repair

- Immediately replace damaged parts.
- Always use original dormakaba parts.
- Clean clamping area with alcohol-based standard commercial cleaning agent before mounting the glass hardware.
- Use a damp cloth for occasional cleaning.
- Always use silicone - and oil-free cleaners (e.g. acetone).
- Check glass hardware at regular intervals for proper positioning, smooth operation and correct adjustment.
- High traffic door systems require inspection by properly qualified staff (specialized companies or installation firms.)

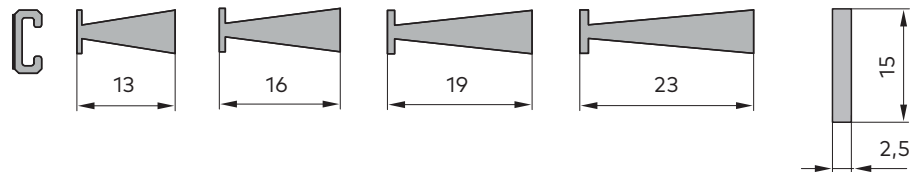
#### 1.1.8 Disposal

Disposal in accordance with local, state and national regulations.

## 1.2 Gap seal profile options

	Gasket bulb seal (for doors closing against a wall or for double panel systems)
	Brush seal carrier
	Brush seal
	Flat aluminum (by others)

## 1.3 Gap seal options chart



<b>MUTO Premium XL150/80</b>				
<b>MUTO Premium XL120 Self-closing</b>				
Wall mount	X		X	X
Ceiling mount	X		X	
Ceiling mount with sidelite(s)	X		X	
Glass mount with sidelite(s)	X		X	
<b>MUTO Premium XL80 Telescopic</b>				
Wall/Ceiling mount				
Glass thickness: 5/16" - 7/16" [8-10]	2X	X		X
Glass thickness: 7/16" - 1/2" [10-12]	2X	X		X
Glass thickness: 1/2" - 9/16" [12-13.5]	2X	X	X	X
Ceiling mount with sidelite(s)				
Glass thickness: 5/16" - 7/16" [8-10]	2X		X	X
Glass thickness: 7/16" - 1/2" [10-12]	2X		X	X
Glass thickness: 1/2" - 9/16" [12-13.5]	2X		X	X
Glass mount with sidelite(s)				
Glass thickness: 5/16" - 7/16" [8-10]	2X		X	X
Glass thickness: 7/16" - 1/2" [10-12]	2X		X	X
Glass thickness: 1/2" - 9/16" [12-13.5]	2X		X	X
<b>MUTO Comfort L80</b>				
Wall mount	X	X		X
Ceiling mount	X		X	
Ceiling mount with sidelite(s)	X		X	
Glass mount with sidelite(s)	X		X	

# 2 Application variations

## 2.1 MUTO Premium XL 150/80/120

Fig 1

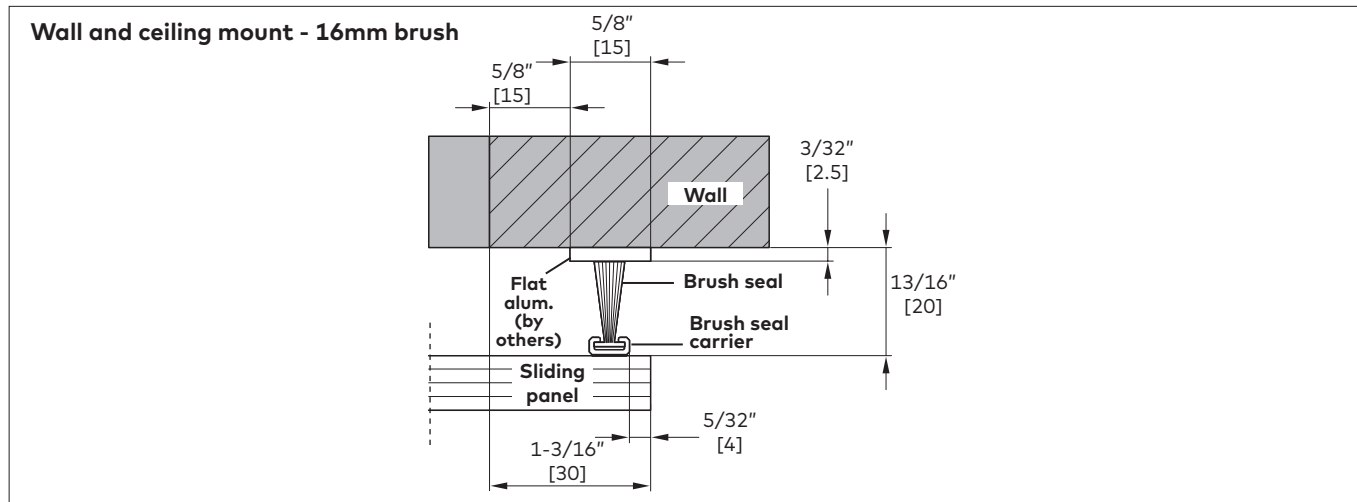


Fig 2

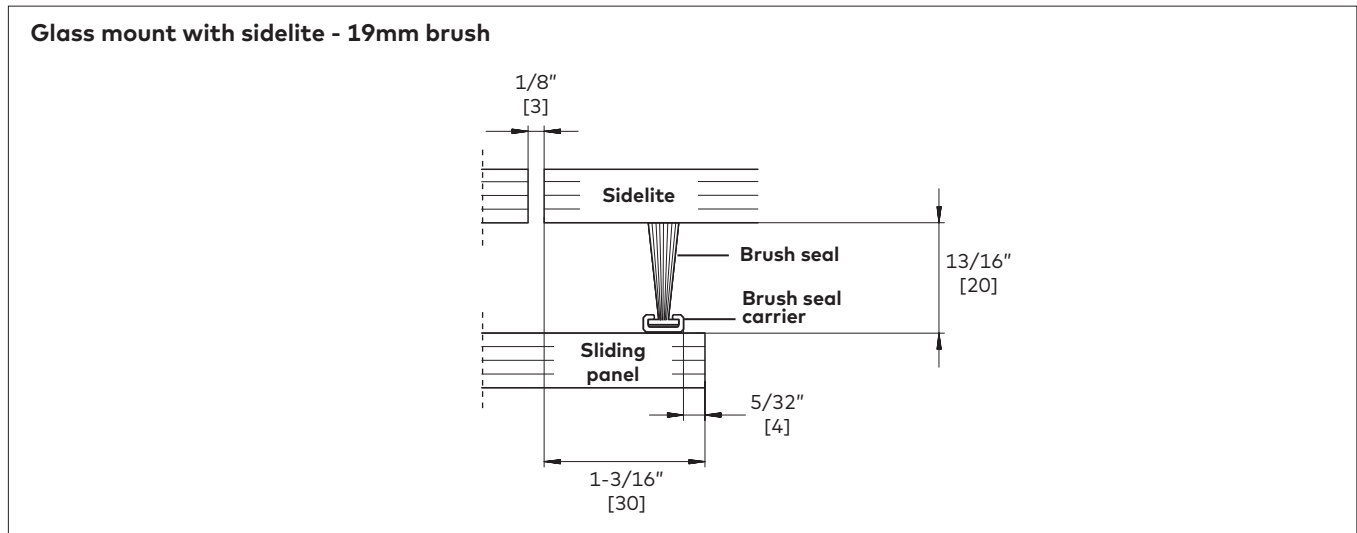
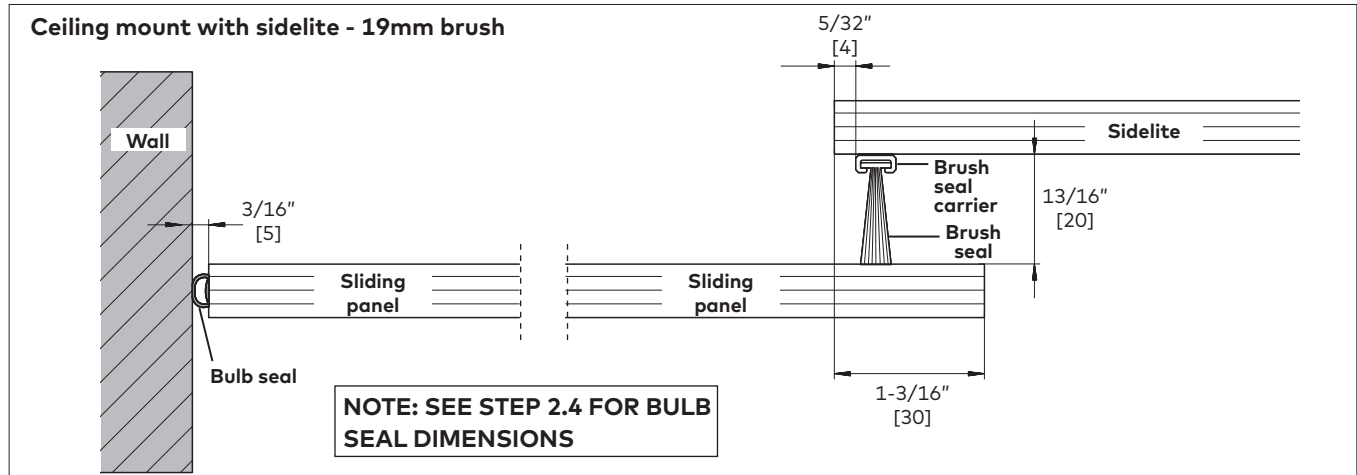


Fig 3



## 2.2 MUTO Premium XL80 Telescopic

Fig 4

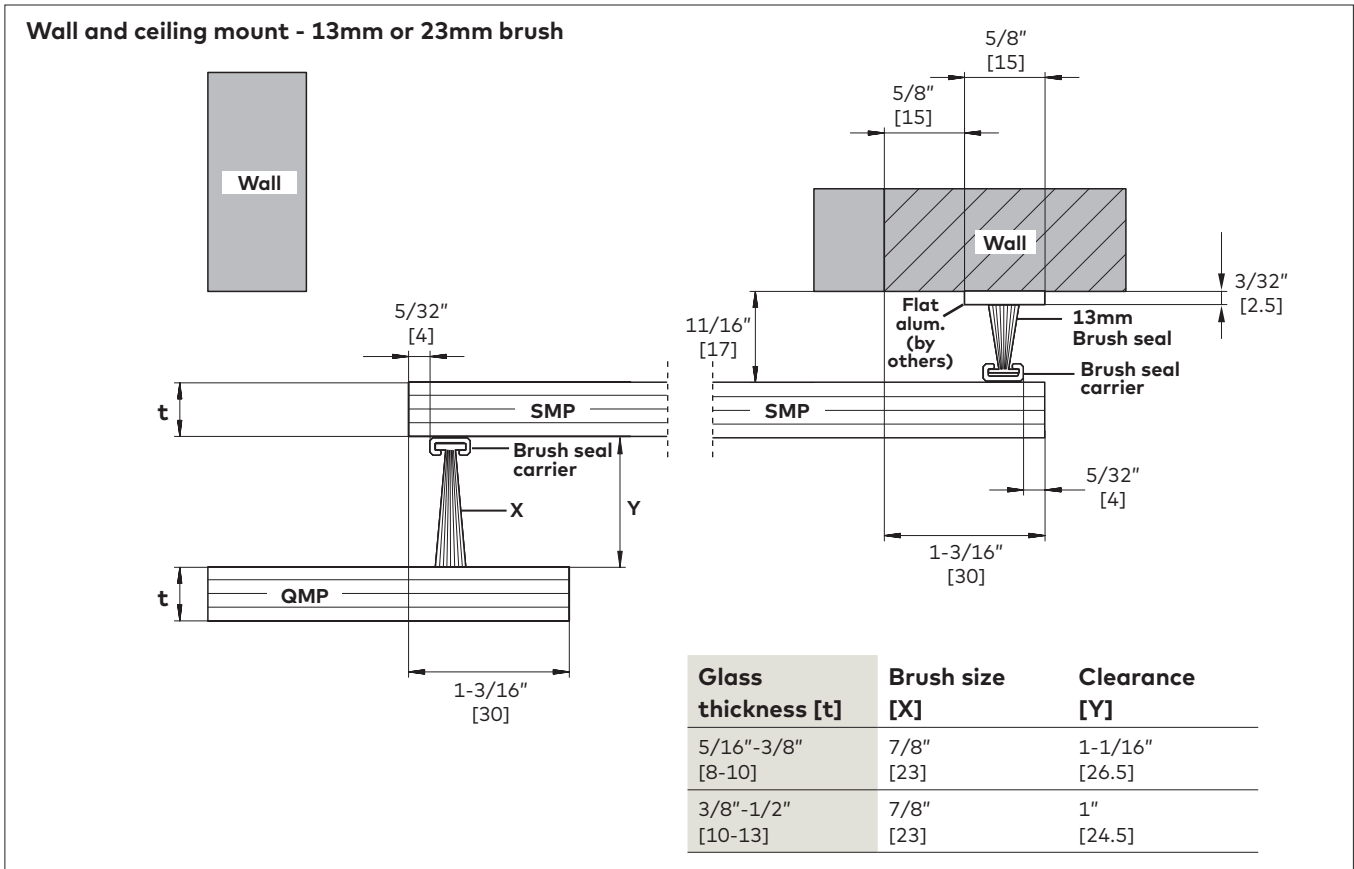


Fig 5

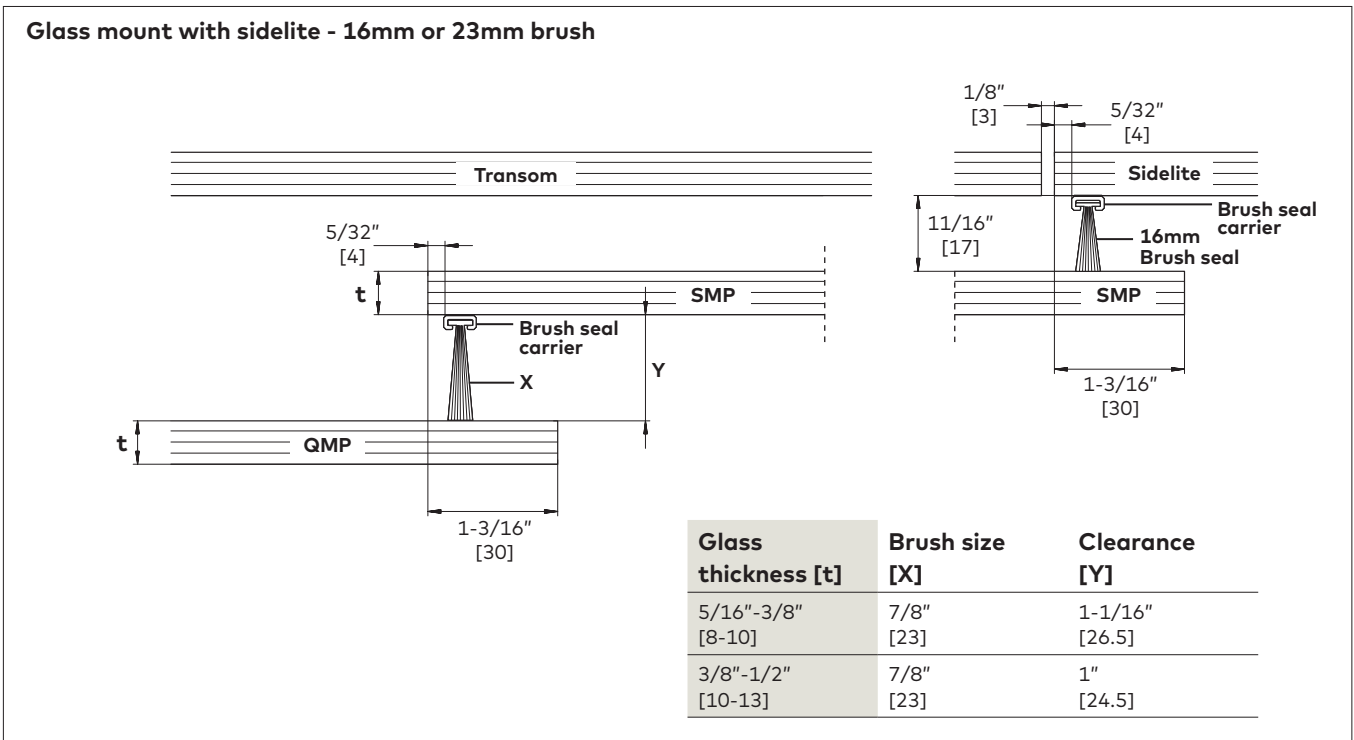
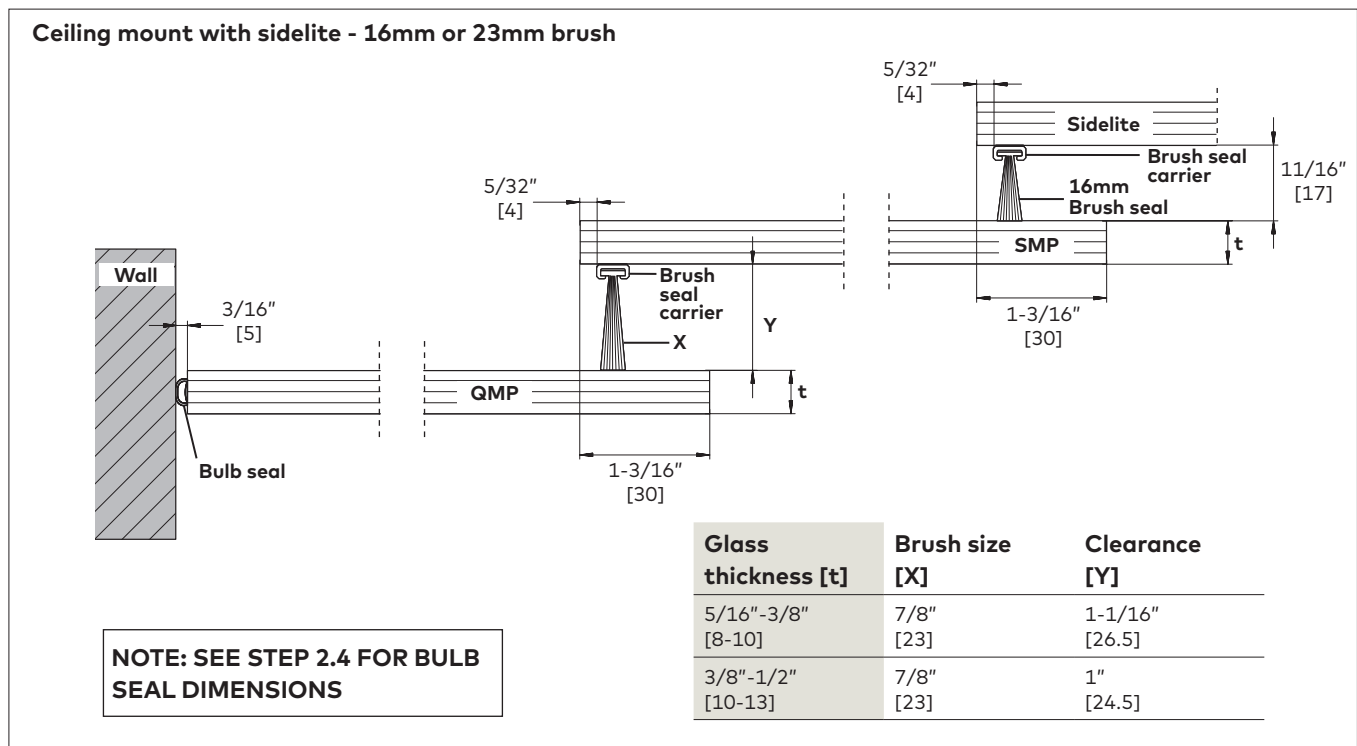


Fig 6



## 2.3 MUTO Comfort L80

Fig 7

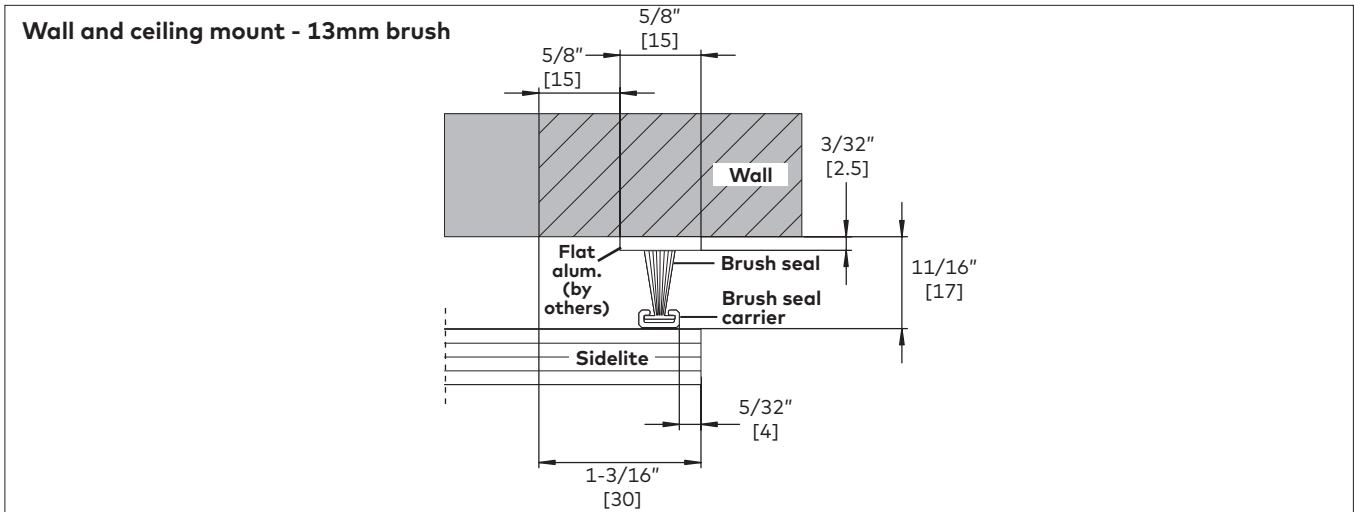


Fig 8

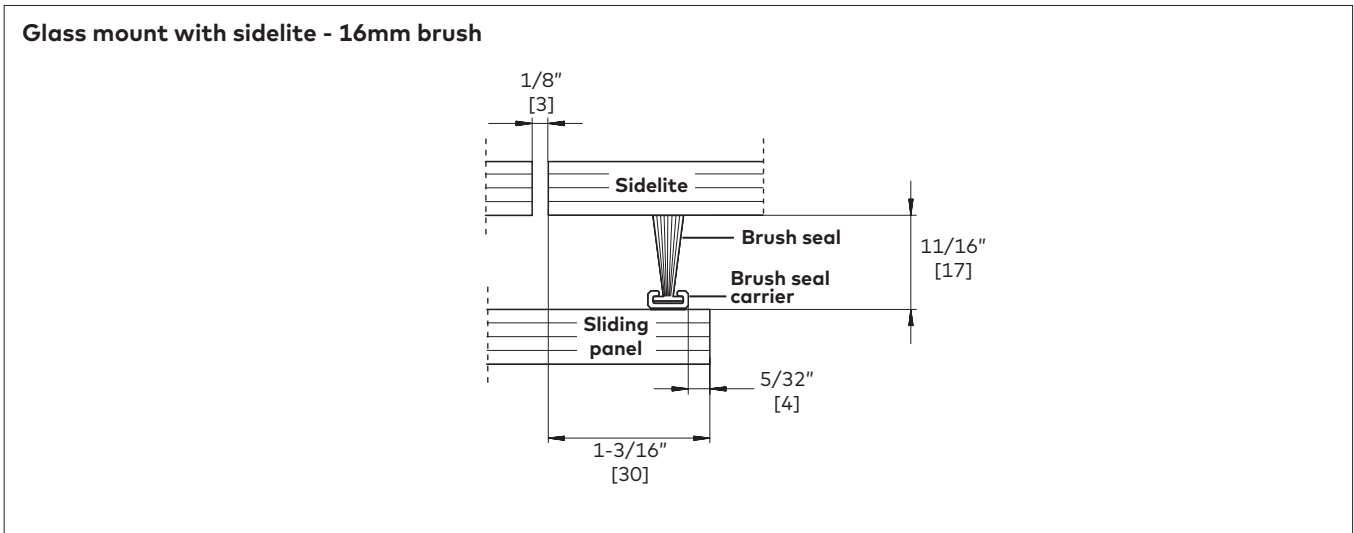
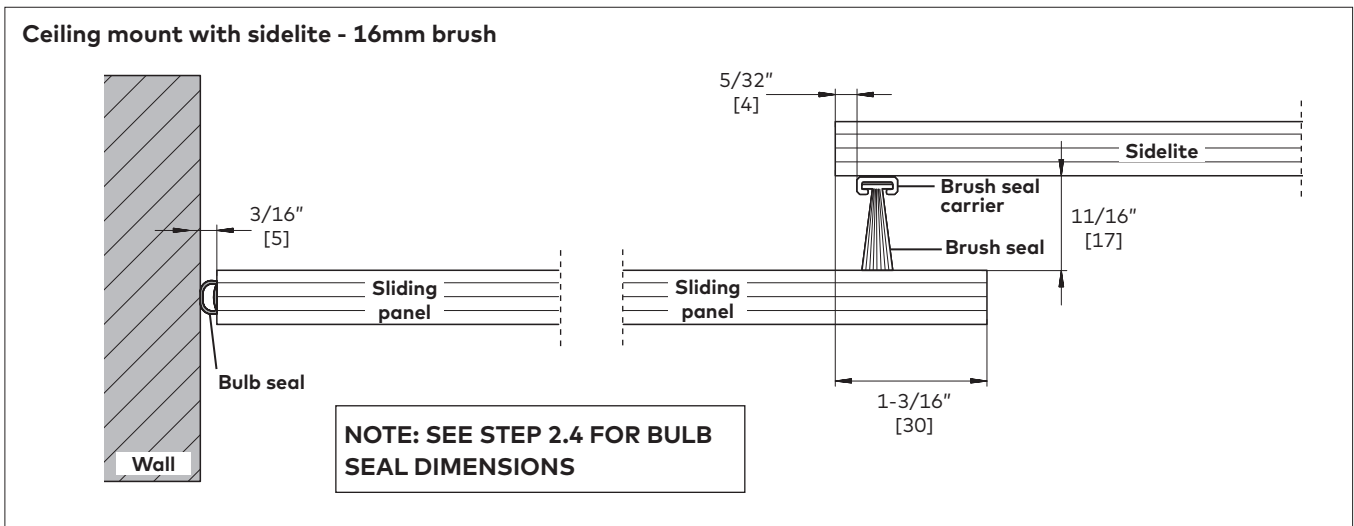


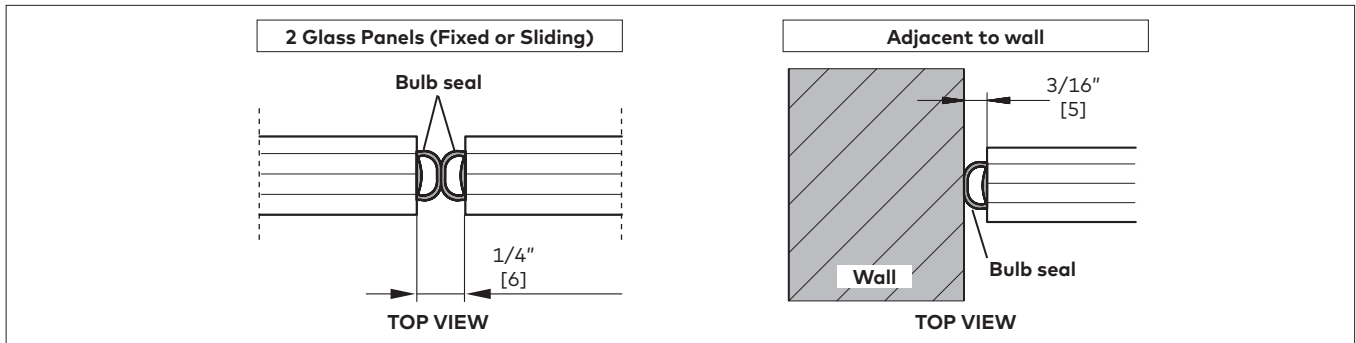
Fig 9





## 2.4 Bulb seal dimensions

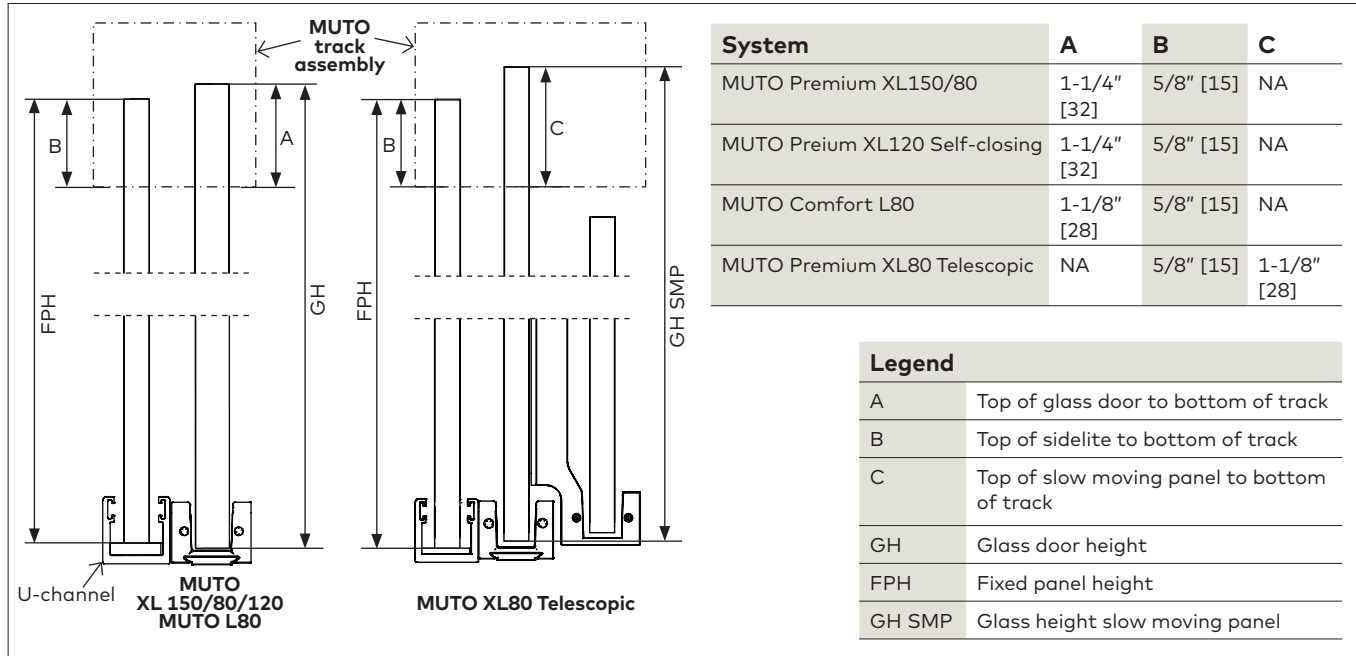
Fig 10



# 3 Installation instructions - brush seal

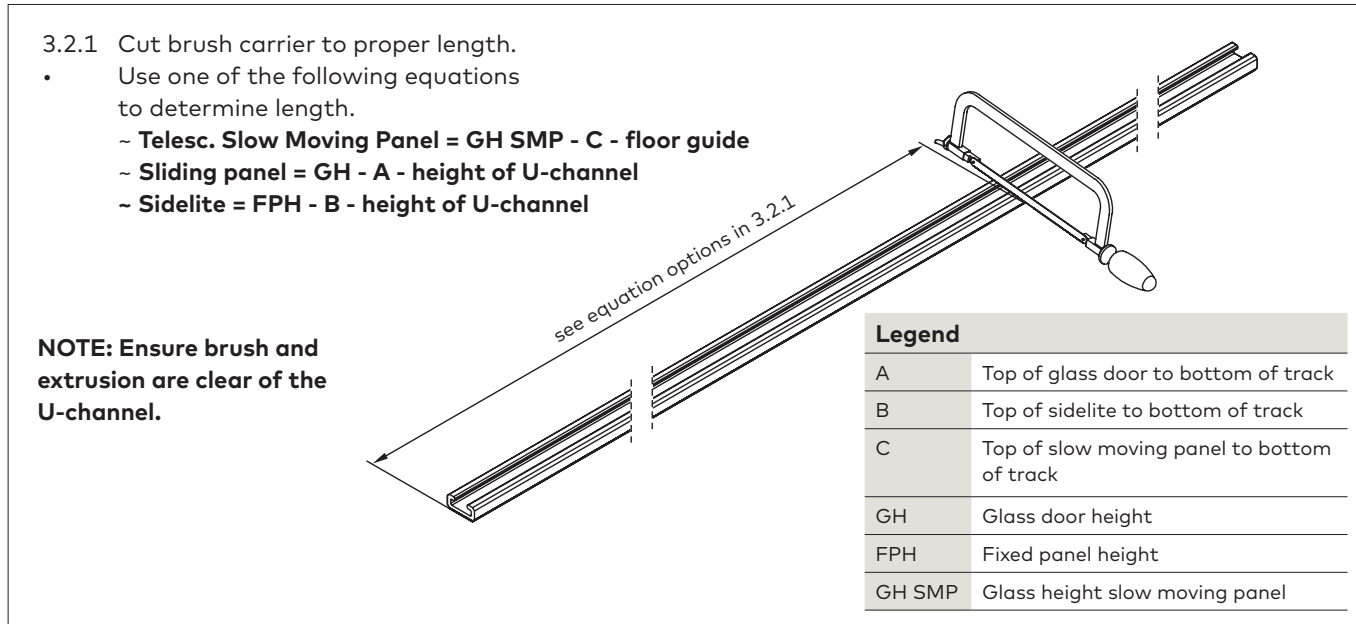
## 3.1 Measure for brush seal carrier and brush

Fig 11



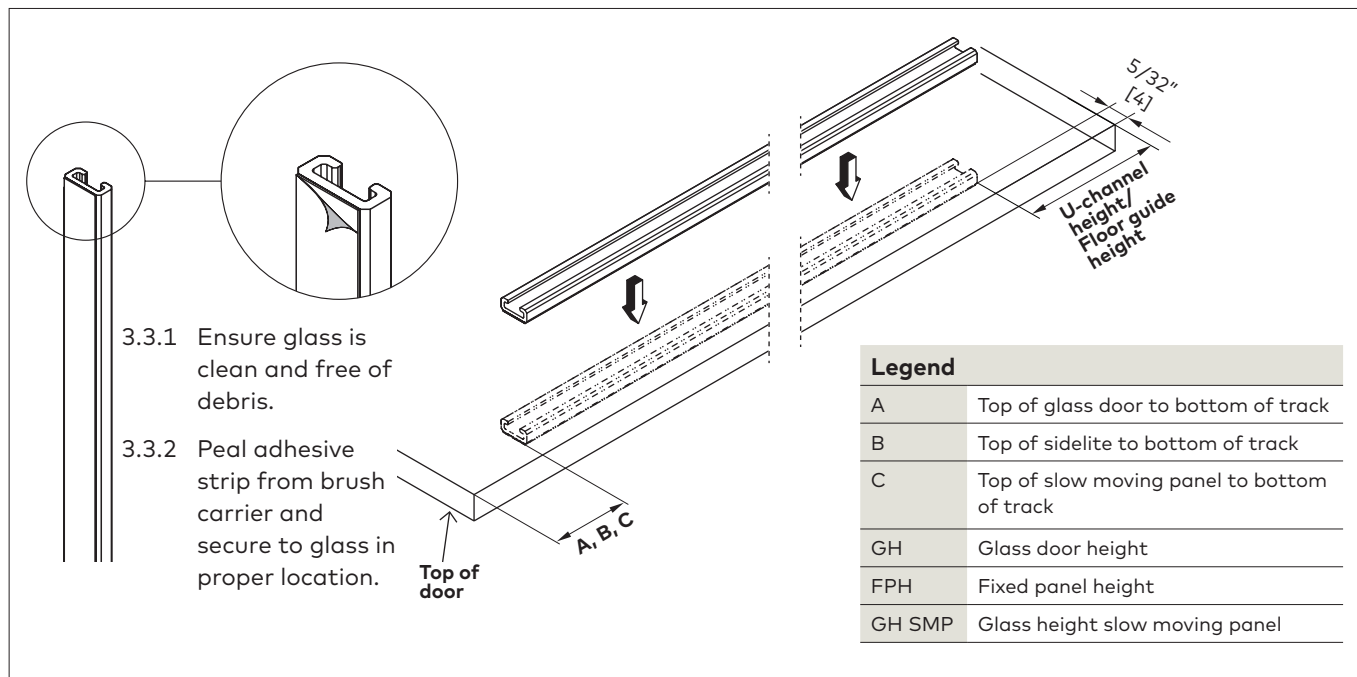
## 3.2 Cut brush seal carrier

Fig 12



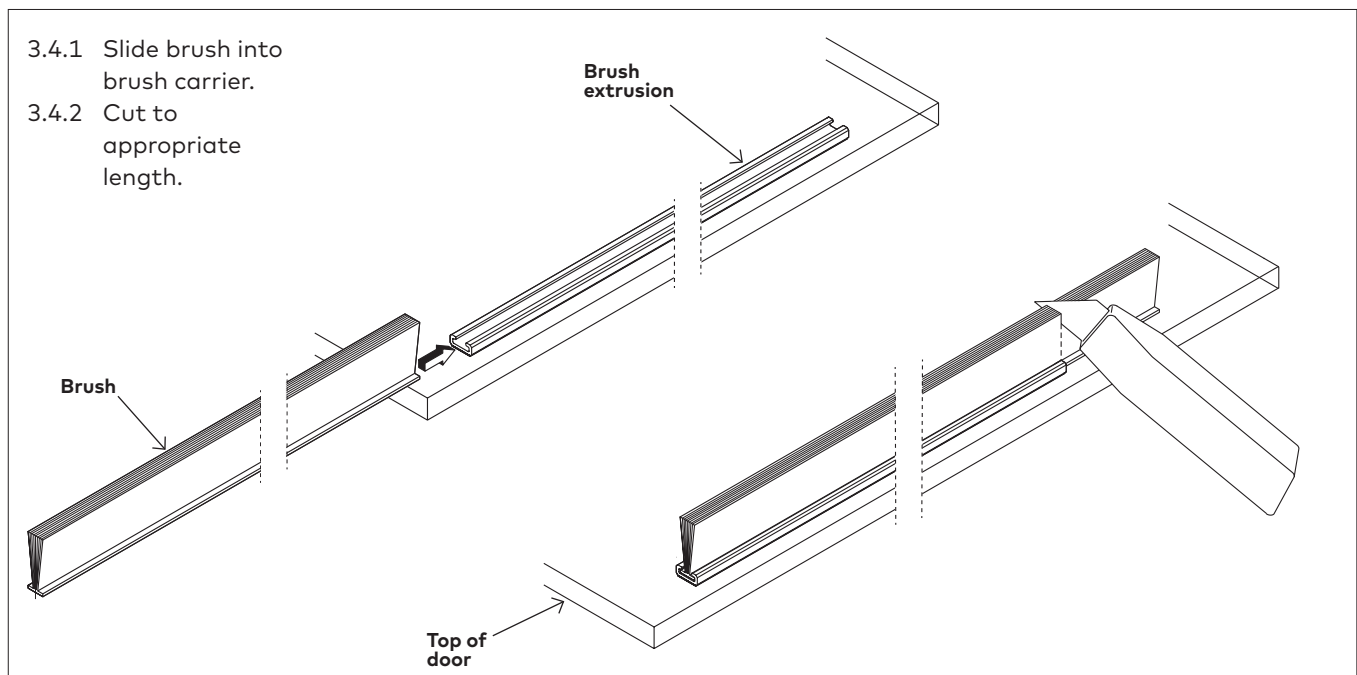
### 3.3 Secure brush seal carrier

Fig 13



### 3.4 Install and cut brush

Fig 14



## 4 Installation instructions - bulb seal

### 4.1 Secure bulb seal

Fig 15

