

RCI MEM4400

Compact Electromechanical Lock



The MEM4400 compact electromechanical lock is an ultra-compact solution for sliding doors or small enclosures. The lock is easily installed on or within the door track of automatic sliding doors. The RCI MEM4400 has lock and door status sensors with an early warning alarm

Features

- Energy: 260mA 12/24VDC
- Strength: 880lbf Holding Force
- Mode: Fail-Safe
- Monitor: Lock & Door Status Sensors
- Ultra-compact design
- Low power consumption
- Easy installation
- Early warning alarm
- No residual magnetism
- 3 Year Limited Warranty



Energy
260mA
12/24VDC



Strength
880lbf Holding
Force



Monitor
Lock & Door
Status Sensor



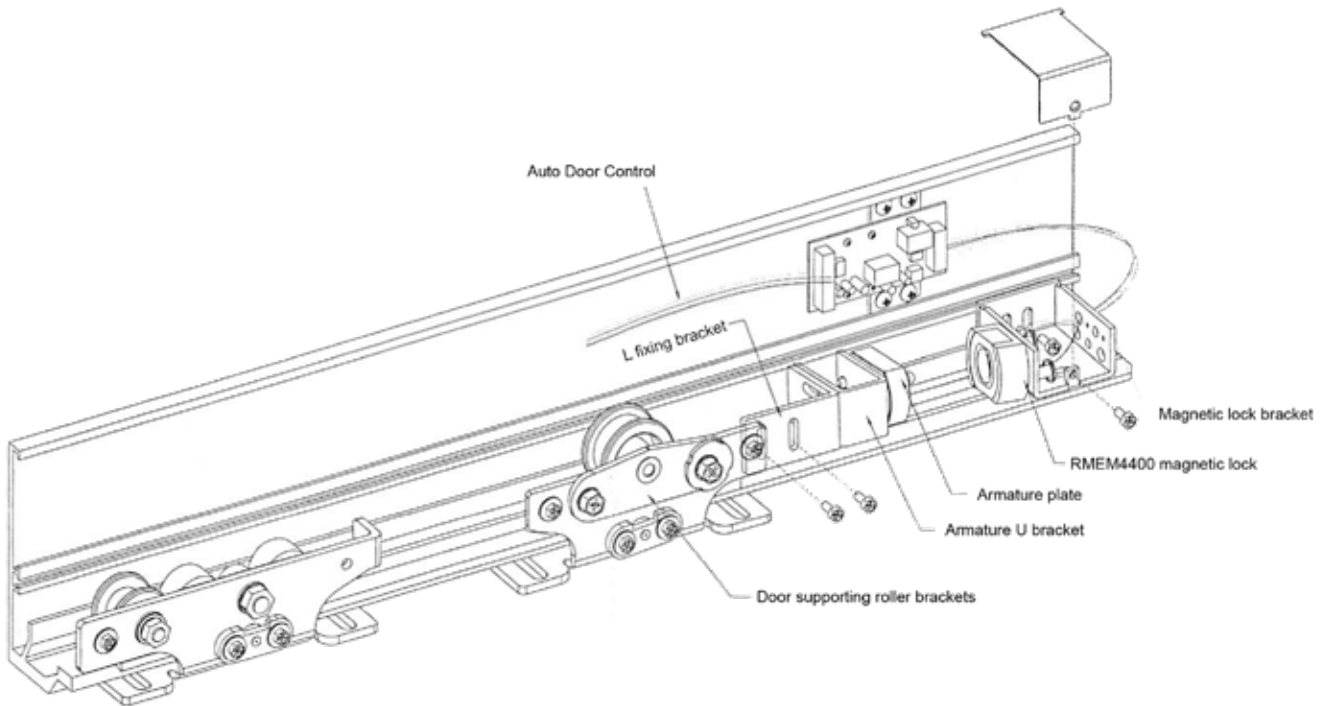
Warranty
3 Year Limited Warranty



Mode
Fail-Safe

Specifications

Energy	Voltage - 12VDC/24VDC
	Current - 260mA
	Duty - Continuous
Dimensions	1-3/4"W x 1-3/16"H x 21/32"D (44mm x 30mm x 16.5mm)
Dimension (Armature plate)	1-3/4"W x 1-3/16"H x 1/2"D (44mm x 30mm x 12.5mm)
Strength	880lbf
Monitor	Lock & Door status sensors
Mode	Fail safe



© dormakaba 2022 Information on this sheet is intended for general use only. dormakaba reserves the right to alter designs and specifications without notice or obligation.

dormakaba Canada Inc.
 7301 Decarie Blvd
 Montreal, QC H4P 2G7
 1-8888 539-7226
 sales_RCI@dormakaba.com
 dormakaba.us

KAA1446 10-22