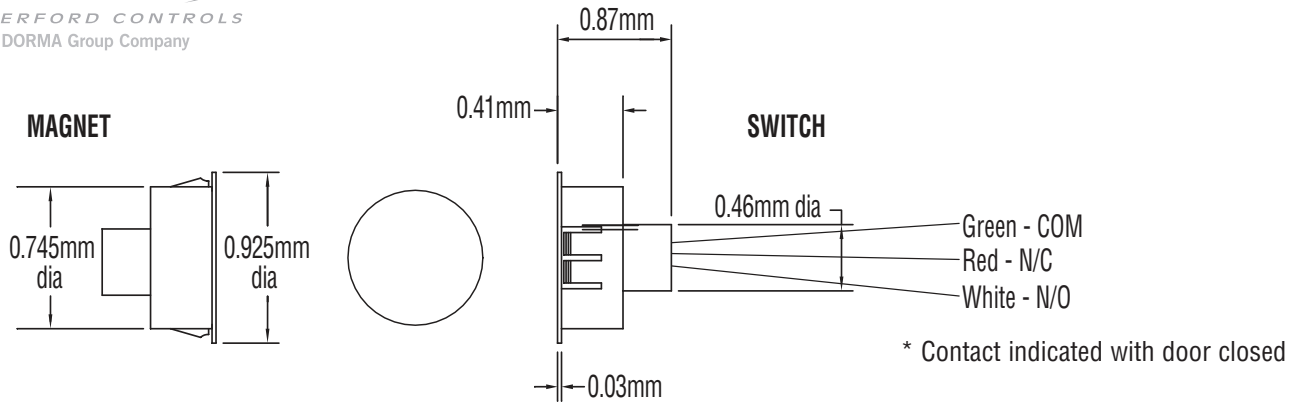


INSTALLATION

9540

Recessed Magnetic Contact/Door Position Switch

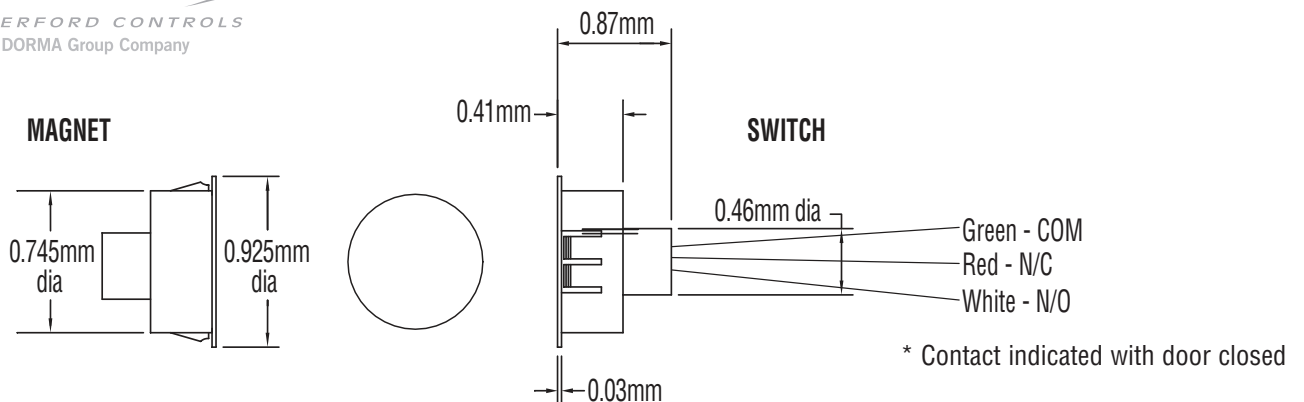


Drill 3/4 diameter hole x 1" deep for both magnet and switch

INSTALLATION

9540

Recessed Magnetic Contact/Door Position Switch



Drill 3/4 diameter hole x 1" deep for both magnet and switch