

SURFACE AND FLUSH MOUNT ROCKER SWITCHES



Instructions

909 Surface Mount

1. Remove decorative bezel around switch.
2. Mount switch base in desired location.
3. Connect wires under appropriate terminals (Fig. 1).
4. Replace decorative bezel.

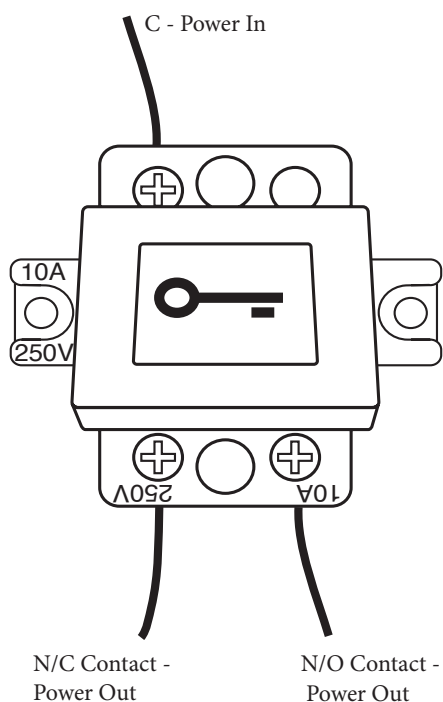


Fig. 1

909 Flush Mount *

1. Pry off decorative bezel around switch and remove toggle.
2. Cut a 2-1/4" x 1-1/4" hole in the drywall.
3. Connect wires under appropriate terminals (Fig. 2).
4. Insert switch into hole. Tighten the two metal slot screws, until switch is secure.
5. Replace toggle and decorative bezel.

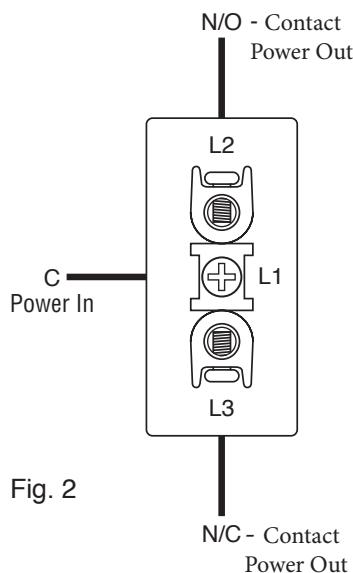


Fig. 2

Description	Switch Mode	Switch Configuration	Switch Rating	Standard Finish
909-MO Rocker Switch	Momentary Action	SPDT N/O or N/C	10A @250V	Beige (plastic)
909-MA Rocker Switch	Maintained Action*	SPDT N/O or N/C	10A @250V	Beige (plastic)

NOTE: Specifications are subject to change without notice. N/C – Normally Closed; N/O – Normally Open; C - Common

*Maintained not available for Flush Mount.