



RUTHERFORD CONTROLS
dormakaba Group

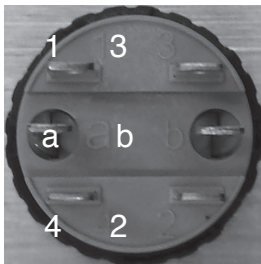
Instructions

1. Slide the colored leads onto the switch terminals according to the diagram below.
2. Check all connections to be sure that they are properly attached to the terminals. Fail secure and fail safe have different connections.
3. Connect leads to electric lock and check for proper operation, then fasten the plate to a utility box (supplied by others).

“N” narrow version (1-5/8" x 4-3/4") is compatible with 1-3/4" (or larger) narrow-frame profiles. Blue cap is standard.

Switch Terminals

2 SPST 1 N/O 1 N/C



REAR VIEW

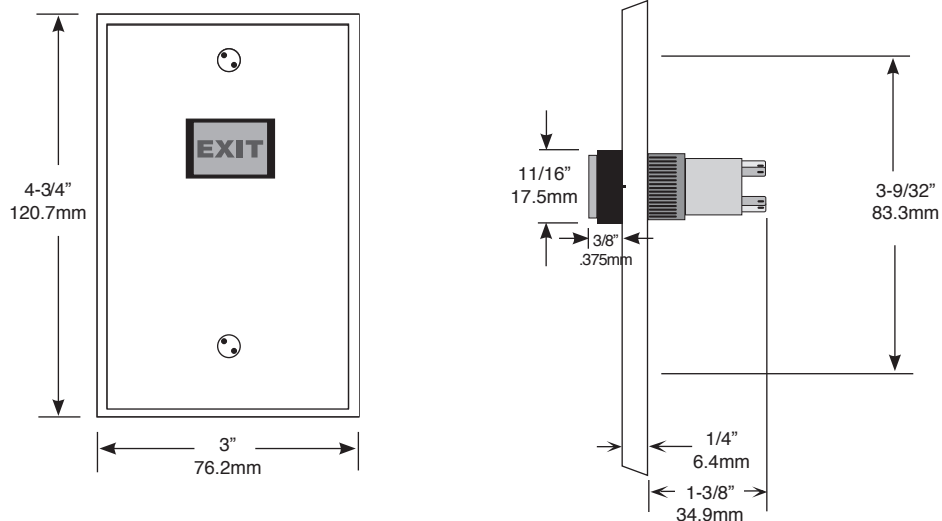
- #1 and #2 Normally closed for fail safe systems
- #3 and #4 Normally open for fail secure systems
- A and B } Pins that power the lamp of push button
- + - } Match voltage marked on back of faceplate & packaging

DMO & DMA
4 SPST 2 N/O 2 N/C



REAR VIEW

Profile Detail



Side Profile