

INSTALLATION



dormakaba Group

991 Series PUSH BUTTON WITH PNEUMATIC TIME DELAY

SWITCH INFORMATION

Time Adjustment Procedure:

Use fingers to turn the brass adjustment screw.
Turn clockwise to increase the delay
Turn counter clockwise to decrease delay.

Like all pneumatic switches, time delays are approximate and can be affected by environmental variables.
Periodic testing and adjustment may be required.
If in doubt, leave a longer delay to allow sufficient egress time.

SPECIFICATIONS

Time Range	Standard and Narrow 2 sec to 45 sec
Switch Rating	2 Amp @ 12-28 VDC (qualified @ 0.6 pf per UL294)
Temperature Range	+32° F to +120° F (0°C to +49°C)

UL 294 PERFORMANCE RATINGS

AccessControl Line Security	Level 1
Destructive Attack	Level 1
Endurance	Level 1
Standby Power	Level 1

HARDWARE INSTALLATION

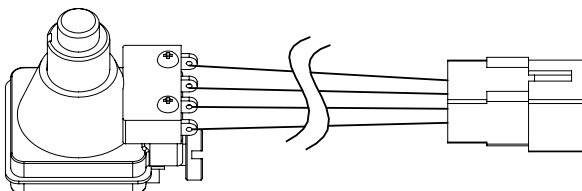
The 991 mounts in a single-gang electrical box with two screws.
A bit is provided for the Spanner security screws that mount the faceplate.
Carefully align these screws with electrical box tabs to avoid pinched wires.

TYPICAL SYSTEM CONTROL WIRING

Fail Secure - Electric Strike

Normally Open Circuit

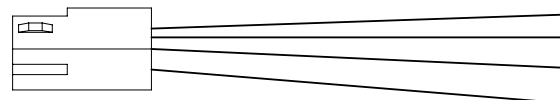
Use white leads.
Connect the 991 switch using the positive white lead to the strike.



Fail Safe - Electromagnetic Lock

Normally Closed Circuit

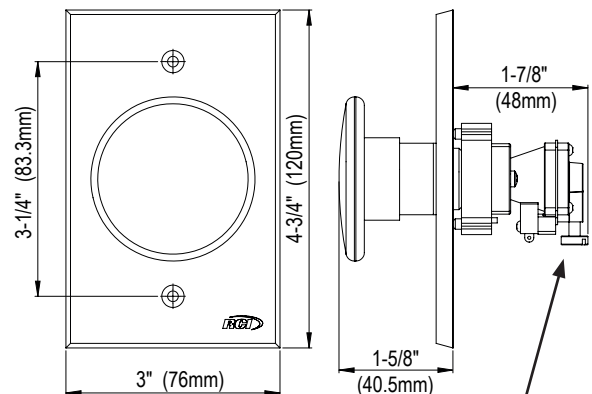
Use red leads.
Connect the 991 switch on the positive red lead to the lock.
White leads may be used for monitoring.



CONNECT THE SWITCH TO SUIT THE FUNCTIONS ABOVE USING THE POSITIVE LEAD

Dimensions with Aluminum Faceplate

(also available in narrow width)



The time adjustment screw may be facing up or down

Dimensions with Stainless Steel Faceplate

