

**AX.S SERIES** Embedded Access Control

# Alarm Interface Unit

## AA200

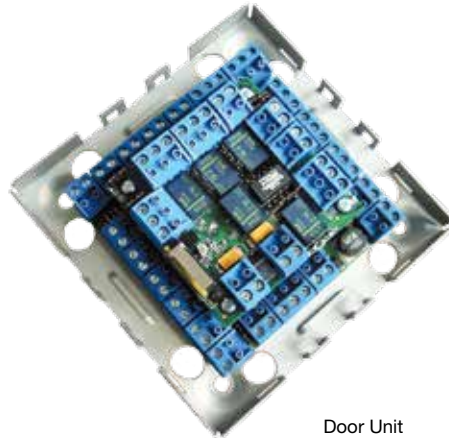
### OVERVIEW

The Kaba Alarm Interface Unit solves one of the toughest problems with securing a building – false alarms. By fully integrating biometric access control with the alarm system, Kaba Alarm Interface units eliminate many of the common causes of false burglar alarms. Before someone enters a building, the individual turns off the alarm through our biometric reader, the Fingerprint Key. This ensures that individuals do not enter the building without disarming the alarm, and only those who are authorized to turn on/off the alarm can enter.

According to the Department of Justice, U.S. police respond to approximately 36 million alarm activations annually, costing municipalities an estimated \$1.8 billion. Of these 36 million calls, 98 percent are false alarms. The Kaba Alarm Interface Unit helps reduce false alarms by minimizing the No. 1 cause – user error.

### ACCESS CONTROL-ALARM SYSTEM INTEGRATION

- Standard alarm panel functions
  - Interfaces with keyswitch arm/disarm zone
  - Monitors “system ready” status
  - Alarm system keypad can arm/disarm alarm
  - Monitors “armed” status
  - Multiple programmed users are not needed
- Standard access control features
  - Biometrics: Distribution without template subsystem; no server, no software
  - Access: Arm/disarm with the same Fingerprint Key
  - Fingerprint Key can arm/disarm alarm system
  - Alarm system status logged on access control system’s log
  - Authorized user event logged when system is armed/disarmed
  - Deleting user from access system removes alarm system arm/disarm rights



Door Unit  
w/ Alarm Interface

### False Alarms Eliminated

- Before entering facility via access control, alarm is disarmed at Fingerprint Key
- Alarm system armed/disarmed with full authentication through Fingerprint Key
- I.A.M Fingerprint Key offers a level of authentication that truly eliminates false alarms. This level is unobtainable by Card and PIN.
- Fingerprint biometrics = authentication
- System armed/disarmed from exterior Fingerprint Key, eliminating time pressure
- Only authorized users can arm or disarm from Fingerprint Key
- Supervisor first
- Access group does not validate user

### PORTABILITY

- Access control log available remotely
  - Open/close times, authorized users, alarm status can be obtained remotely
- Authorized user rights for access and alarm can be deleted from system remotely

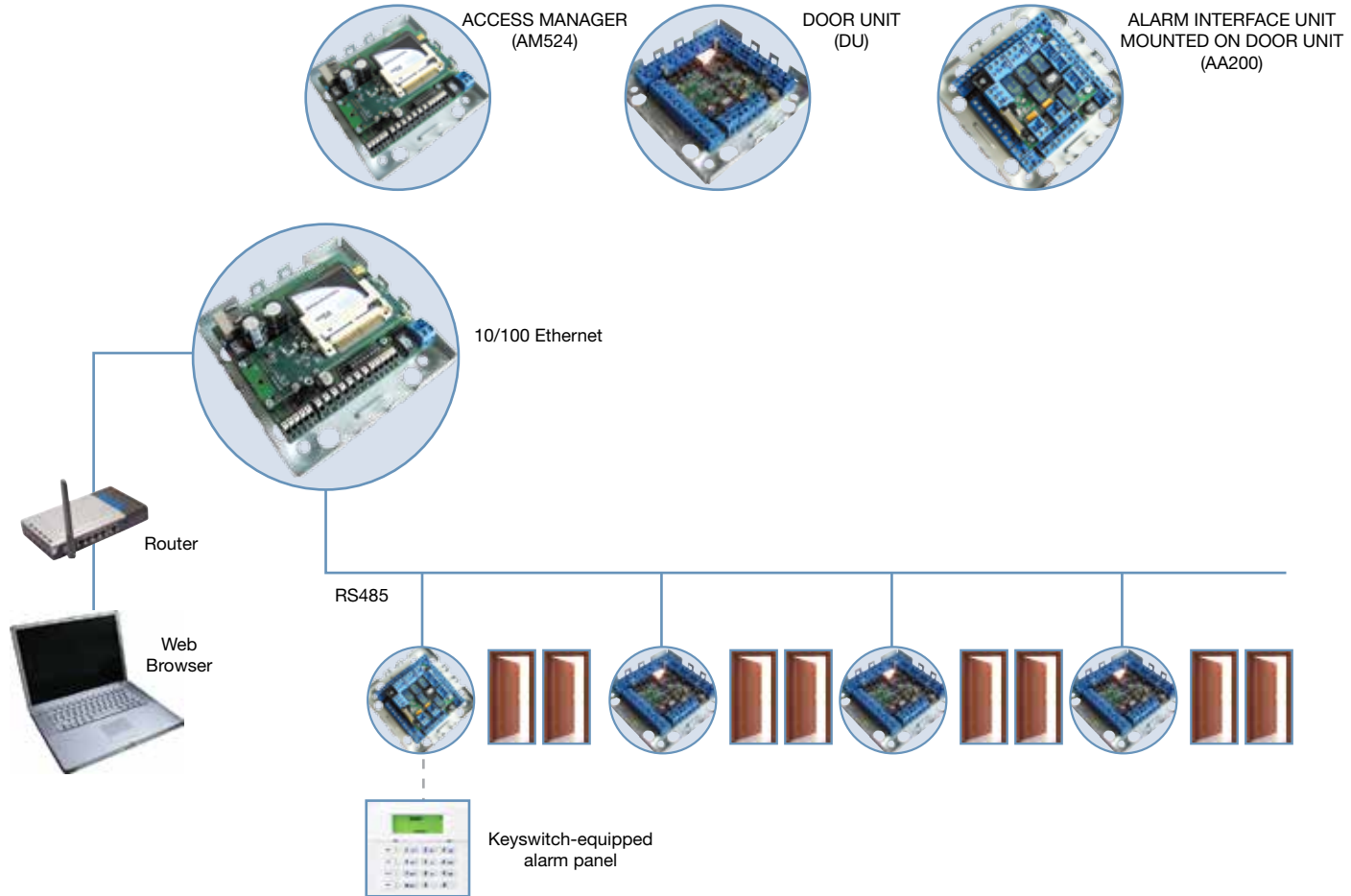
### INTUITIVE

- Intelligent module: Alarm Interface Unit connects to any alarm panel keyswitch
- Mounts directly on Door Unit (shown above)

**SPECIFICATIONS**

Mechanical.....Mounts directly on top of Door Unit module  
 Installation.....Environmentally controlled areas  
 Power.....Input: 12 to 24 VDC (24 VDC recommended) // Load: 75 mA 12 VDC  
 Dimensions.....2.4 x 2.4 x 0.6 in (60 x 60 x 15 mm)  
 Packaged Weight ..... .20 lb (91 g)  
 Operating Temperature.....32 to 104 °F (0 to 40 °C)  
 Relative Humidity .....0 to 85%, non-condensing  
 Interface.....Host: 1 dedicated // 4 x inputs, 3 x outputs, 1 x relay

**SYSTEM DIAGRAM**



**CERTIFICATIONS**



**Disclaimer:** While reasonable efforts were made to ensure the accuracy of this document at the time of printing, Kaba assumes no liability for any errors or omissions. This information is subject to be revised without notice, and changes may be incorporated in future releases.

Copyright © 2010-2013 Kaba ADS Americas. All rights reserved.

KAA1292 0413

**Kaba Access & Data Systems Americas**  
 2941 Indiana Ave  
 Winston-Salem, NC 27105  
 Tel: 1-800-849-8324  
 www.kaba-adsamericas.com

BEYOND SECURITY

