

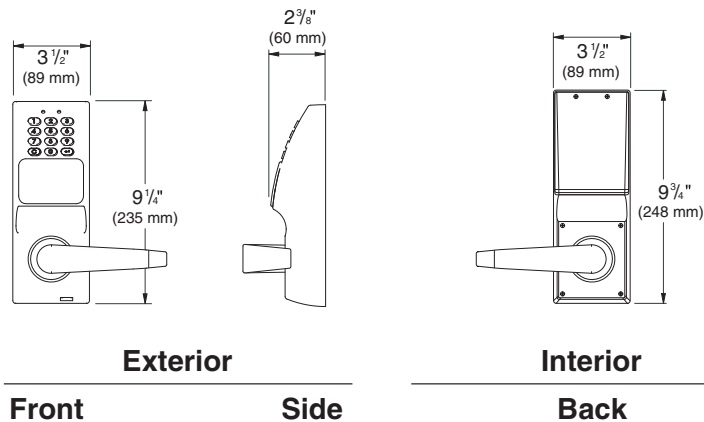
# PowerLever® PROX 9000 SERIES

Self-Powered Dual Credential Access

## Lock Specification Sheet



### Dimensions



### Self-Powered Dual Credential Access

The self-powered PowerLever PROX lock offers the flexibility of PIN code access with prox card technology to provide increased security through the use of dual credential access. Locks can be scheduled for single or dual credential access.

Controls access for up to 3,000 individual users. Audit feature records last 30,000 events.

### Applications

The PowerLever Prox is perfect for a variety of applications where the increased security of dual credential access is required – student housing, cashier offices, laboratories, restricted areas in hospitals and a variety of other applications in commercial, industrial, educational, governmental, lodging, and transportation facilities. The lock's self-powered design makes it ideal for virtually all applications from remote access points to campus-wide institutions where the hassle-free convenience of no battery changes saves not only the cost of batteries, but also the labor expense to change them.

### Features

- **Self-powered**
  - Unique PowerStar® technology generates power with each turn of the lever
  - Eliminates battery maintenance expenses
  - Low lifetime cost of ownership
- **Flexible operational modes accommodate security needs and are easily programmed**
  - Single credential access with PIN code or prox card
  - Dual credential access with PIN and prox
  - Passage
  - Lockout
- **Easy to Manage**
  - User access managed with easy to use software – users can be added or deleted quickly and uploaded to lock using qualified handheld PDAs
- Point-and-click software makes managing users a breeze – no need for IT involvement – software manages an unlimited number of doors
- Programmable user scheduling feature – 16 user defined access schedules, plus one 24-hour access schedule
- Up to 32 programmable holiday and vacation blocks
- **Extensive audit trail for added security**
  - Lock records last 30,000 events
  - Information easily uploaded or retrieved using qualified handheld PDAs
  - Tracks and monitors access patterns throughout the day

**KABA®**

# PowerLever® PROX 9000 SERIES

Self-Powered Dual Credential Access

## Lock Specification Sheet

### Mechanical

---

**Construction:** Heavy-duty Grade 1 lock; cylindrical, solid cast housings and levers, stainless steel cylindrical drive – wear tested for extensive use in indoor and outdoor applications

**Numeric keypad:** Vandal resistant, epoxy coated metal buttons, telephone-style 12 button keypad

**Door handing:** Cylindrical lock is non-handed, exit device control is field reversible

### Standard Finishes:

#### Housing:

Satin Chrome 626 (26D)

Black Powder Coat 676 (019)

#### Lever:

Satin Chrome 26D (626)

**Strike (cylindrical lock):** 4 7/8" (124 mm) ASA strike standard or 2 3/4" (70 mm) T-strike optional

**Latches (cylindrical lock):** 5/16" (14.3 mm) standard, 3/4" (20 mm) optional

**Key override:** Universal key-in-lever cylinder or small format interchangeable core

**Standard:** Conventional key-in-lever solid brass 6-pin with two nickel silver keys (factory installed)

#### Options:

Interchangeable Core – prepared for small format Best or Compatible – shipped with 2 tailpieces for Arrow, Best, Everest, Falcon, KSP Keymark, and Schlage 6 or 7 pin cores (core not supplied)  
Conventional key-in-lever cylinder – shipped with 2 tailpieces for Ilco 705, Kaba 1539, ASSA 65611, ASSA 65691, Abloy 5477, Arrow 100C, Corbin Russwin, Schlage 23-001, and Schlage Primus (cylinder not provided)

### Exit Device Operator Models:

Compatible with industry leading exit devices including:

Von Duprin 98/99 and 98-F / 99-F manufactured after 1985, Von Duprin 22 / 22-F, Sargent 8888, 12-8888, Arrow S3801, S3803, F-S3801, S-S3803, Dorma 9300, F9300, Precision 1103, FL1103, Monarch 18-R, F-18-R

**Weight:** 12 lbs. (5.45 kg)

### Electronics

---

HID proximity (Radio Frequency) reader technology supports 26 to 84 bit wiegand output

Self-Powered – PowerStar™ technology generates power each time lever is turned – no batteries required

### Indicators:

Audible and visual indicators

### Installation

---

Easy to install on wood or metal doors.

**Door preparation:** ANSI 156.2 4000 Grade 1

**Backset (cylindrical lock):** 2 3/4" (70 mm)

**Minimum Stile Required:** 5" (127 mm)

**Door thickness:** 1 5/8" (35 mm) to 2" (51 mm)

### Certifications and Testing

---

#### Accessibility standard:

Americans with Disabilities Act (ADA)

**Latch fire rating:** UL/ULC 3-hour rating

**Durability:** ANSI/BHMA A156.2, Grade 1 Certified

**Environmental Outside Housing:** -13°F (-25°C) to + 151°F (+66°C)

### Environmental Performance

---

**The lock will perform satisfactorily in the following environmental conditions:**

The lock may be used in indoor and outdoor applications.

Outdoor applications require use of a gasket kit (supplied).

A weather shield is available where freezing rain/ice is a concern.

**Warranty:** Two year

**KABA®**

**Tel.: 1-800-849-8324**  
**www.kabaaccess.com**