



Application

The 2000 Series switch control provides fully mechanical pushbutton access control for electrically operated equipment. After entering the correct combination, the thumbturn may be activated once before returning to locked mode. Depending on the model, the thumbturn may open or close a momentary switch, or trip a timed switch that remains energized for an adjustable length of time. Designed for surface mounting on a wall or frame, any distance from the device being controlled.

2000 Series switch controls are ideal for limiting access to elevators, parking garages, gates and maglock and electric strike doors such as apartment building entrances, alarm systems or any other security sensitive electrical equipment that incorporates a latching relay in a commercial, industrial or residential setting. These switch controls are perfect for locations with a high personnel turnover rate such as data processing centers, employee entrances, service elevators, R&D labs, and restricted areas in hospitals, offices, hotels and airports. Can be used as a convenient and secure reset switch on equipment such as escalators, elevators, and machinery for use after an emergency shutdown.

The pushbutton design eliminates problems associated with the issue, control, and collection of keys and magnetic cards. The combination can be quickly and easily changed to ensure continued maximum security once employees, tenants, or guests leave, saving the cost of new keys, key cylinders, magnetic cards, and card-encoding devices. The combination is changed without removing the switch control from the wall.

Features

Mechanical control of electrical switch:

The lock does not draw current.

Versatile: Compatible with existing wiring systems; operates all makes and voltages of electric releases. Can be wired for fail-safe or fail-secure.

One-hand operation: Depress the buttons in the correct sequence and rotate the thumbturn to activate the switch.

Thousands of possible combinations:

Authorized individuals can change the combination in seconds. One or all five buttons can be used in the combination with two or more buttons depressed simultaneously.

Visual shield: Restricts observation of user codes.

Rugged & weather resistant:

The lock is wear-tested for intensive use.

Key locked cover: Allows convenient combination changes by authorized personnel only. Conceals all mounting hardware to discourage tampering.

Easy to install: Simple mounting procedure and only two wires to connect.

Includes: Installation instructions, full-scale template, combination change key.

Contact Options

Momentary contact switch for operating equipment with built-in timers or latching relays such as garage door openers, gates and elevators. For maglock and electric strike installation, control must be positioned so thumbturn can be rotated and held while door is opened.

Variable time delay for electric strikes and equipment that needs to remain energized for a set interval. Allows the user to reach the door from the switch control, which can be placed at any convenient location. The pneumatic timer draws no current and is unaffected by changes in voltage.

Specifications

Electrical rating: UL-rated switch; 10.5 Amps at 125-250 VAC; 10.5 Amps at 28 VDC

Construction: All metal; cast front housing

Stile Width: 3 $\frac{1}{8}$ " (79 mm) minimum stile or space required for mounting

Installation: Surface mounted any distance from equipment controlled

Timer: Maintains a closed or open circuit for 2-60 seconds, variable with an adjustment screw. NO and NC contacts.

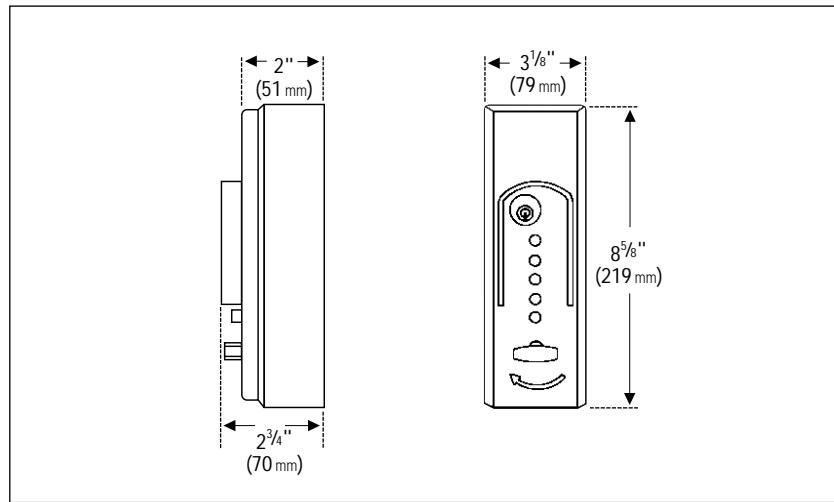
Control: Includes keys for combination change

Finishes: 26D (626) Satin Chrome

Weight: 4 lbs. (1.8 kg)

Environment: Time delay models operate from +15°F to 120°F (-9°C to 49°C)

Dimensions



Ordering Information

Example

Model 2003 with normally open momentary switch and Satin Chrome finish, packaged one per box.



Build the part number with the features you require:



Model	Description
2001	2000 Series switch control with variable time delay (energized for 2 to 60 seconds)*
2003	2000 Series switch control with momentary contact switch (normally open)
2005	2000 Series switch control with momentary contact switch (normally closed)

* Can be wired for normally closed (NC) or normally open (NO) operation.

Finish	Description
26D	Satin Chrome (626)

Packaging	Description
41	1 per box