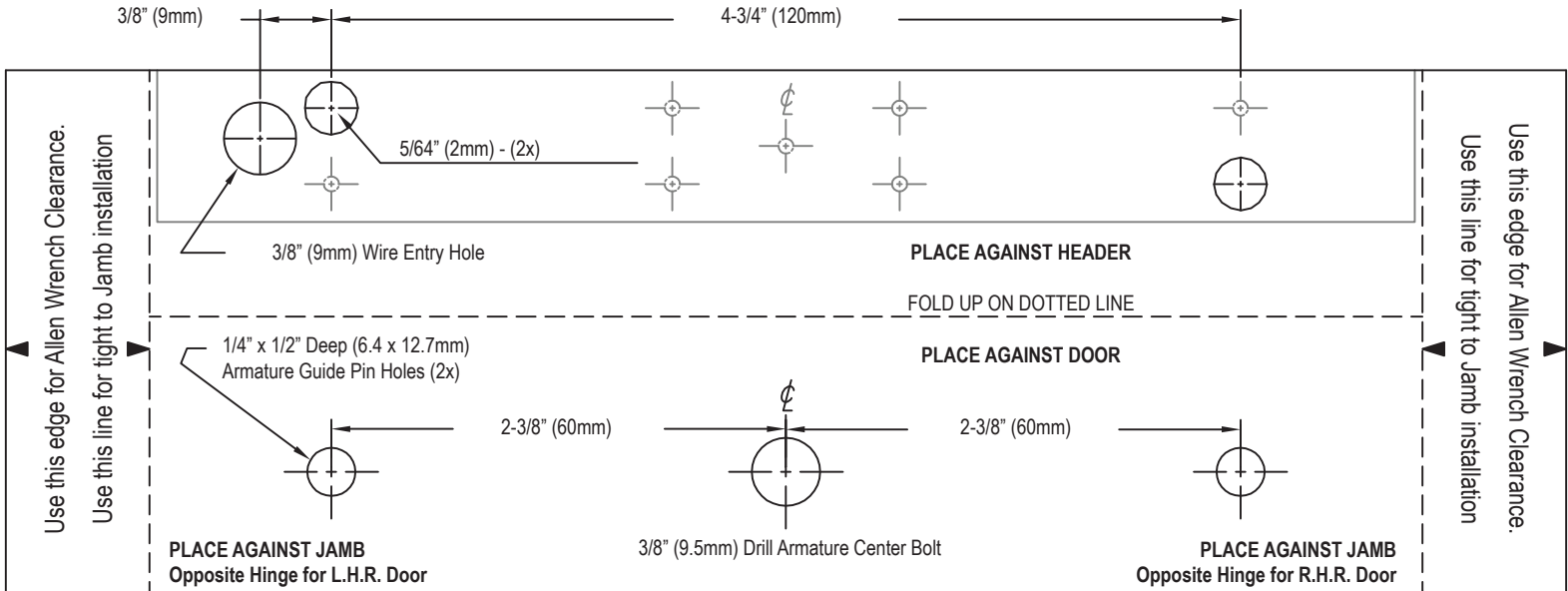


TEMPLATE FOR 8375



MOUNTING INSTRUCTIONS FOR RC1 8375 MICROMAG®

Installation of this product should be done by an experienced installer with knowledge of this product.

Step 1 Read Pre-Installation Instructions.

Step 2 Prepare Door and Header

Fold template on dotted line.
Tape template against closed door and header as indicated.
Drill the 3 holes in the door and 3 holes in the header.
Do not use as a doorstop. This will void warranty.

Step 3 Mount Armature Plate

Position the bolt with rubber head through the armature plate.
Add 3 washers (steel – rubber – steel) onto bolt.
Carefully apply thread locking compound to exposed thread.
While aligning pins, secure armature plate to door by threading into the sexnut.

NOTE: Do not over tighten armature plate.
It must remain movable to allow surface alignment with electromagnetic lock face.

Step 4 - Mount Electromagnetic Lock

Noting which edge faces the armature plate, remove mounting bracket and endcap from electromagnetic lock per Fig.1 of installation instruction.
Set the voltage selection jumpers as per Fig.2 of installation instruction.
Re-attach endcap.
Fasten the mounting bracket against the header as drilled and check alignment with the armature plate.
Secure mounting bracket with the 9 flat head TEK screws.
Connect power supply wire and 8375 leads.
Feed into frame.

Tip the electromagnetic lock to expose 2 captive mounting screws.
Carefully apply thread locking compound to exposed threads.
Secure electromagnetic lock to mounting bracket.

When properly installed, the ends of the armature plate allow a slight movement but the plate will feel secure when grasped at the bolt.
There should be no movement to the mounting bracket or housing of the electromagnetic lock.

WARNING: Improper installation, maintenance, inspection or usage of the product or any related accessories or parts may cause the electromagnetic lock, armature plate and associated hardware to disengage and fall, causing serious bodily injury and property damage. dormakaba Canada Inc. and/or dormakaba USA Inc. will not be liable to the installer, purchaser, end user or anyone else for damage or injury to person or property due to improper installation, care, storage, handling, maintenance, inspection, abuse, misuse or act of God or nature involving this product or any related accessories or parts.

dormakaba 