



**EA**

## The expansive range with slimline bodies for offset hung doors

EA patch fittings are characterized by their slim, neat shape and skilful hinge design. This comprehensive range of fittings allows the transparent elegance of single-action doors to reach their full potential – whether hung in frames or integrated in toughened glass assemblies.

### Easy glass preparation secure fixing

dormakaba has an intimate knowledge of the special properties of glass as a building material. This has led to the design of fittings requiring only minimal glass preparation – a quick and easy cut out with additional holes. Carefully considered and positive measures have been taken to create the maximum clamping surface with optimum clamping efficiency.

### Suitable for 10, 12 and 8 mm glass thicknesses

DORMA EA patch fittings are available for 10 and 12 mm glass thicknesses. With additional gaskets these fittings can also be used for 8 mm glass.

### Reliability built in

Quality materials and thorough workmanship mean that EA patch fittings have the features necessary to meet the most demanding of specifications.

### Matching range of locks

The EA range includes a variety of locks and strike boxes in a matching design concept, giving the designer plenty of choice from the options available.

### Virtually unlimited choice of colours and finishes

EA corner patches are available in the following finishes

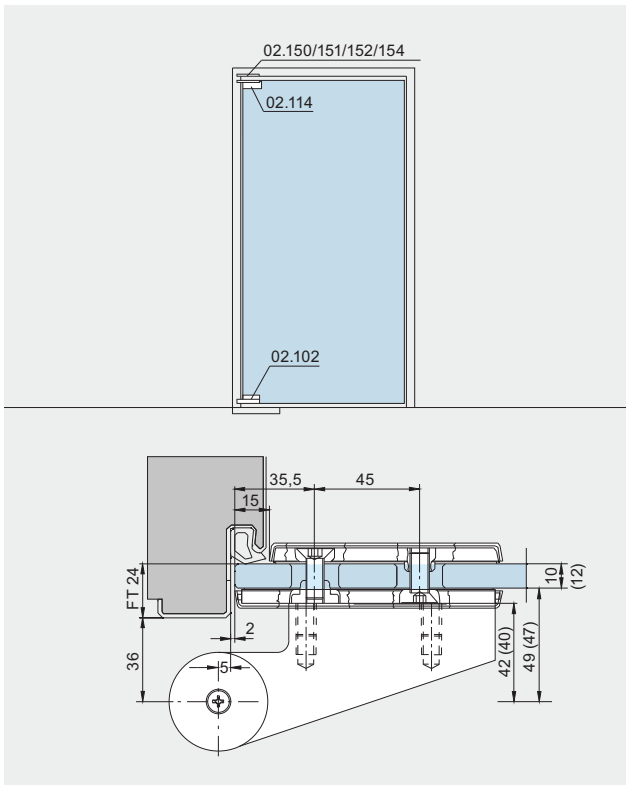
- Aluminum, silver anodised EV 1, C 0 (101)
- Aluminum, similar satin stainless steel (107)
- Brass, polished chromed (501)
- Brass, polished (503)
- Bespoke colour anodising (199)
- Bespoke powder coating (399)

### Short delivery times

All the common patterns and types are available ex-stock (factory). Specials will be prepared promptly.



# Offset hung doors in rebated frames and toughened glass assemblies



## Offset hung doors in rebated frames

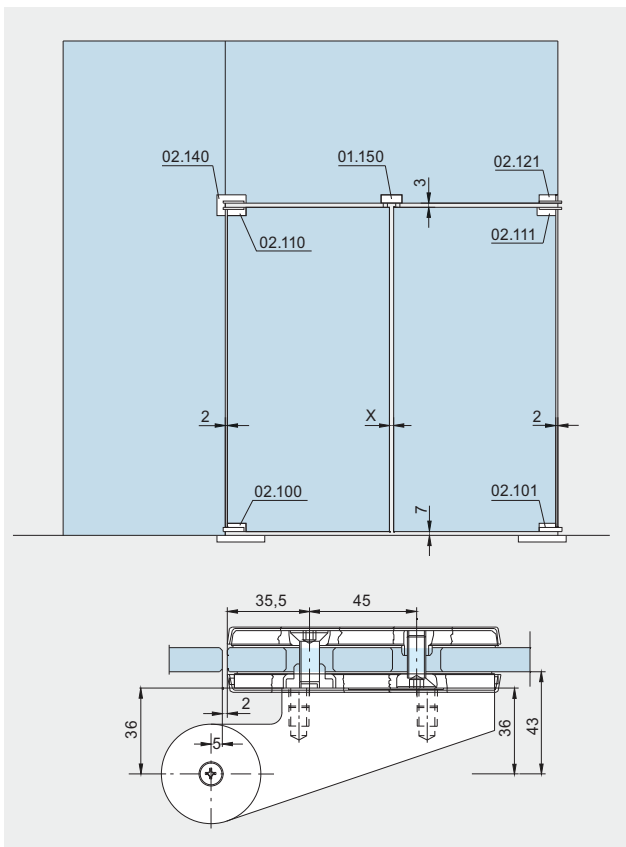
max. door weight: 90 kg  
max. door width: 1000 mm,  
using a bottom door rail: 1100 mm

EA patch fittings for offset hung doors in rebated frames are supplied as standard prepared for 24 mm rebate depth. They can be prepared to suit rebate depths from 15 – 23 mm, and from 25 – 40 mm. Please specify rebate depth with order.

max. door weight for 25–40 mm rebate depth: 80 kg  
max. door width for 25–40 mm rebate depth: 900 mm  
For doors with max. weight of 80 kg and max. width of 1000 mm use door rails.

The top centre frame portions are prepared to suit wood and steel frames. For aluminum frames, please enquire, giving details of aluminum system.

FT = rebate depth



## Offset hung doors in toughened glass assemblies

max. door weight: 100 kg  
max. door width: 1100 mm

For door weights up to 100 kg and widths up to 1200 mm, door rails should be used.

EA patch fittings for offset hung doors in toughened glass assemblies have a 36 mm offset (= 43 mm from pivot point to glass surface).

### Gap required between leaves on pairs of doors

Individual leaf width in mm	X = gap required in mm
400–600	8
600–1000	6

### Torque for fixing screws

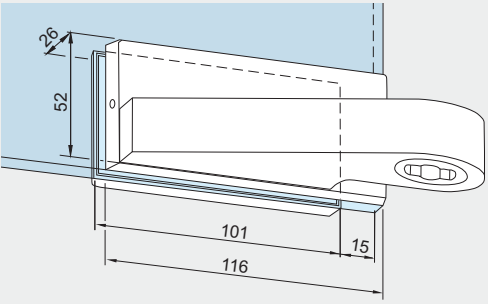
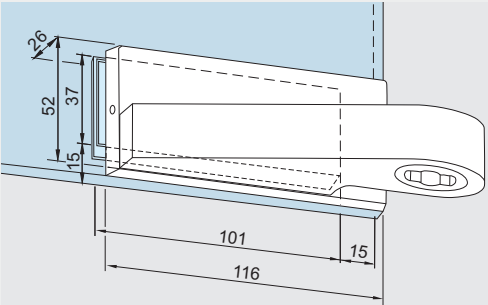
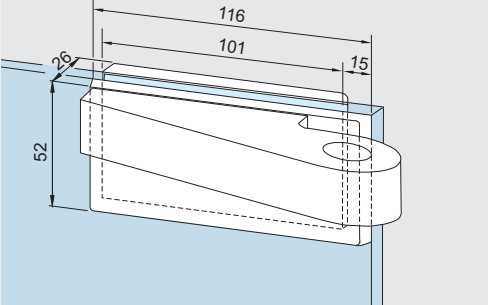
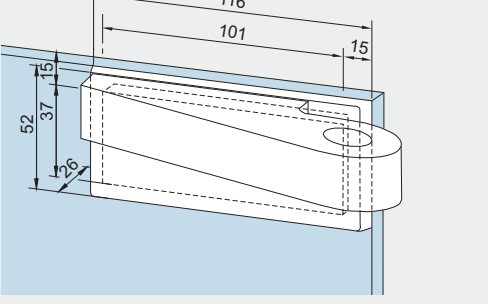
Screws M 8: 12 Nm

# Patch fittings for offset hung doors in rebated frames with 24 mm rebate depth

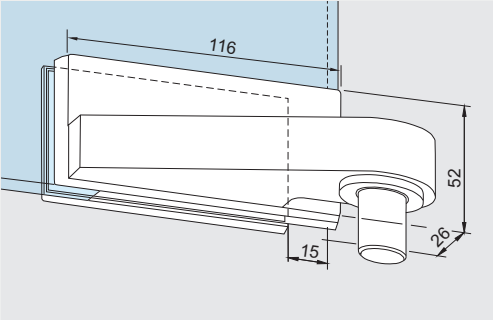
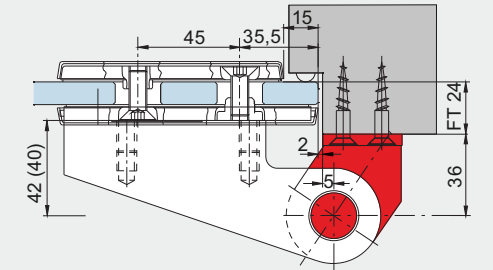
For 10 mm glass thickness (42 mm offset = 49 mm from pivot point to glass surface), complete.

For 12 mm glass thickness (40 mm offset = 47 mm from pivot point to glass surface), complete.

Accessories see page 158.

	Product description	Glass thickness	Art. No.
	<b>Bottom patch fitting</b> to suit DORMA floor spring spindle, or round pivot 14 mm Ø counter-plate reduced by 15 mm to give free glass edge at side  Weight in kg: aluminum 0.747 brass 1.348	10 mm	*02.102/02.103
		12 mm	*02.160/02.161
	<b>Bottom patch fitting</b> to suit DORMA floor spring spindle, or round pivot 14 mm Ø counter-plate reduced by 15 mm to give free glass edge at side and bottom  Weight in kg: aluminum 0.715 brass 1.308	10 mm	*02.104/02.105
		12 mm	*02.162/02.163
	<b>Top patch fitting</b> counter-plate reduced by 15 mm to give free glass edge at side  Weight in kg: aluminum 0.680 brass 1.314	10 mm	*02.112/02.113
		12 mm	*02.164/02.165
	<b>Top patch fitting</b> counter-plate reduced by 15 mm to give free glass edge at side and top  Weight in kg: aluminum 0.644 brass 1.271	10 mm	*02.114/02.115
		12 mm	*02.166/02.167

\* Order of Art.No.: Left hand / right hand – determined by view from hanging side. (Illustration shows right hand)

Product description	Glass thickness	Art. No.
 <p><b>Overpanel patch fitting</b> counter-plate reduced by 15 mm to give free glass edge at side, bushing outside Ø 20 mm, pivot Ø 15 mm</p> <p>Weight in kg: aluminum 0.654 brass 1.292</p>	10 mm 12 mm	*02.122/02.123 *02.168/02.169
 <p><b>Top patch fitting</b> complete with pivot for frame fixing, counter-plate reduced by 15 mm to give free glass edge at side</p> <p>Weight in kg: aluminum 0.915 brass 1.821</p>	10 mm 12 mm	*02.206/02.207 *02.170/02.171

\*Order of Art.No.: Left hand / right hand – determined by view from hanging side.  
(Illustration shows right hand)

# Patch fittings for offset hung doors in rebated frames with individual frame stop depth

## Please specify rebate depth with order.

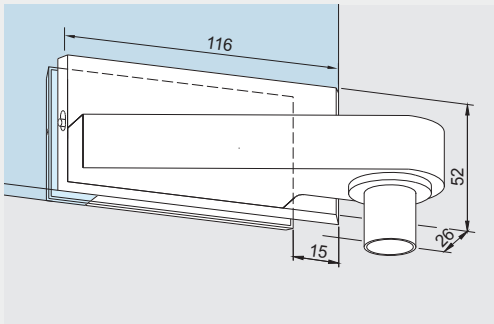
Rebate depth X = distance between outer surface of frame and rebate/stop (15 to 23 resp. 25 to 40 mm).

Offset = rebate depth + 18 mm (33 to 41 resp. 43 to 58 mm). Complete, for 10 mm glass thickness.

Accessories see page 158.

	Product description	Art. No.
	<p><b>Bottom patch fitting</b> to suit DORMA floor spring spindle or round pivot 14 mm Ø, counter-plate reduced by 15 mm to give free glass edge at side</p> <p>Weight in kg: aluminum 0.832 brass 1.591</p>	<b>*02.106/02.107</b>
	<p><b>Bottom patch fitting</b> to suit DORMA floor spring spindle or round pivot 14 mm Ø, counter-plate reduced by 15 mm to give free glass edge at side and bottom</p> <p>Weight in kg: aluminum 0.800 brass 1.548</p>	<b>*02.108/02.109</b>
	<p><b>Top patch fitting</b> counter-plate reduced by 15 mm to give free glass edge at side</p> <p>Weight in kg: aluminum 0.760 brass 1.569</p>	<b>*02.116/02.117</b>
	<p><b>Top patch fitting</b> counter-plate reduced by 15 mm to give free glass edge at side and top</p> <p>Weight in kg: aluminum 0.728 brass 1.526</p>	<b>*02.118/02.119</b>

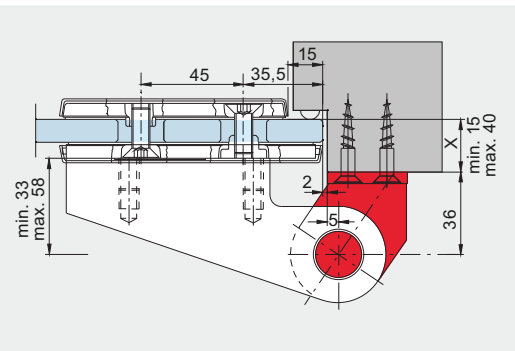
\*Order of Art.No.: Left hand / right hand – determined by view from hanging side.  
(Illustration shows right hand)

**Product description****Art. No.****Overpanel patch fitting**

counter-plate reduced by  
15 mm to give free glass edge at side

Weight in kg:  
aluminum 0.724  
brass 1.502

\*02.124/02.125

**Top patch fitting**

complete with pivot for frame fixing,  
counter-plate reduced by 15 mm to give free  
glass edge at side

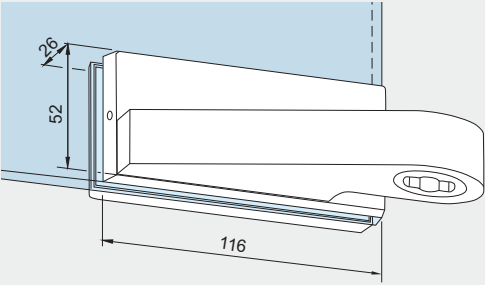
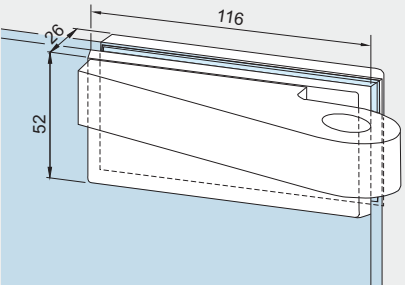
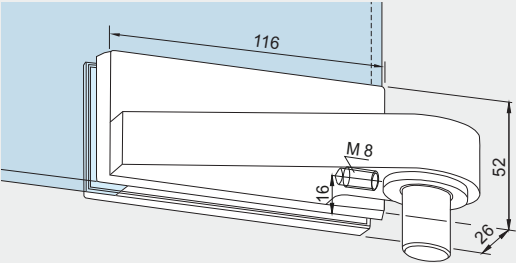
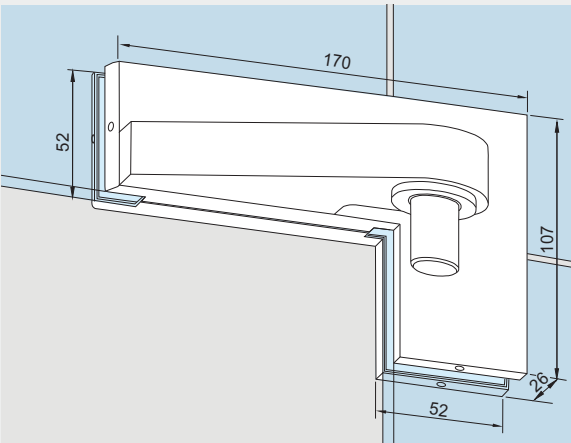
Weight in kg:  
aluminum 0.995  
brass 2.076

\*02.208/02.209

\*Order of Art.No.: Left hand / right hand – determined by view from hanging side.  
(Illustration shows right hand)

# Patch fittings for offset hung doors in toughened glass assemblies

(36 mm offset = 43 mm from pivot point to glass surface), complete, for 10 and 12 mm glass thickness.

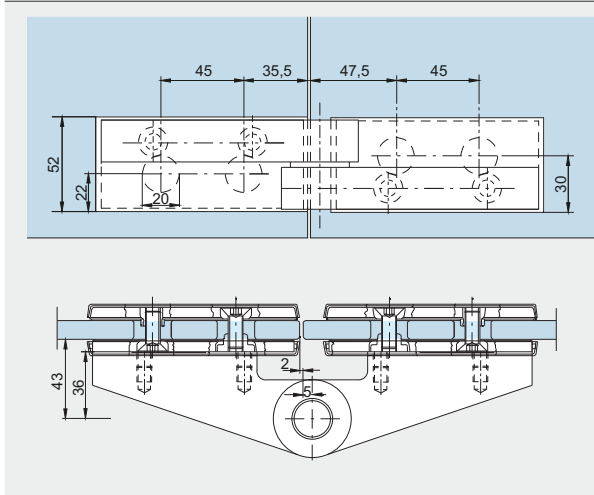
	Product description	Art. No.
	<p><b>Bottom patch fitting</b> to suit DORMA floor spring spindle, or round pivot 14 mm Ø</p> <p>Weight in kg: aluminum 0.730 brass 1.276</p>	<b>*02.100/02.101</b>
	<p><b>Top patch fitting</b></p> <p>Weight in kg: aluminum 0.660 brass 1.243</p>	<b>*02.110/02.111</b>
	<p><b>Overpanel patch fitting</b> bushing outside Ø 20 mm, pivot Ø 15 mm</p> <p>Weight in kg: aluminum 0.637 brass 1.193</p>	<b>*02.120/02.121</b>
	<p><b>Patch fitting for overpanel and sidelight</b> bushing outside Ø 20 mm, pivot Ø 15 mm</p> <p>Weight in kg: aluminum 0.832 brass 1.409</p>	<b>*02.140/02.141</b>

\* Order of Art.No.: Left hand / right hand – determined by view from hanging side. (Illustration shows right hand)



## Product description

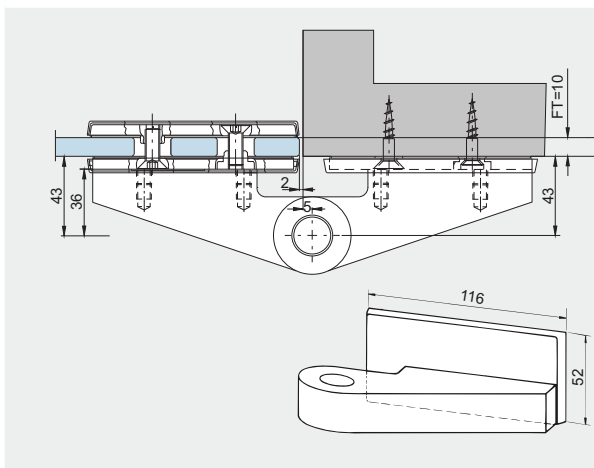
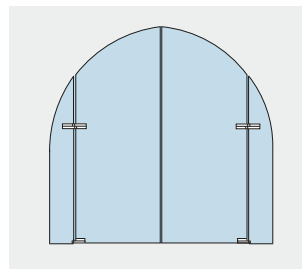
Art. No.

**Top patch fitting**

complete with pivot for sidelight

**\*02.200/02.201**

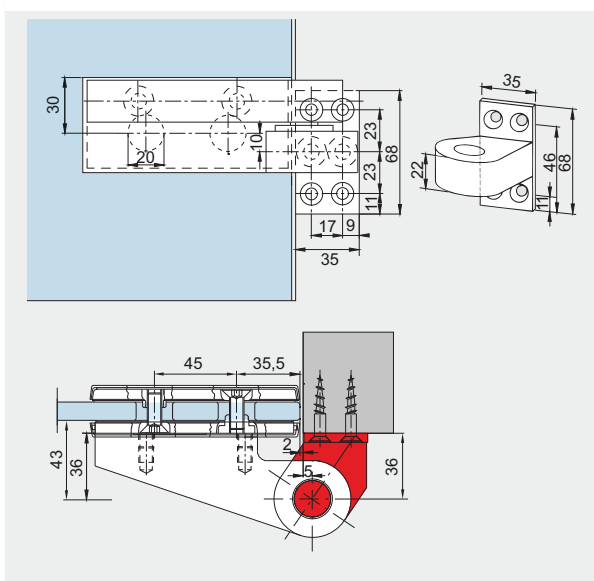
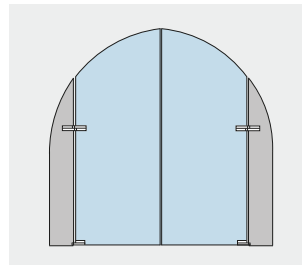
Weight in kg:  
aluminum 1.415  
brass 2.581

**Top patch fitting**

complete with pivot for wall fixing

**\*02.202/02.203**

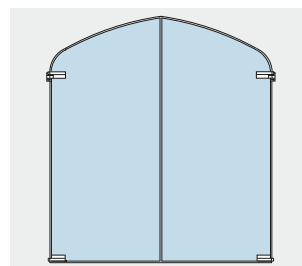
Weight in kg:  
aluminum 1.277  
brass 2.528

**Top patch fitting**

complete with pivot for frame fixing

**\*02.204/02.205**

Weight in kg:  
aluminum 0.895  
brass 1.750

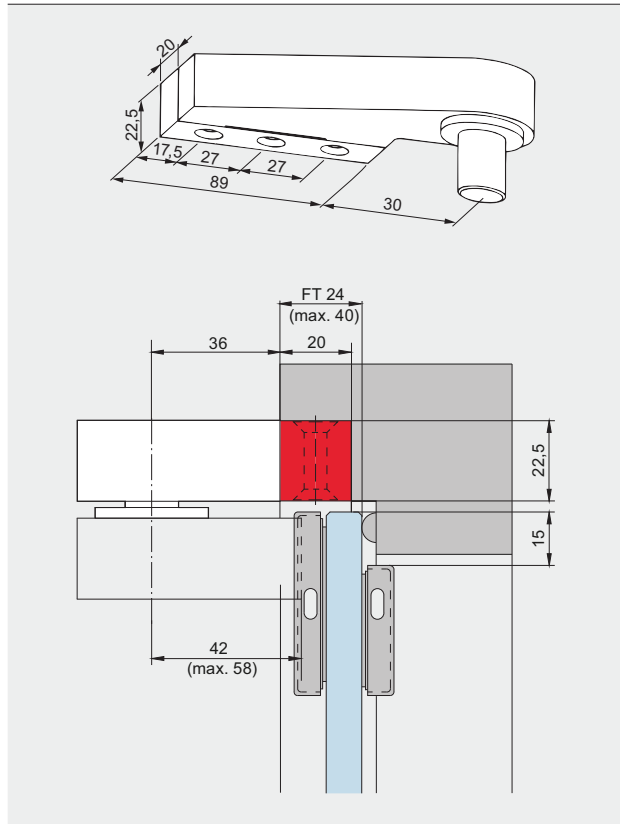


\* Order of Art.No.: Left hand / right hand – determined by view from hanging side. (Illustration shows right hand)

# Top centres for wood and steel frames

**Product description**

**Art. No.**

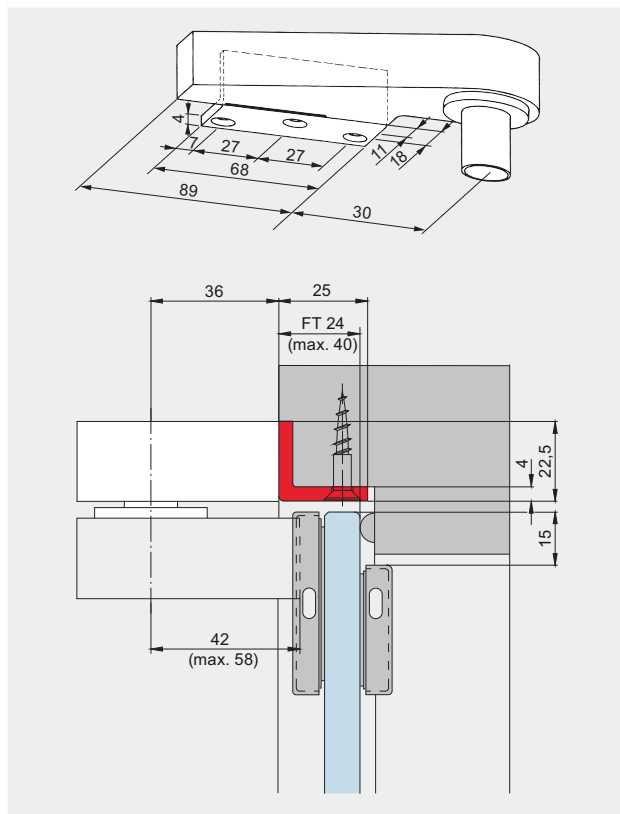


**Frame top centre**  
with fixing block

**02.150**

Weight in kg:  
aluminum 0.471  
brass 0.977

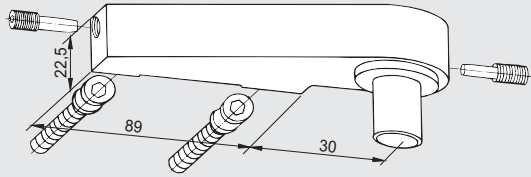
If corner fittings / door rails are combined with frame top centres as described, please indicate rebate depth with order.



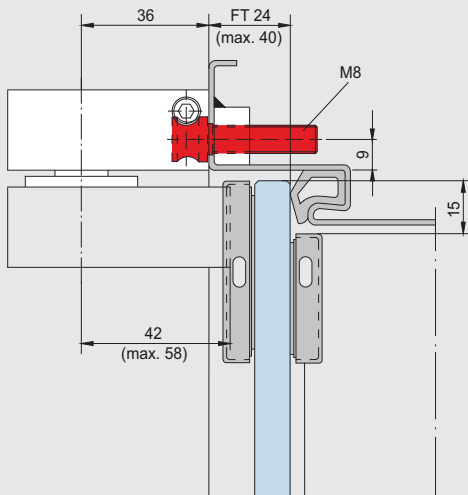
**Frame top centre**  
with angle bracket

**02.151**

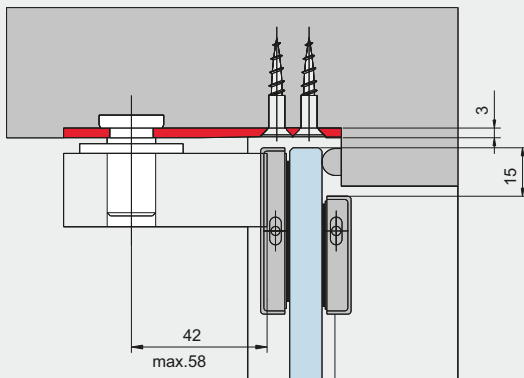
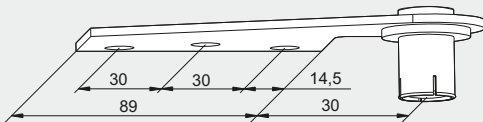
Weight in kg:  
aluminum 0.453  
brass 0.959

**Product description****Art. No.****Frame top centre**

only for steel frames, with special wedge screw fixing

**\*02.152/02.153**Weight in kg:  
aluminum 0.390  
brass 1.896**Drill jig:****8.02.081.001.50****Frame top centre AT 212 GSR**

with mounting plate

**\*02.340/02.341**Weight in kg:  
Stainless steel 0.215

\*Order of Art.No.: Left hand / right hand – determined by view from hanging side. (Illustration shows right hand)

# Glass preparation

	Product description	Art. No.							
	<b>Bottom patch fittings</b>	left	<b>02.100</b> <b>02.102</b> <b>02.104</b> <b>02.106</b> <b>02.108</b> <b>02.160</b> <b>02.162</b>						
		right	<b>02.101</b> <b>02.103</b> <b>02.105</b> <b>02.107</b> <b>02.109</b> <b>02.161</b> <b>02.163</b>						
		<b>Scale 1 : 2</b>							
			<b>Top patch fittings</b>	left	<b>02.110</b> <b>02.112</b> <b>02.114</b> <b>02.116</b> <b>02.118</b> <b>02.164</b> <b>02.166</b>				
				right	<b>02.111</b> <b>02.113</b> <b>02.115</b> <b>02.117</b> <b>02.119</b> <b>02.165</b> <b>02.167</b>				
				<b>Scale 1 : 2</b>					
					<b>Overpanel patch fittings</b>	left	<b>02.120</b> <b>02.122</b> <b>02.168</b>		
						right	<b>02.121</b> <b>02.123</b> <b>02.169</b>		
						<b>Scale 1 : 2</b>			
							<b>Patch fittings for overpanel and sidelight</b>	left	<b>02.140</b>
								right	<b>02.141</b>
								<b>Scale 1 : 2</b>	