

1234 DOOR SELECTOR



Fitting Instructions

1) Prepare Door & Frame

Select active & inactive door. Astragal should be fitted to active door. In case of rebated doors, the active leaf overlaps the the inactive door allowing both doors to close flush with frame.

2) Fit wear plates (Section A).

Long wear plate on active door 26mm in from door edge. Short wear plate on inactive door

3) Fit door selector (Section B).

Close door and position door selector on underside of door frame so that end of door selector with short release lever is overlapping the inactive door by 40mm.

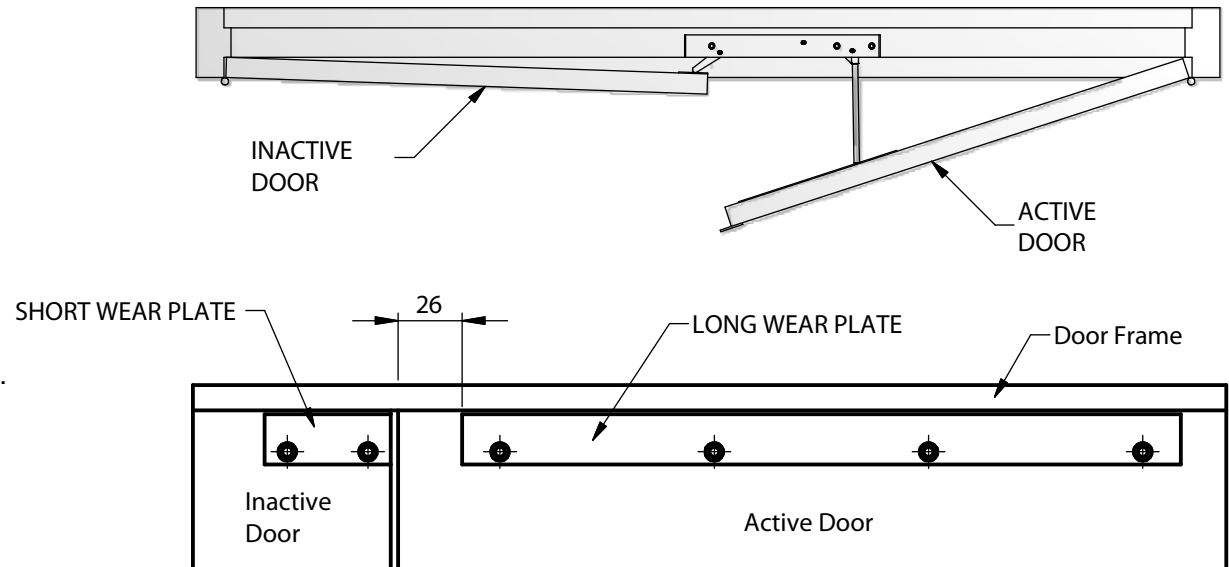
4) Using door selector as a template mark 3 x fixing points.

5) Remove door selector and using previously marked fixing points, drill pilot holes in frame.

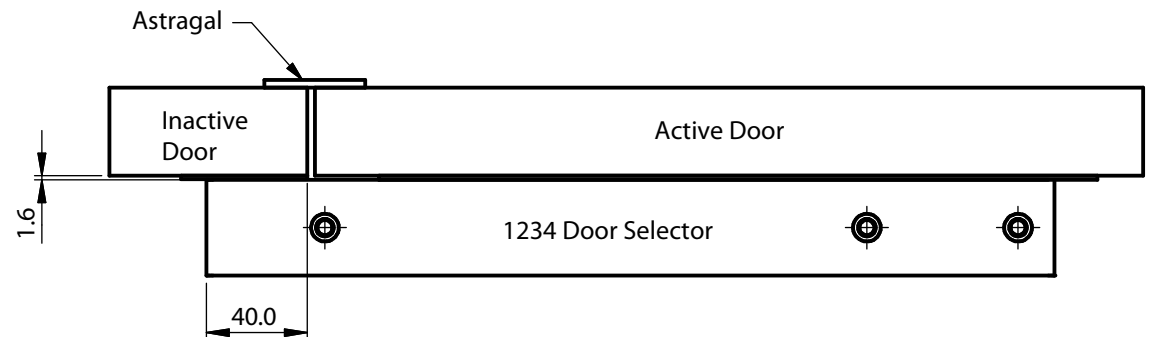
6) Place door selector in position and using 3 x fixing screws supplied, fix to the frame.

7) Test door for correct clearance and co-ordination.

Note: When installed in conjunction with a door seal, a packing plate may be required.



SECTION A



SECTION B