



**RSP 80**

# Content

## RSP 80

156	<b>General information</b>
157	<b>Type illustrations</b>
160	<b>Accessories</b>
179	<b>Safety-related information</b>

# A safe connection



### Minimal gap dimensions

Design specifications automatically ensure very small gap dimensions between glass and wall.

### Sophisticated track roller assembly – secure hold

The RSP 80 is able to satisfy a wide range of customer requirements up to the highest level: its two visible and maintenance-free roller carriers are rated to support glass panels of up to 80 kg in weight. A total of 4 glass drillholes with diameters of 26 mm serve to locate the glass fixings. The proven track roller engineering ensures particularly smooth and quiet operation. In terms of running ease, the RSP 80 satisfies the criteria of Class 3 according to EN 1527 – that means that a maximum of 30N of the door mass has to be overcome as initial friction in order to set the door in motion.

### Exact stopping

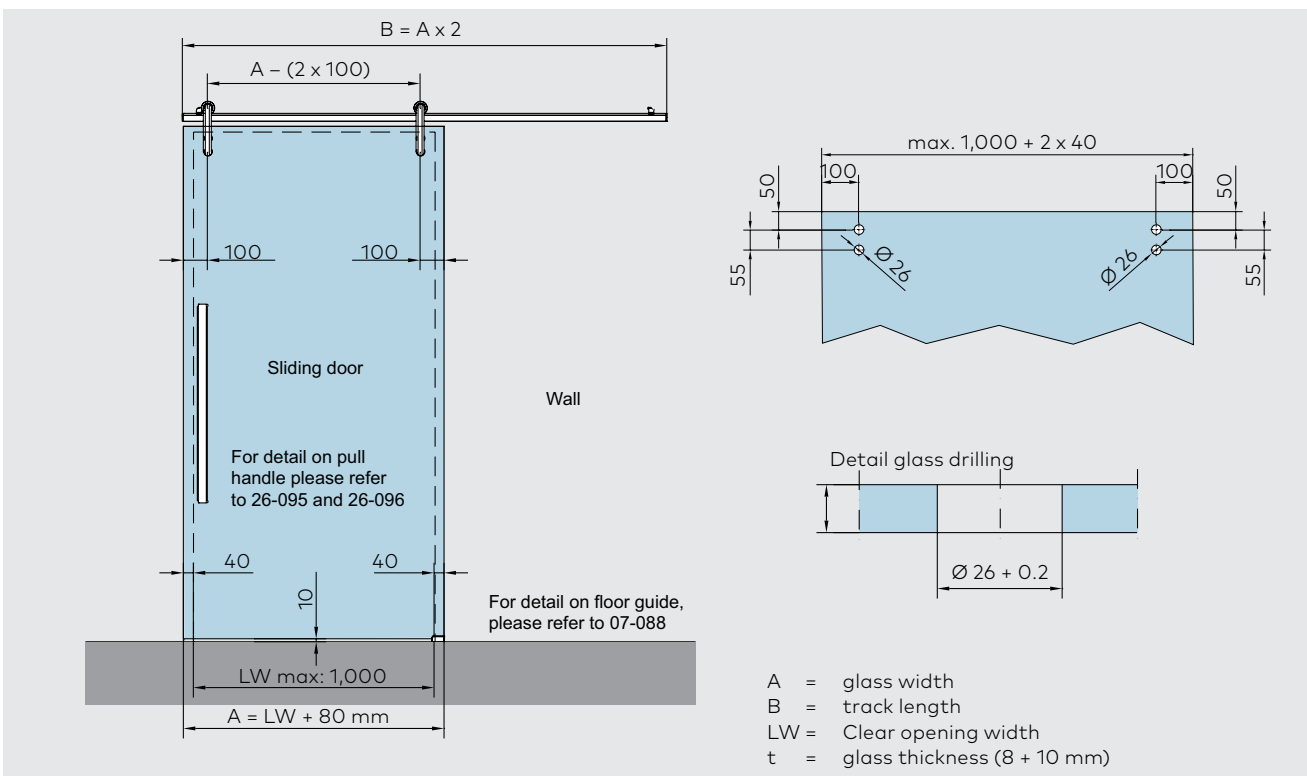
The exact endposition of the door both in the opening and the closing direction is variable thanks to the selectable position of the end stops.

### Elegant floor guidance

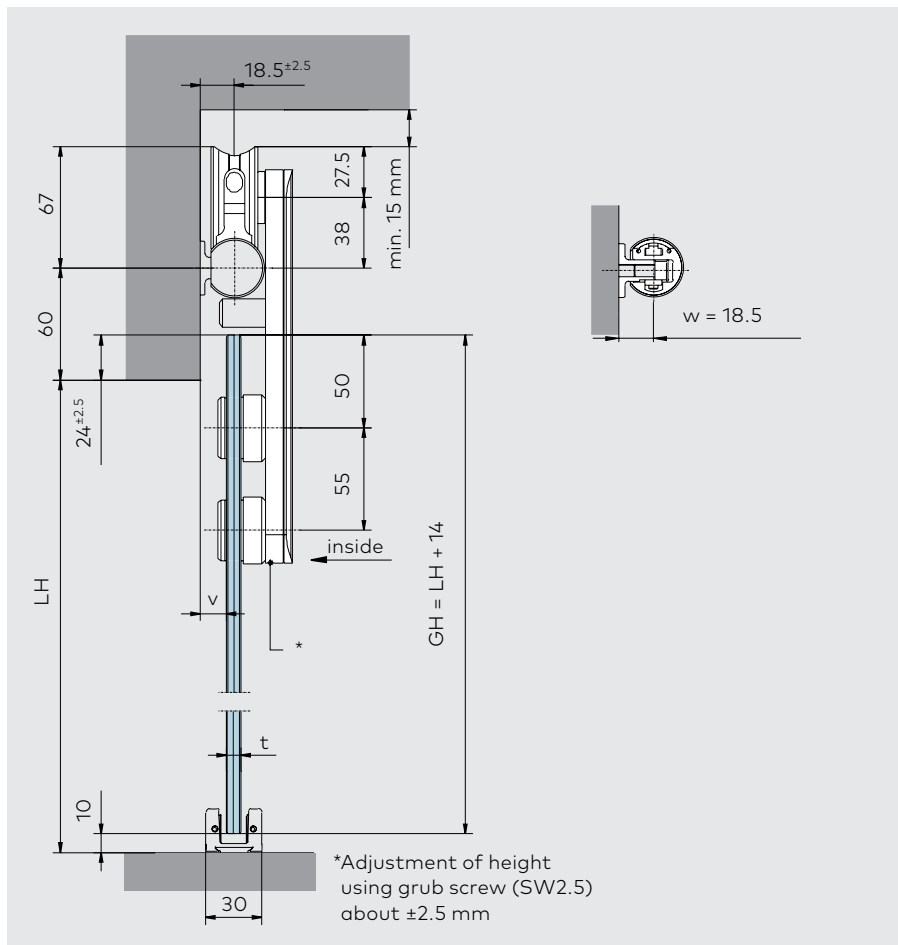
The AGILE floor track offers an impressive combination of effective functionality and attractive design. Its two-part construction means it is very easy to install, and its infinite adjustability between 8 and 13.5 mm ensures safe and secure guidance of the glass panels.

### Impressive durability

Very long service lifetimes have been proven in protracted tests consisting of over 50,000 motion cycles (to EN 1527). And the RSP 80 range also offers the highest level of corrosion resistance, making these fittings more than suitable for employment in humid rooms (not for sauna, baths or brine bath applications).



# Glass applications



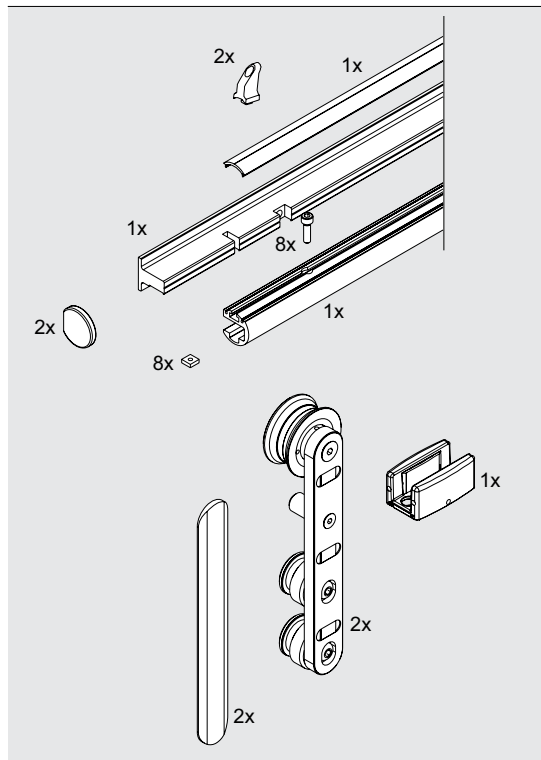
GH = Glass height  
 LH = Clear opening height  
 t = Glass thickness  
 v = Gap between door panel  
 and wall

t	v
8 mm	14.5 mm
10 mm	12.5 mm

## Set and components for glass applications

## Features and data

## Art. No.



### Set

#### RSP 80 sliding door set for 10 mm glass

consisting of track profile (2,000 mm)  
for max. panel width 1,080 mm,  
roller,  
stopper and floor guide,  
material: aluminum EV1-Deco  
Weight in kg: 5.6

30.700

### Components for glass applications

#### Roller carrier, stop and floor guide

30.701

#### RSP 80 track profile for mounting to wall

stock length 6,000 mm

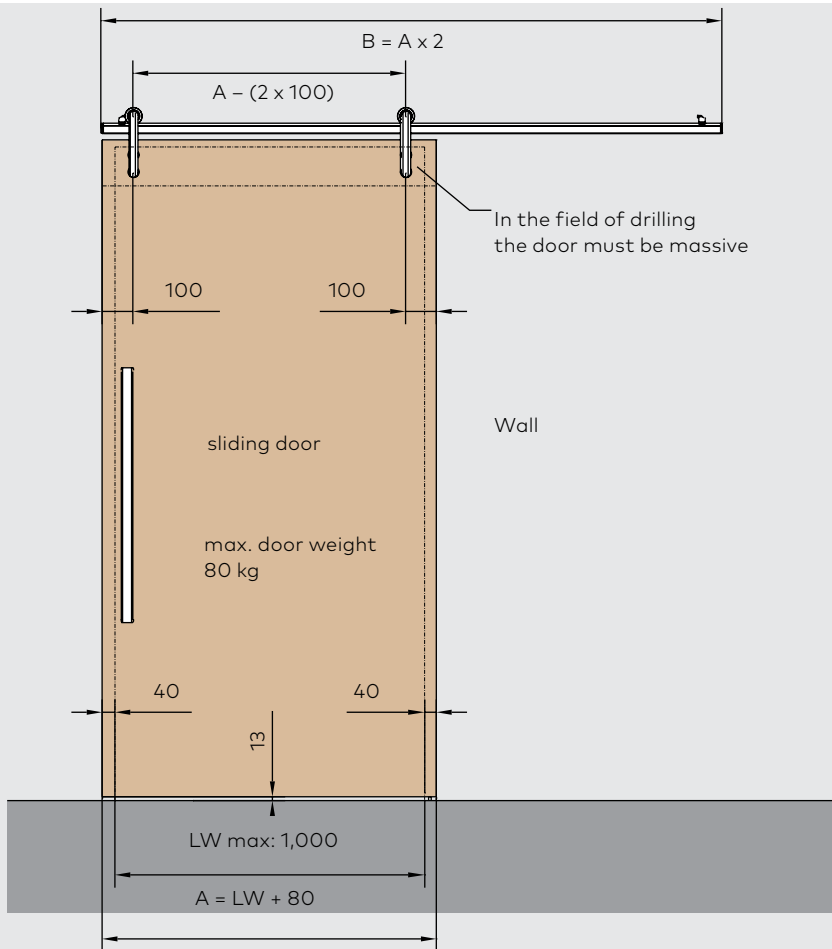
30.705

#### RSP 80 track profile for mounting to wall

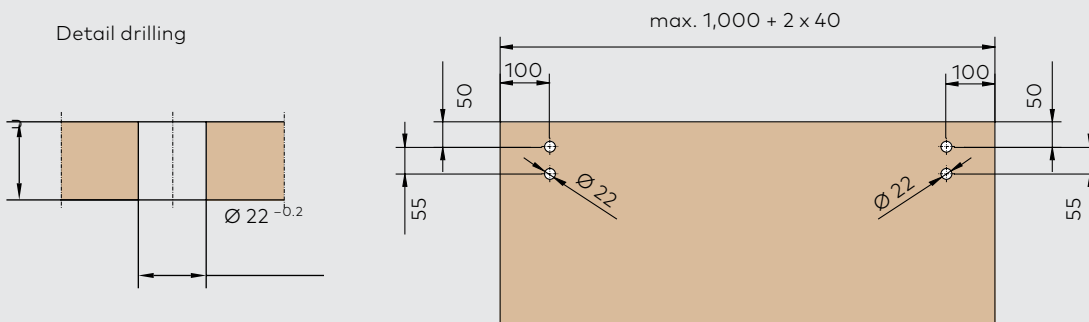
in fixed length (should not go below min. door  
width 800 mm / track profile 1,600 mm)

30.706

# Timber applications

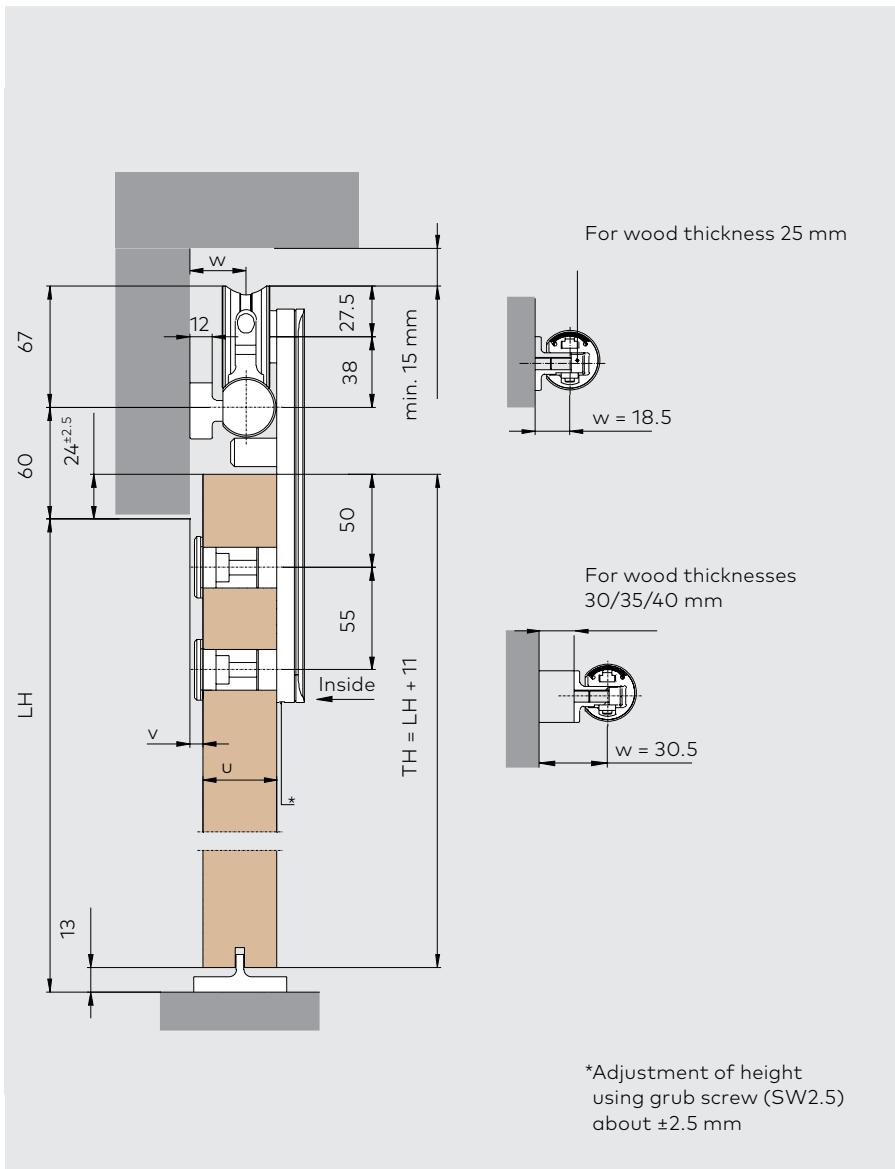


Detail drilling



The side overhang of the sliding door should be 40 mm

- A = timber door width
- B = track length
- LW = clear opening width
- u = wood thickness (25–40 mm)



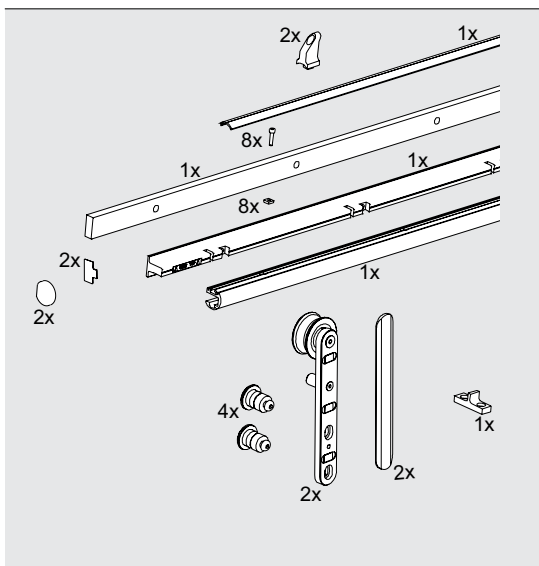
TH = Door height  
 LH = Clear opening height  
 u = Wood thickness  
 (25 – 40 mm)  
 v = Gap between door panel  
 and wall

u	v	w
25 mm	10.3 mm	18.5 mm
30 mm	17.3 mm	30.5 mm
35 mm	12.3 mm	30.5 mm
40 mm	7.3 mm	30.5 mm

**Set and components for timber applications**

**Features and data**

**Art. No.**



**Set**  
**RSP 80 sliding door set for timber applications (25–40 mm)**

**30.707**

consisting of track profile for max. panel width 1080 mm, roller, stopper and floor guide, material: aluminum EV1-Deco  
 Weight in kg: 5.6

**Components**  
**Roller carrier, stop and floor guide for timber applications**

**30.708**

**RSP 80 track profile for mounting to wall (timber applications)**  
 stock length 6,000 mm

**30.712**

**RSP 80 track profile for mounting to wall (timber applications)**  
 in fixed length (should not go below min. door width 800 mm / track profile (1,600 mm)

**30.713**

# Safety-related information

## Important safety-related information for the mounting and use of dormakaba glass fittings.

(Follow these instructions in addition to the mounting and operating instructions in order to avoid damage of product and damage to person or property.)

**Important:** All users have to be informed about relevant points mentioned in these safety-related information and the mounting and operating instructions!

### General information

1. dormakaba recommends using TSG-H (heat soaked toughened safety glass) to DIN EN 12150-1.
2. dormakaba glass fittings are not suitable for application in rooms where chemicals (e. g. chlorine) are used such as indoor swimming pools, saunas or salt-water pools.
3. Never move sliding panels faster than walking speed and always stop the door manually before it reaches end position.
4. Do not shut swing doors with excessive force. Install door stop to prevent door from opening too far.

### Mounting

1. Only properly qualified and specially trained staff is authorised to mount dormakaba glass fittings.
2. Never use glass with conchoidal fractures and/or damaged edges.
3. Due to crushing hazards – among others in the area of the secondary closing edge – and possible injury caused by breakage of glass during mounting, corresponding protective clothing (especially gloves and protective goggles) is required.
4. Clean clamping area with fat solvent (standard commercial cleaning agent) before mounting the glass fitting.
5. Never use clamping shoes on structured glass surfaces (except on satined glass) or glass of heavily varying thickness unless with a corresponding levelling layer.
6. Never use clamping shoes on self-cleaning coatings.
7. When adjusting glass elements, always stick to the required clearance for the respective fitting. Adjust clearance so that the glass does not touch hard components such as glass, metal or concrete.
8. Make sure not to use excessive force when installing the glass (avoid local stress resulting from very tight screws).

### Maintenance

Check fittings at regular intervals for proper positioning and smooth running and door for correct adjustment. Especially highly-frequented door systems require inspection by properly qualified staff (specialised companies or installation firms). Immediately replace damaged glass elements (no glass flaking and/or conchoidal fractures)!

### General care instructions

The surface finishes of the fittings are not maintenance-free and should be cleaned according to their material and design.

- For metallic surfaces (anodised finishes, stainless steel) please use appropriate cleaning agents without abrasive additives only.
- For varnished surfaces please use appropriate solvent-free cleaning agents only.
- Brass surfaces (without surface protection) have to be treated with an appropriate maintenance agent on occasion, to avoid tarnishing.

The printed colours indicating the surface finishes are not 100% true, but do provide a useful guide.

Statements made with regard to the nature or use of the products are for the purposes of descriptions. Assent with regard to the existence of particular properties or particular uses always requires special written agreement. Pictures may show special designs which are different to the standard scope of delivery.

Subject to change without notice.



[www.dormakaba.co.uk](http://www.dormakaba.co.uk)

WN 05443651532, 11/17, GB, JP/XX, 11/17  
Subject to change without notice

**dormakaba UK & Ireland**

E: [info.gb@dormakaba.com](mailto:info.gb@dormakaba.com)

Wilbury Way, Hitchin

Hertfordshire

SG4 0AB

T: +44(0)1462 477600

F: +44(0)1462 477601