

- NOTES:
 1- USE DIMENSIONS FROM DIAGRAM A TABLE TO ADJUST BACK-SET POSITION ACCORDING TO LOW AND HIGH BEVEL DOOR EDGE.
 2- DIMENSIONS ARE SYMMETRICAL ABOUT CL UNLESS OTHERWISE NOTED.
 3- REFER TO SPECIFIC TOLERANCES TABLE FOR DIMENSIONS MARKED WITH #
 4- DEPTH MEASURED FROM THE FRONT OF DOOR, ON THE CENTER LINE CL
 5- THIS HOLE ONLY FOR LOCK MODELS WITH CABLE WIRES THROUGH THE DOOR.

SPECIFIC TOLERANCES	
DISTANCES	$\pm .030$ [$\pm .75$]
HOLES \varnothing	$\varnothing \pm .010$ [$\pm .25$]
DIMS MARKED #	$+ .030 / - .000$ [$+ .75 / -.00$]

REVISIONS					
REV	ECN	DESCRIPTION	FAIT PAR MADE BY	VERIF PAR CHK'D BY	DATE
1	15518	ORIGINAL RELEASE	P.P.	C.D.	30SE 2015
2	16312	ADDED E-PLEX 7900 TO TITLE BLOCK	C.B.	C.D.	20SE 2017

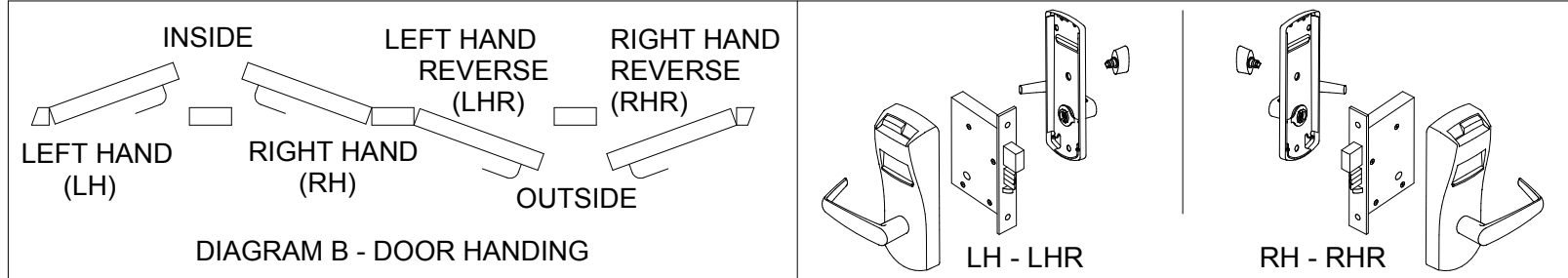
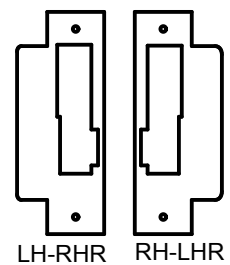
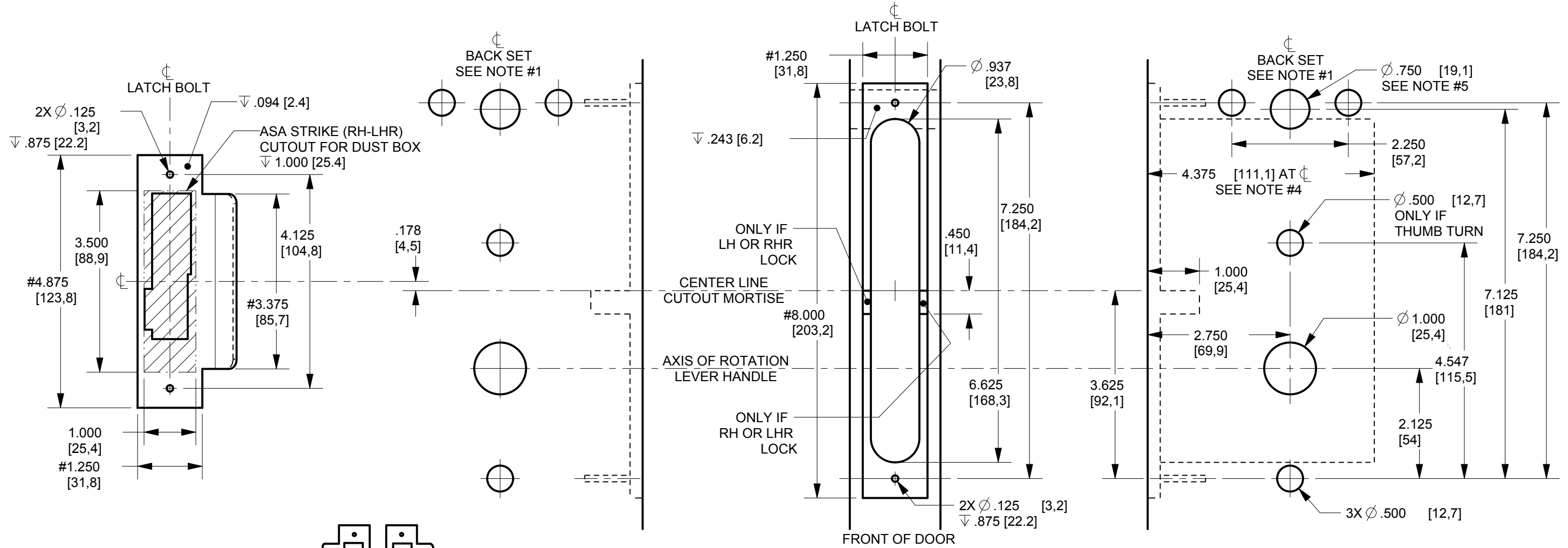


DIAGRAM A - BACK SET AJUSTEMENT FOR 3 BEVEL DOOR

DOOR THICKNESS DIMENSION X	BACK SET AJUSTEMENT DIMENSION Y
1.25 (31,8mm)	.032 (0,81mm)
1.50 (38,1mm)	.039 (1,00mm)
1.75 (44,5mm)	.046 (1,17mm)
2.00 (50,8mm)	.052 (1,32mm)
2.25 (57,2mm)	.059 (1,50mm)
2.50 (63,5mm)	.065 (1,65mm)
2.75 (69,9mm)	.072 (1,83mm)

LOW BEVEL EDGE
HIGH BEVEL EDGE
2.750 STANDARD BACK-SET
REFERENCE
X
Y

- SYMBOLS:
 ∇ DEEP
 COUNTERBORE
 CL CENTER LINE
 \varnothing DIAMETER
 NOT TO SCALE

LE MATERIAU ET LA FINITION DE CETTE PIECE DOIVENT RESPECTER LES DIRECTIVES ENVIRONNEMENTALES; REFERENCE AU STANDARD D'INGENIERIE DE KABA ES-073.
 MATERIAL AND FINISH OF THIS PART TO COMPLY WITH ENVIRONMENTAL DIRECTIVES; REFERENCE TO KABA'S ENGINEERING STANDARD ES-073.

	DIMENSIONS CRITIQUES / CRITICAL DIMENSIONS	SANS AUTRES SPECIFICATIONS, LES DIMENSIONS SONT POUCES (millimètres) ET S'APPLIQUENT APRES FINITION. UNLESS OTHERWISE SPECIFIED, DIMENSIONS ARE INCHES (millimeters) AND APPLY AFTER FINISH.	DESSEIN PAR: F.DUMONT 07N001		7301, Decarie Boul Montreal, QC Canada H4P 2G7 www.kaba-ilco.com
	PROJECTION 3iem ANGLE / THIRD ANGLE PROJECTION	UNLESS OTHERWISE SPECIFIED, DIMENSIONS ARE INCHES (millimeters) AND APPLY AFTER FINISH.	CONCU PAR: C.DOUCET 07N001		
NE PAS MESURER SUR LE DESSIN / DO NOT SCALE DRAWING			VERIFIE PAR: -	660,660i,760,770,790,76,79,E-PLEX 2000, POWER-PLEX 2000 & E-PLEX 7900 LOCK SERIES	
DIMENSIONING AND TOLERANCING AS PER AMERICAN SOCIETY OF MECH ENGINEERS ASME Y14.5-1994			APPROUVE PAR: -	DOOR PREPARATION DRAWING	
CE DOCUMENT EST LA PROPRIETE STRICTE DE KABA. LES DONNEES QUI IL CONTIENT NE PEUVENT ETRE COPIEES OU DIVULGUEES A UNE TIERCE PARTIE SANS LE CONSENTEMENT ECRIT DE KABA. CE DOCUMENT DEVRA ETRE RETOURNE SUR DEMANDE A KABA.			MATERIAU / MATERIAL	MORTISE ASM 1-1/4" FACE PLATE	
THIS DOCUMENT IS PROPERTY OF KABA. THE DATA CONTAINED IS PROPRIETARY AND SHALL NOT BE COPIED OR DISCLOSED TO A THIRD PARTY WITHOUT WRITTEN CONSENT OF KABA. THIS DOCUMENT WILL BE RETURNED TO KABA UPON DEMAND.			NOT APPLICABLE	FORMAT NO PIECE / PART NO: NO DESSIN / DRAWING NO:	
UNE VERSION FRANCAISE DE CE DOCUMENT EST DISPONIBLE SUR DEMANDE.			FINITION / FINISH	B N/A IP-514985	
			TRAITEMENT THERMIQUE / HEAT TREATMENT	ECH SCALE SEE VIEWS PG SHT 1 DE OF 1	
			NOT APPLICABLE		