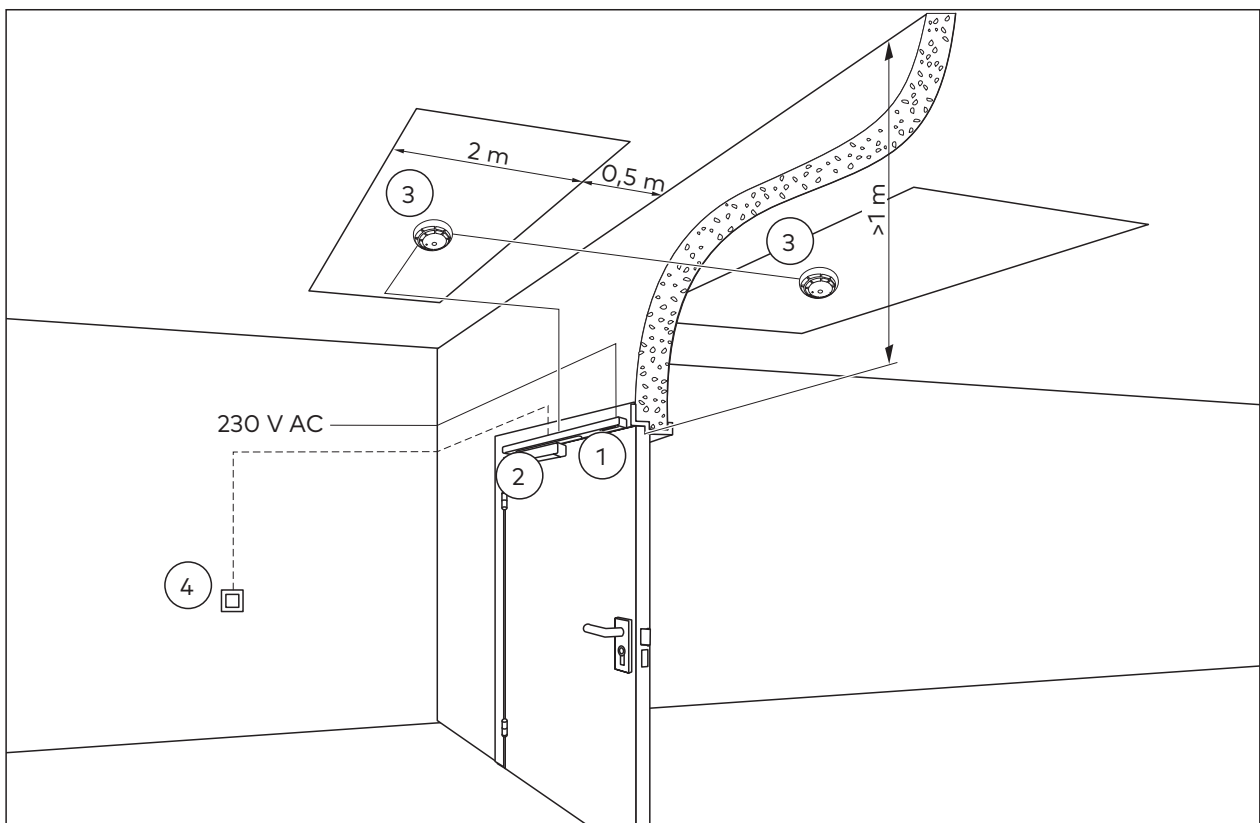
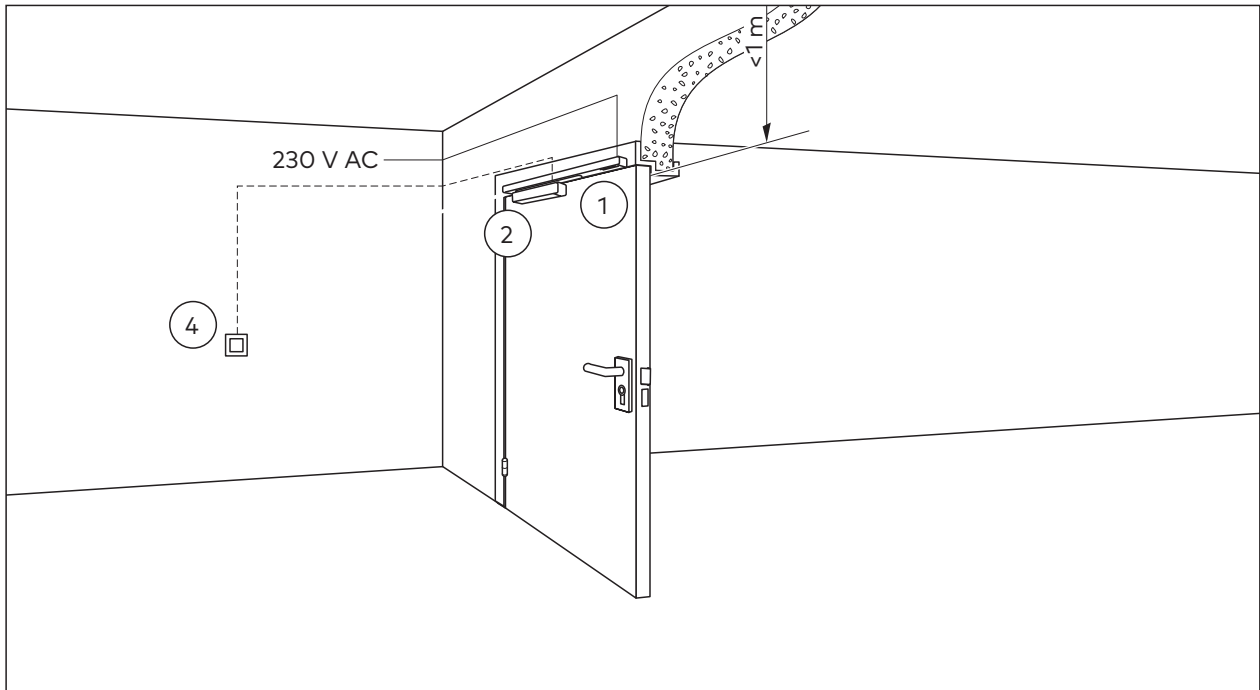
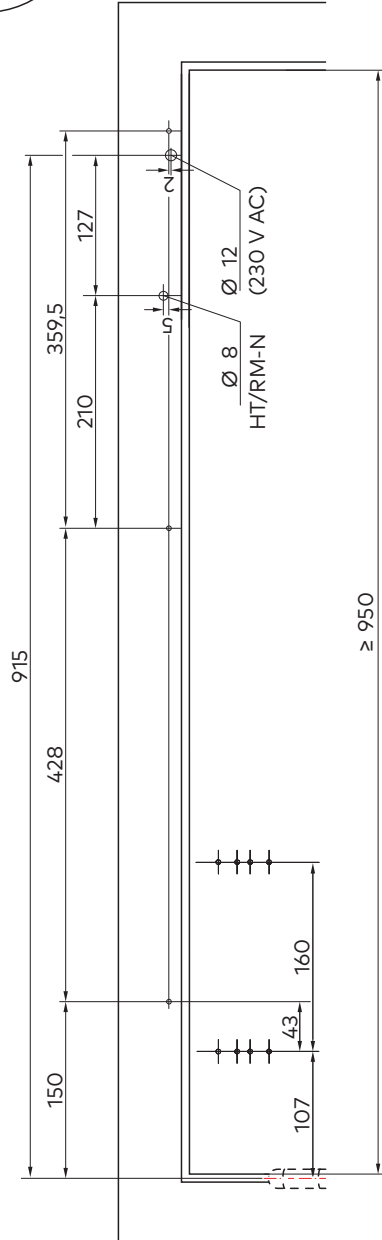
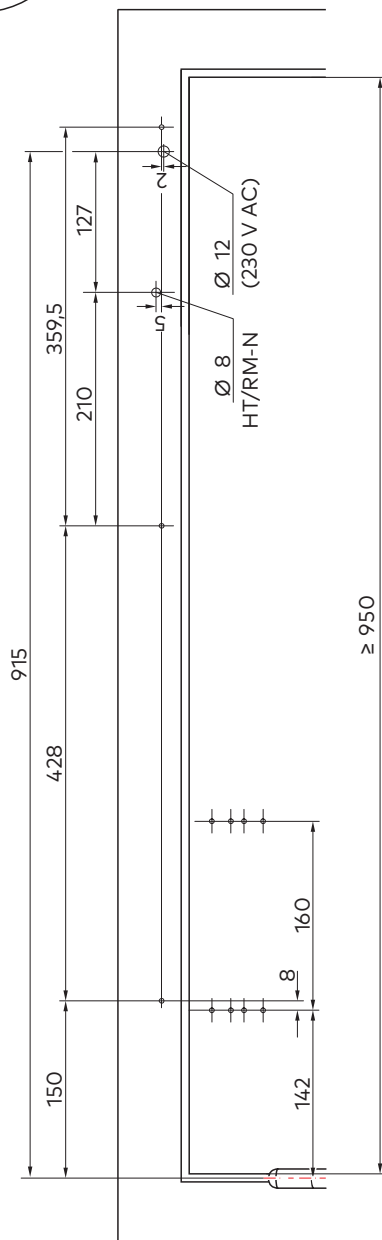
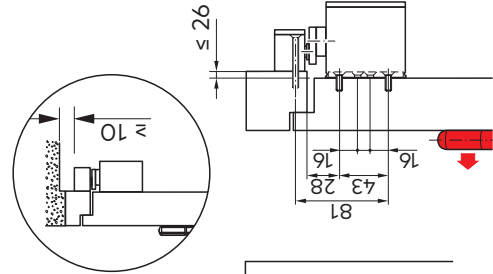
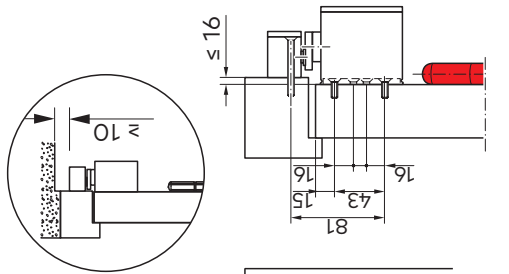
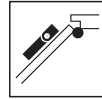


2.4

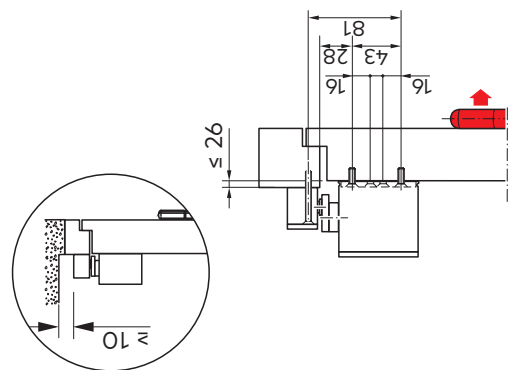
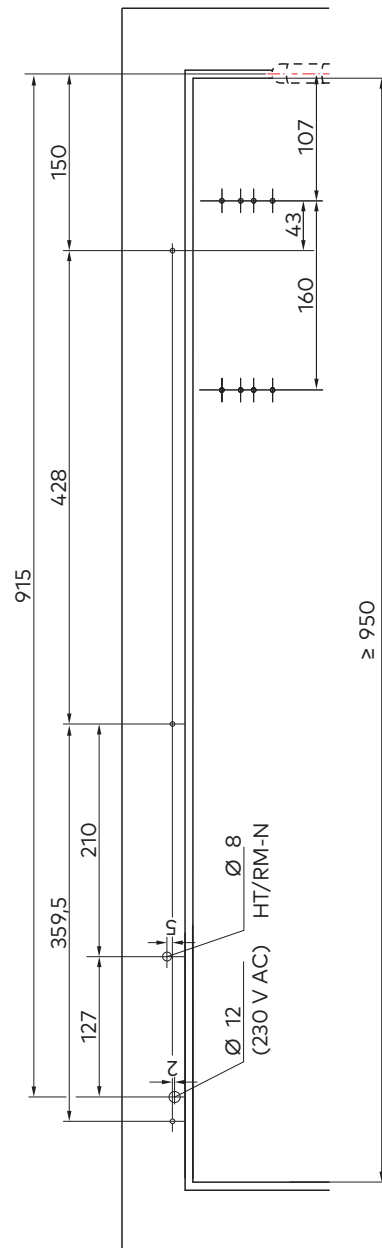
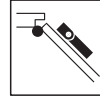
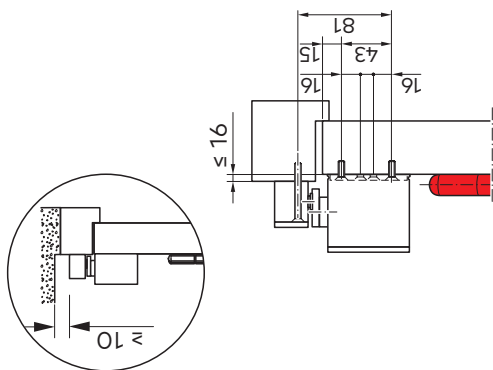
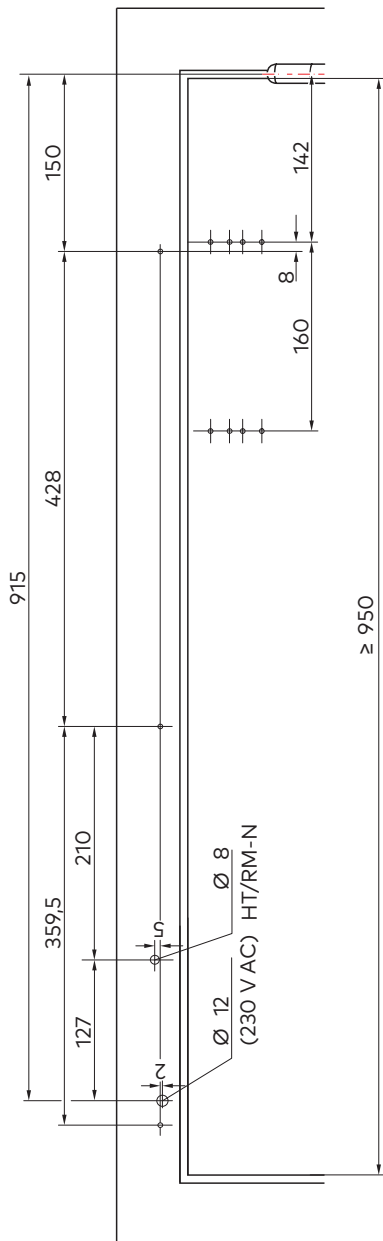


G-EMR XEA

4.1 A

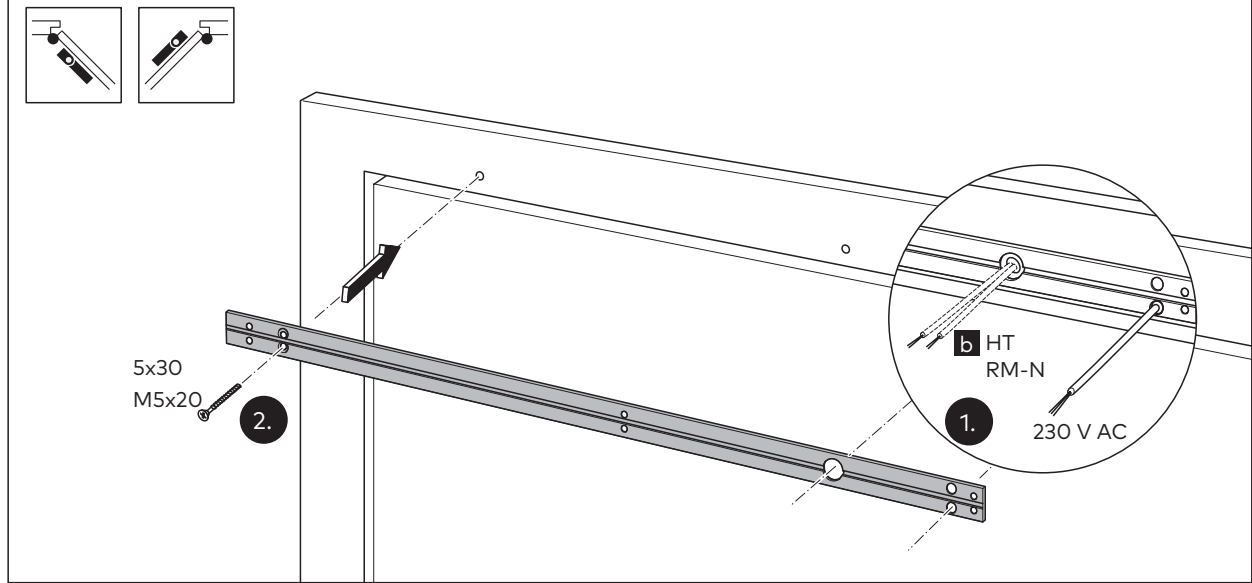


4.1 B

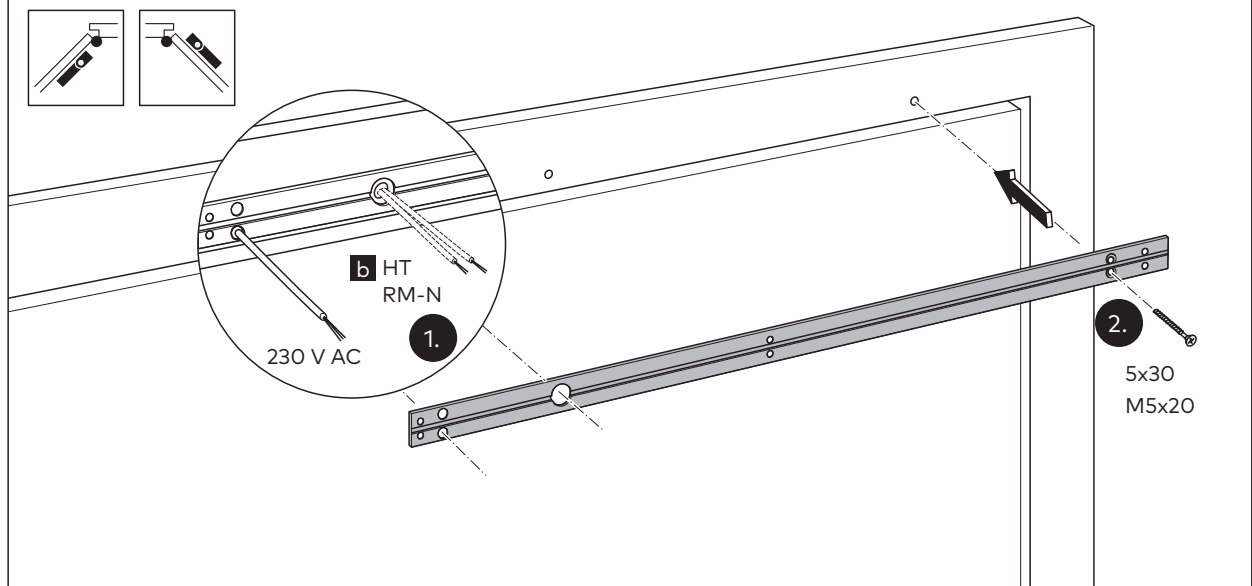


4.2

A

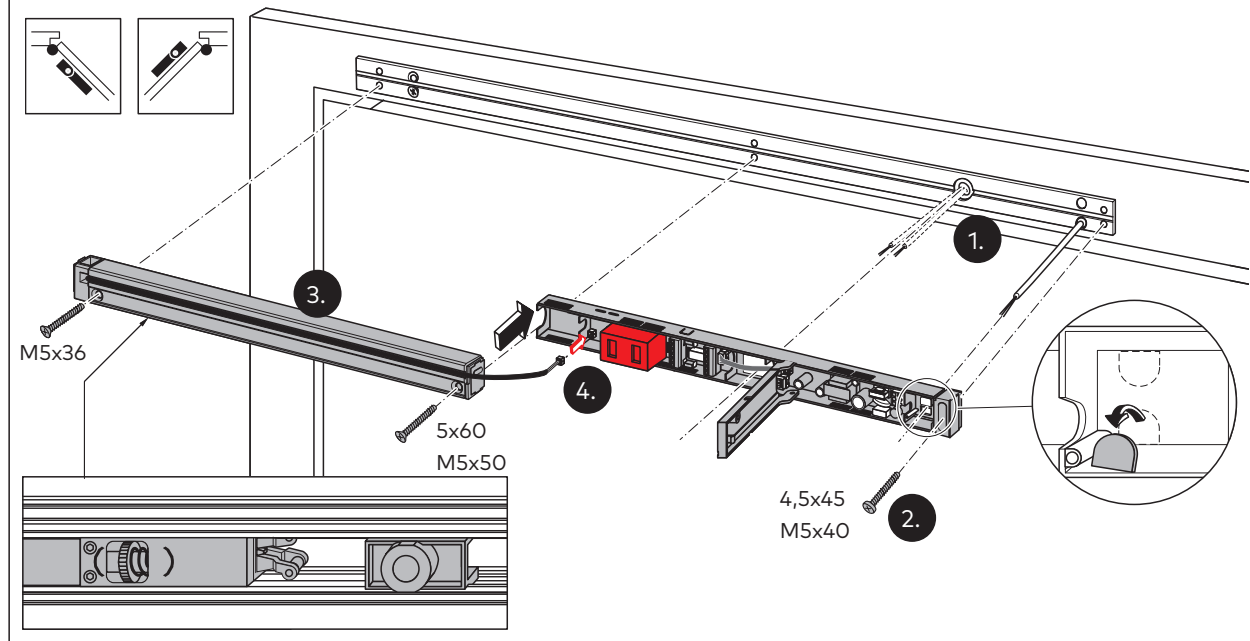


B

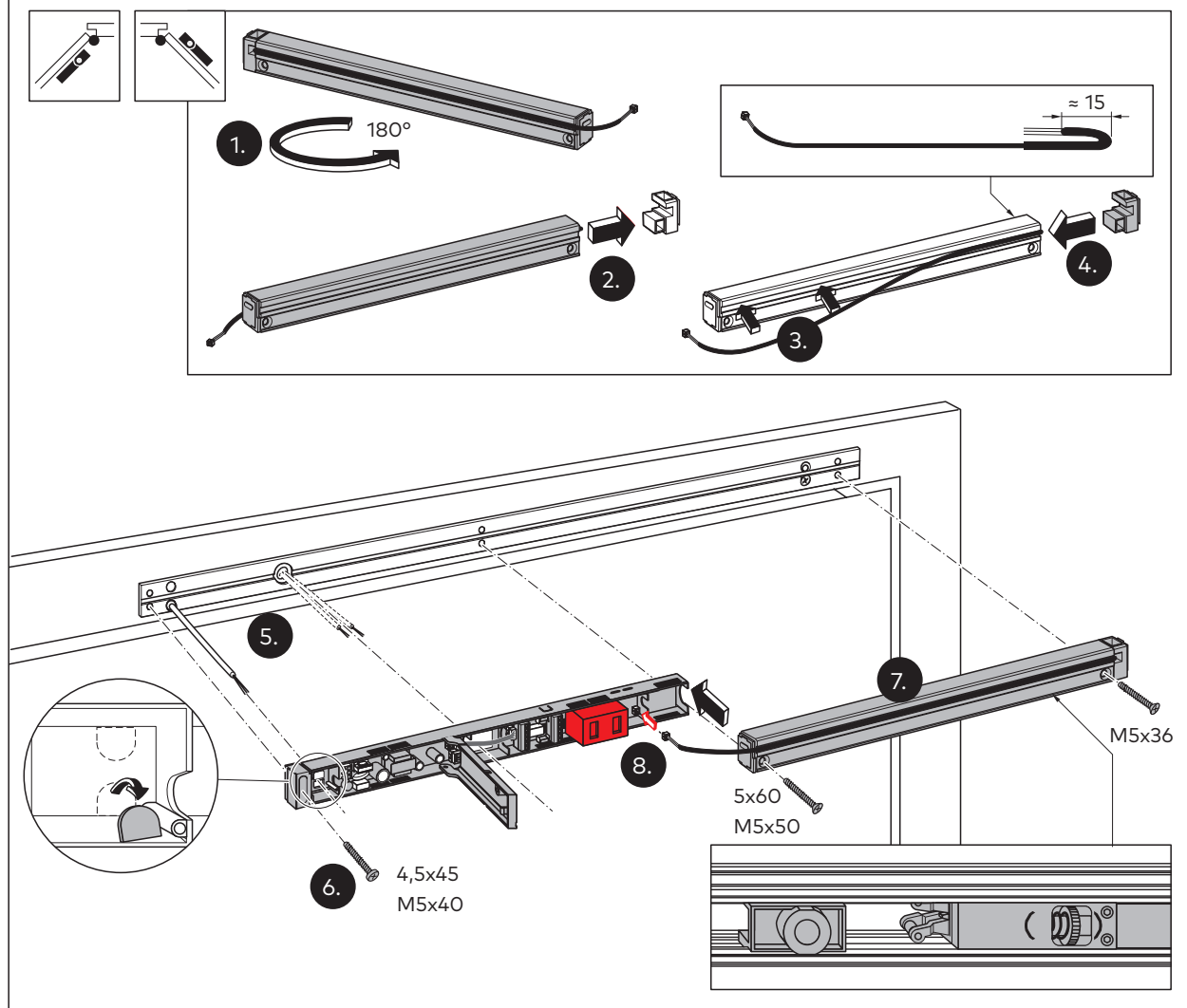


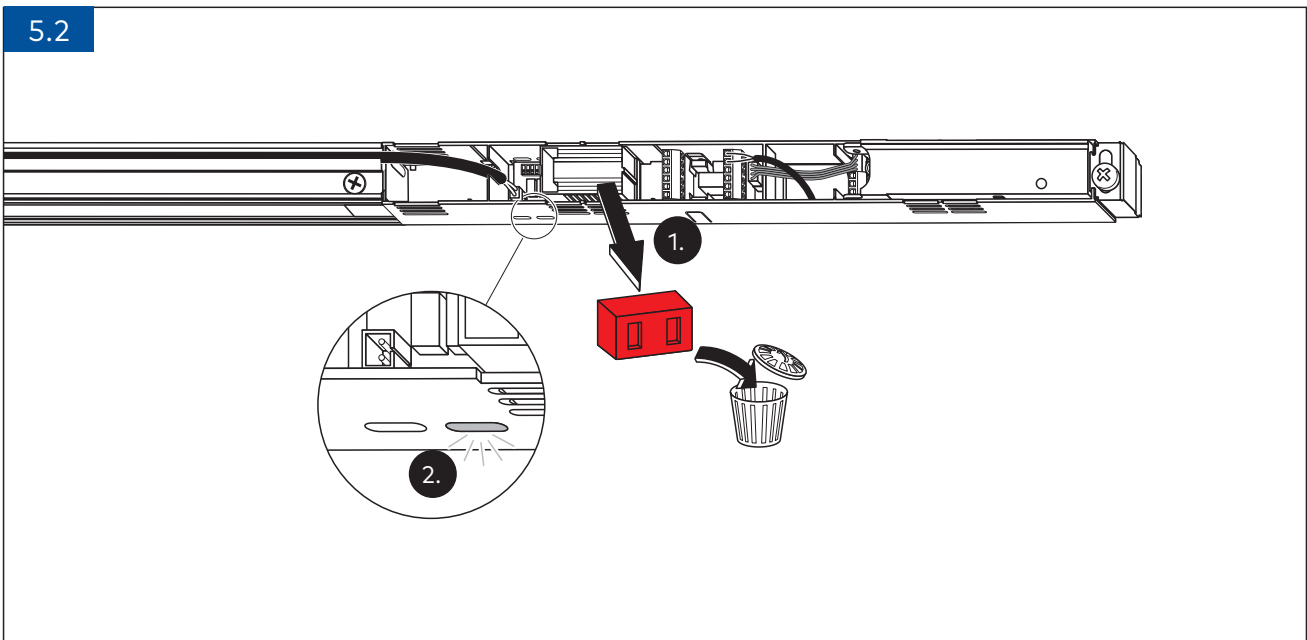
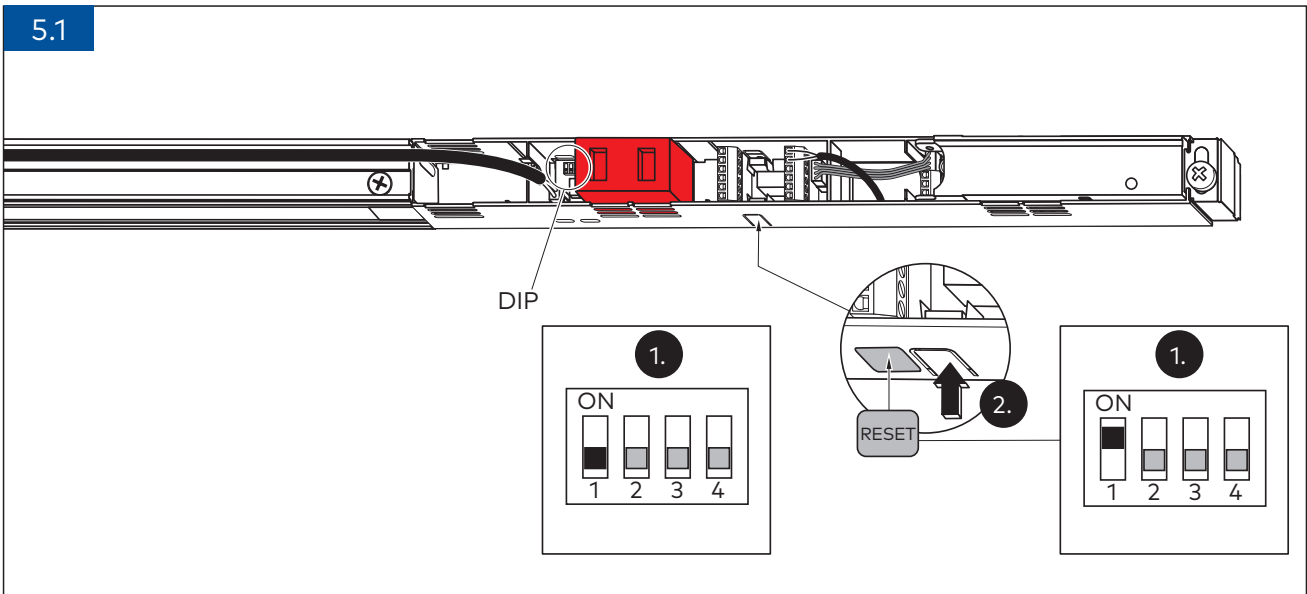
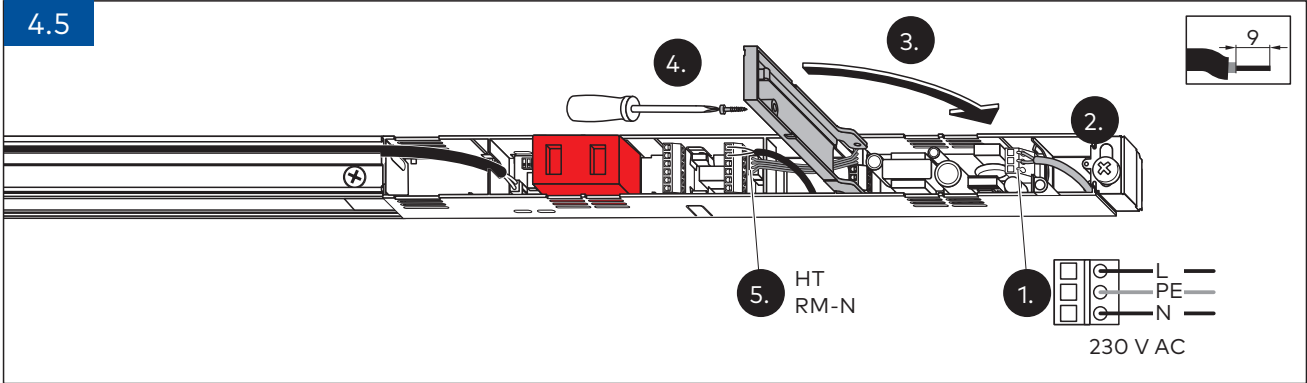
4.3

A

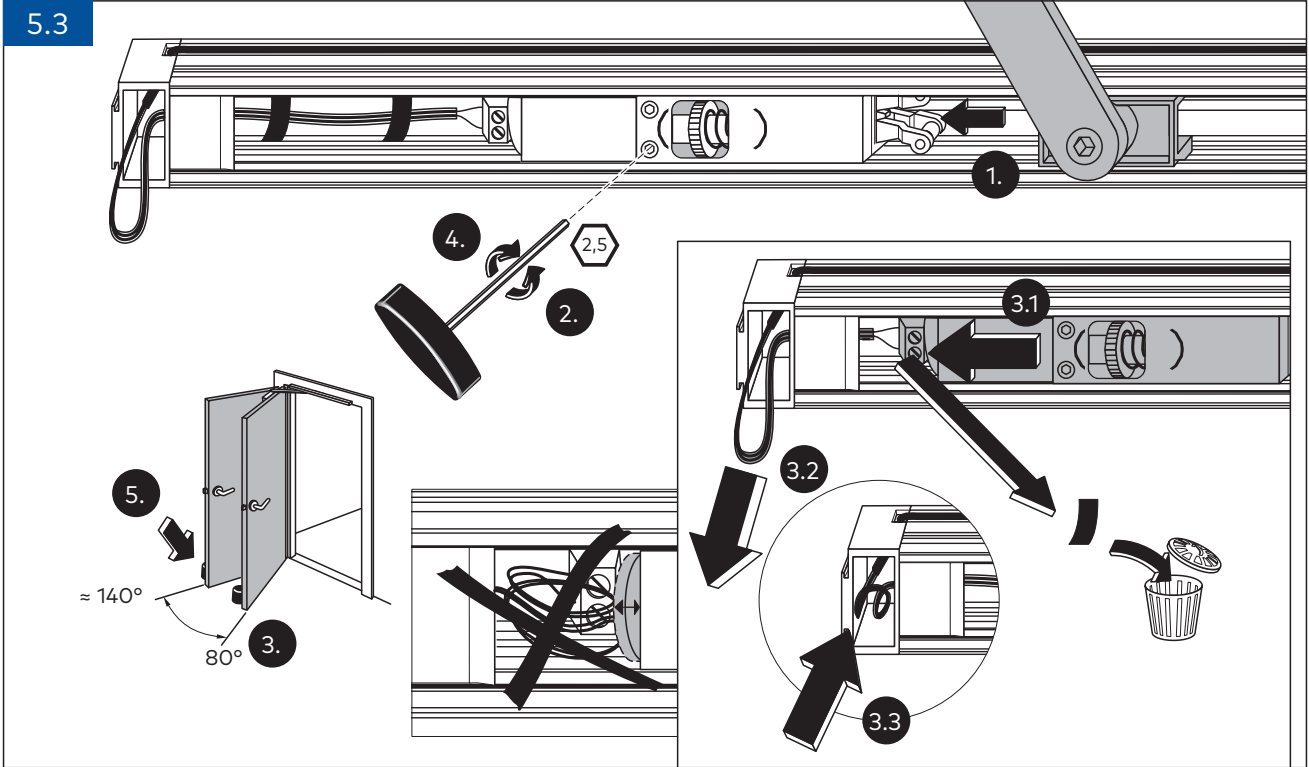


B

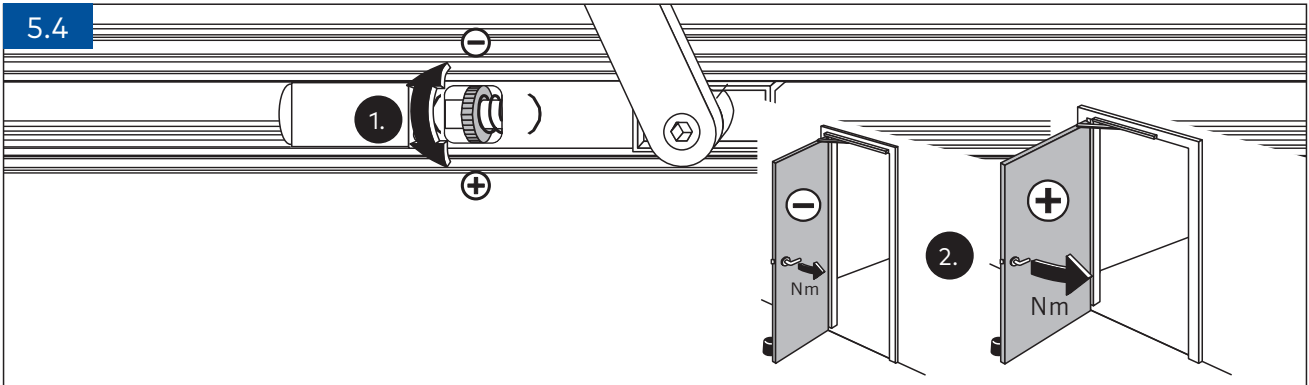




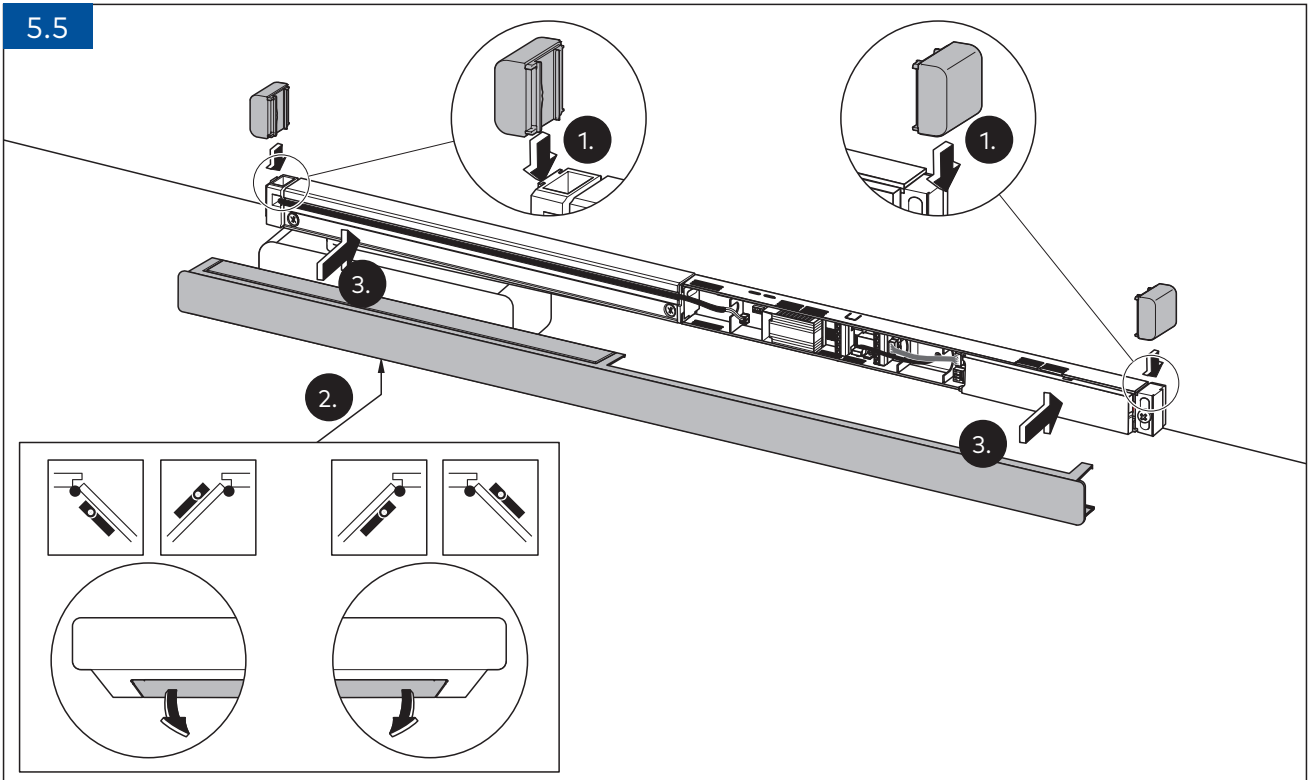
5.3



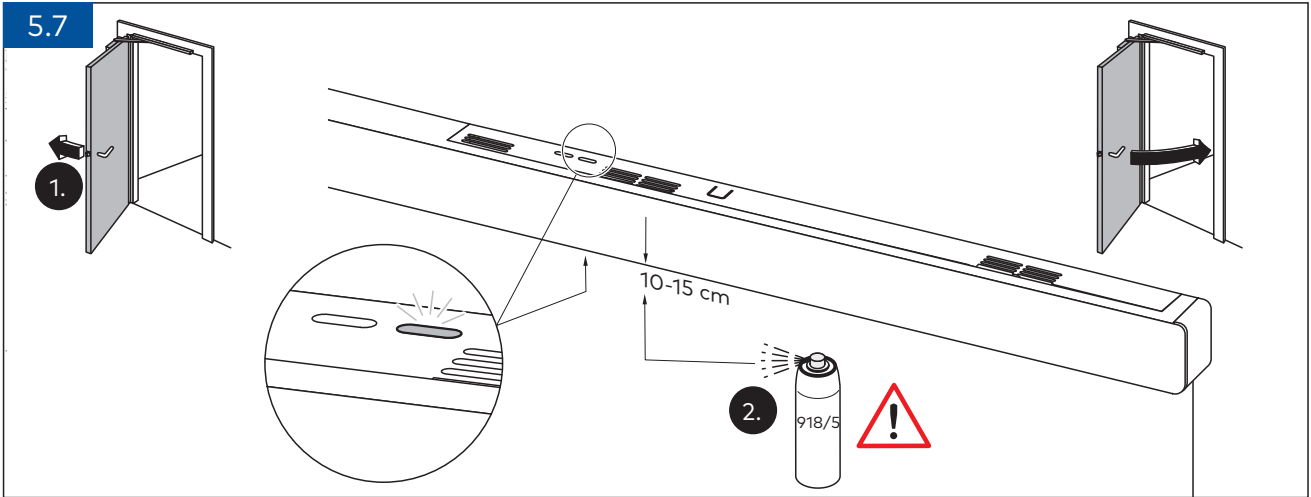
5.4



5.5



5.7



6

