

MUNDUS PT21, PT24, PT25

Top Pivots

Installation instructions

838001 – 10-2017

| EN |

dormakaba 

Table of contents

1	Technical specifications	3
1.1	Overview	3
	1.1.1 General information	3
	1.1.2 Intended use	3
	1.1.3 Glass requirements/fittings/mounting	3
	1.1.4 Requirements for glass panel	3
	1.1.5 Safety instructions	3
	1.1.6 Symbols used - Safety/Installation	3
	1.1.7 Maintenance, care, repair	3
	1.1.8 Disposal	3
1.2	Door dimensions	4
2	PT21 Installation instructions	5
2.1	Dimensions	5
2.2	Secure PT21 pivot	5
2.3	Adjust PT21	6
3	PT24 Installation instructions	7
3.1	Dimensions	7
3.2	Secure PT24 pivot	7
4	PT25 Installation instructions	8
4.1	Dimensions	8
4.2	Secure PT25 pivot	8

1 Technical specifications

1.1 Overview

These instructions are for installation of the PT21M, PT24M and PT25M Top Pivots for the following mounting and style versions:

1. Glass mounting

1.1.1 General information

- dormakaba requires use of tempered laminated or tempered monolithic glass.
- dormakaba glass hardware is not suitable for harsh environment; for example, applications where chemicals (e.g. chlorine) are used such as indoor swimming pools, saunas, or salt-water pools.
- Do not swing doors with excessive force. Install limiting stop to prevent door from opening too far.

1.1.2 Intended use

- For pivoting doors in indoor or covered areas only.
- For use with MUNDUS Patch Fittings only.
- For manual slowly opening and closing only.

1.1.3 Glass requirements/fittings/mounting

- The substructure/wall must be able to bear permanent loads, be level (max. tolerance: 1/16" [2] per 39" [1m]).
- Fasteners must be sufficiently dimensioned for the substructure/wall and weight of the door.
- When adjusting glass elements, always stick to the required clearance for the respective hardware. Adjust clearance so glass does not come in contact with any hard surfaces such as glass, metal or concrete.
- Do not use excessive force when installing the glass (avoid over tightening screws.)

1.1.4 Requirements for glass panel

- Heat-soaked thermally tempered safety glass
- Clamping area must be flat and uncoated (no self-cleaning coating!)
- Never use glass with conchoidal fractures and/or damaged edges.

1.1.5 Safety instructions

- Installation requires two people.
- Always wear protective clothing.
- Only properly qualified and specially trained staff are authorized to mount dormakaba glass hardware.

- Due to crushing hazards and possible injury caused by breakage of glass during mounting, corresponding protective clothing (especially gloves and protective goggles) is required.
- Never clamp metal fitting hardware directly to glass surface.
- Never use clamping products on surfaces with self-cleaning coatings.

1.1.6 Symbols used - Safety/Installation



CAUTION

Mounting components must meet the requirements of substructure/wall and door weight. Please read the technical information for fittings.



WARNING

Risk of breaking glass. When installing the door, support the door panel with a block of wood or similar object.



TIPS AND RECOMMENDATIONS

Information note



CLOSING EDGE OF DOOR

1.1.7 Maintenance, care, repair

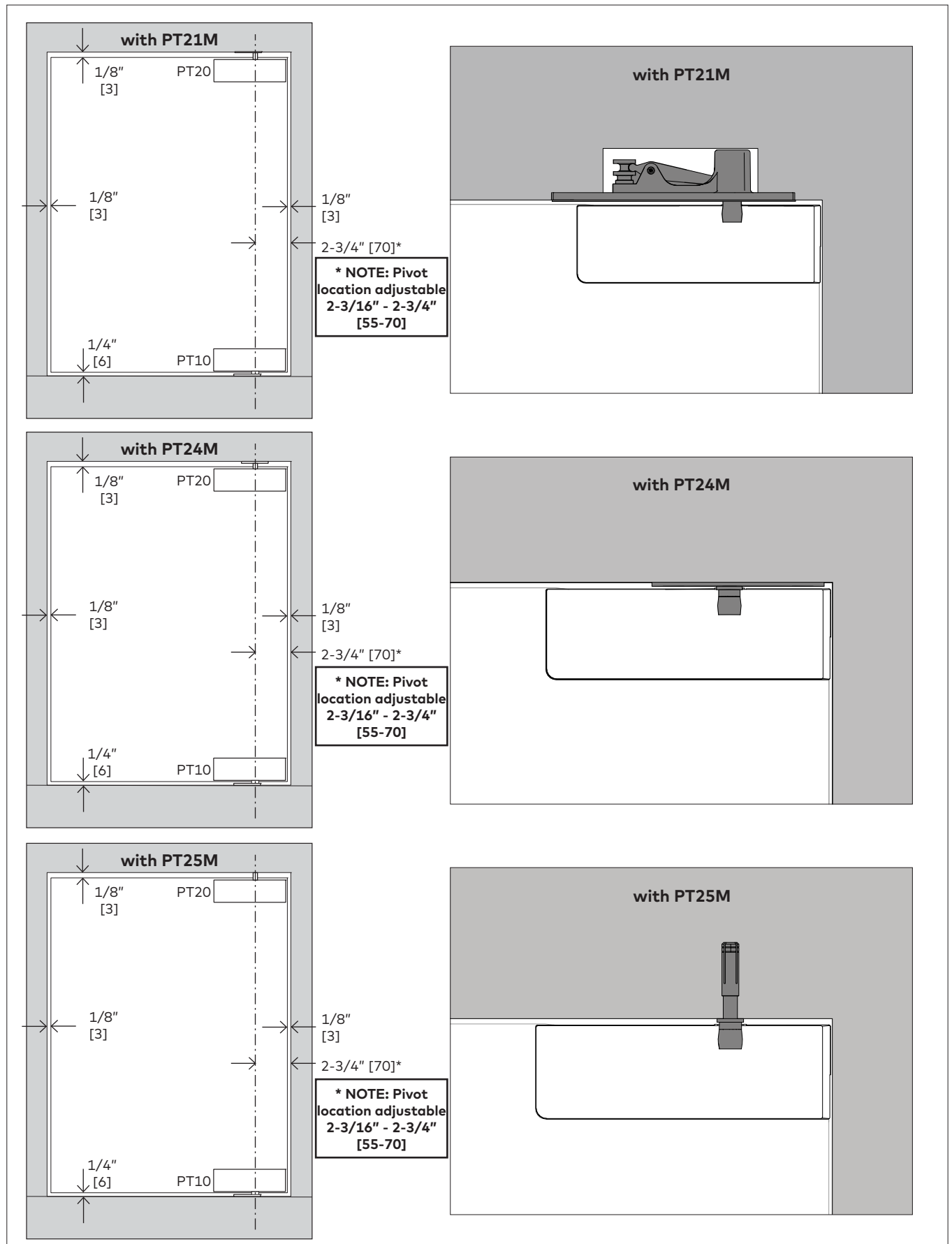
- Immediately replace damaged parts.
- Always use original dormakaba parts.
- Clean clamping area with alcohol-based standard commercial cleaning agent before mounting the glass hardware.
- Use a damp cloth for occasional cleaning.
- Always use silicone - and oil-free cleaners (e.g. acetone).
- Check glass hardware at regular intervals for proper positioning, smooth operation and correct adjustment.
- High traffic door systems require inspection by properly qualified staff (specialized companies or installation firms.)
- Function of fittings is recommended to be inspected every 500,000 movements by a specialist.

1.1.8 Disposal

Disposal in accordance with local, state and national regulations.

1.2 Door dimensions

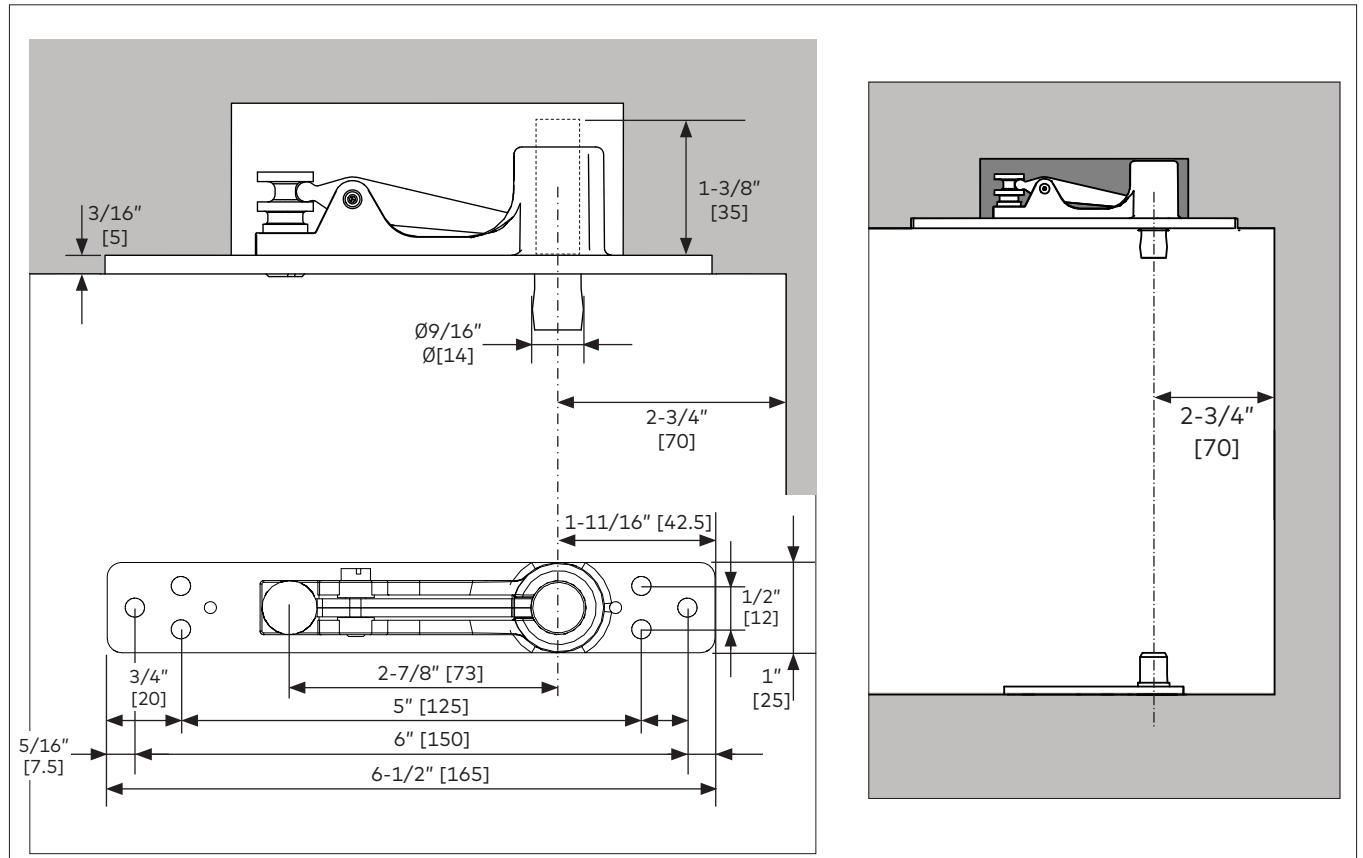
Fig. 1



2 PT21M Installation instructions

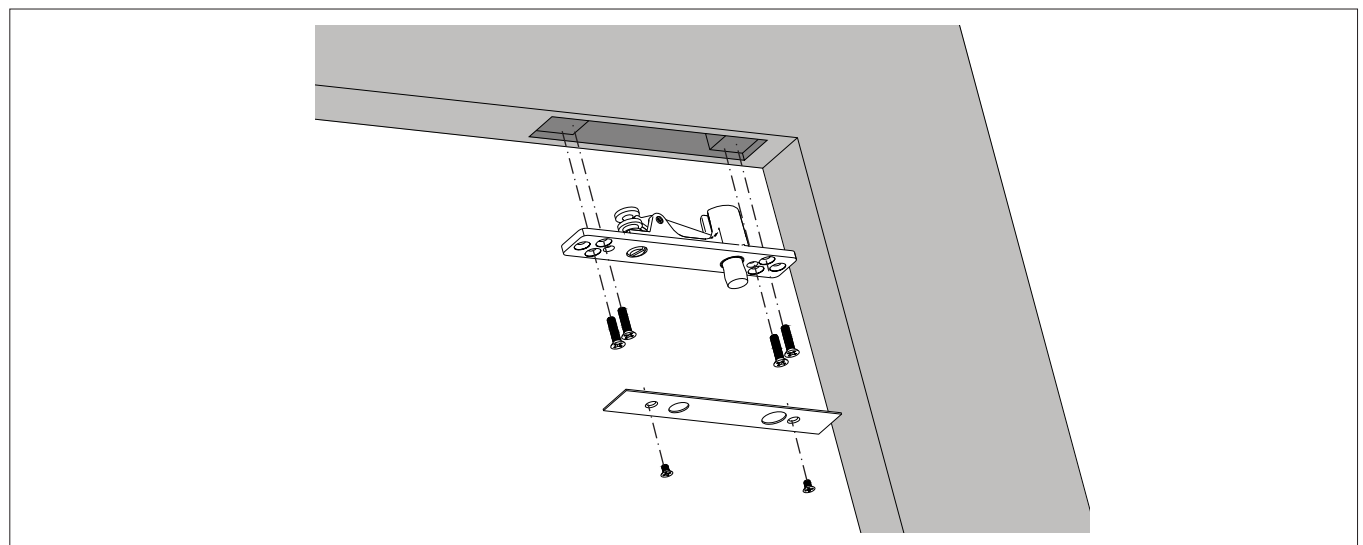
2.1 Dimensions

Fig. 1



2.2 Secure PT21 pivot

Fig. 2



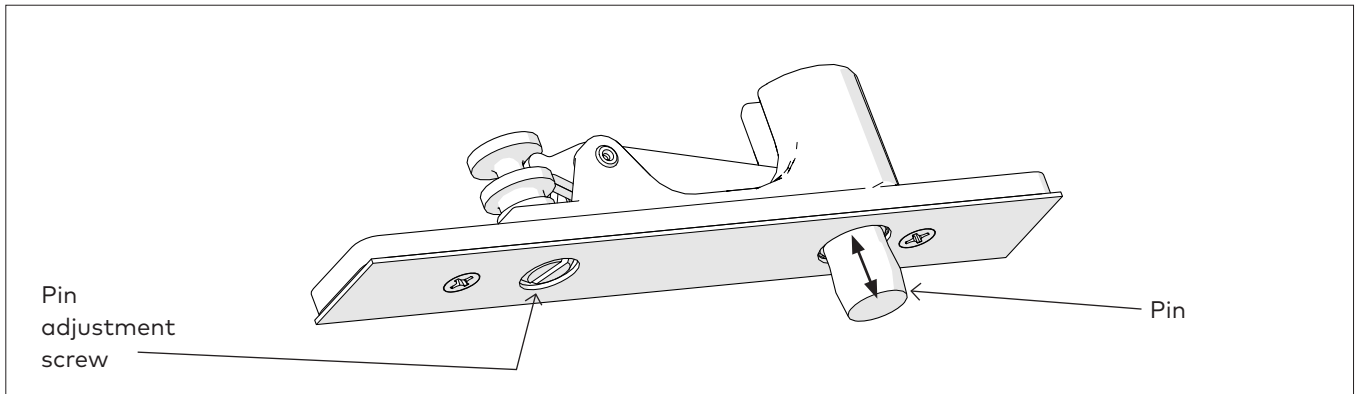
2.2.1 Secure pivot to header.

- Drill and tap for a 10-32 machine screw.

- Wood applications: use included anchors and fasteners.

2.3 Adjust PT21

Fig. 3

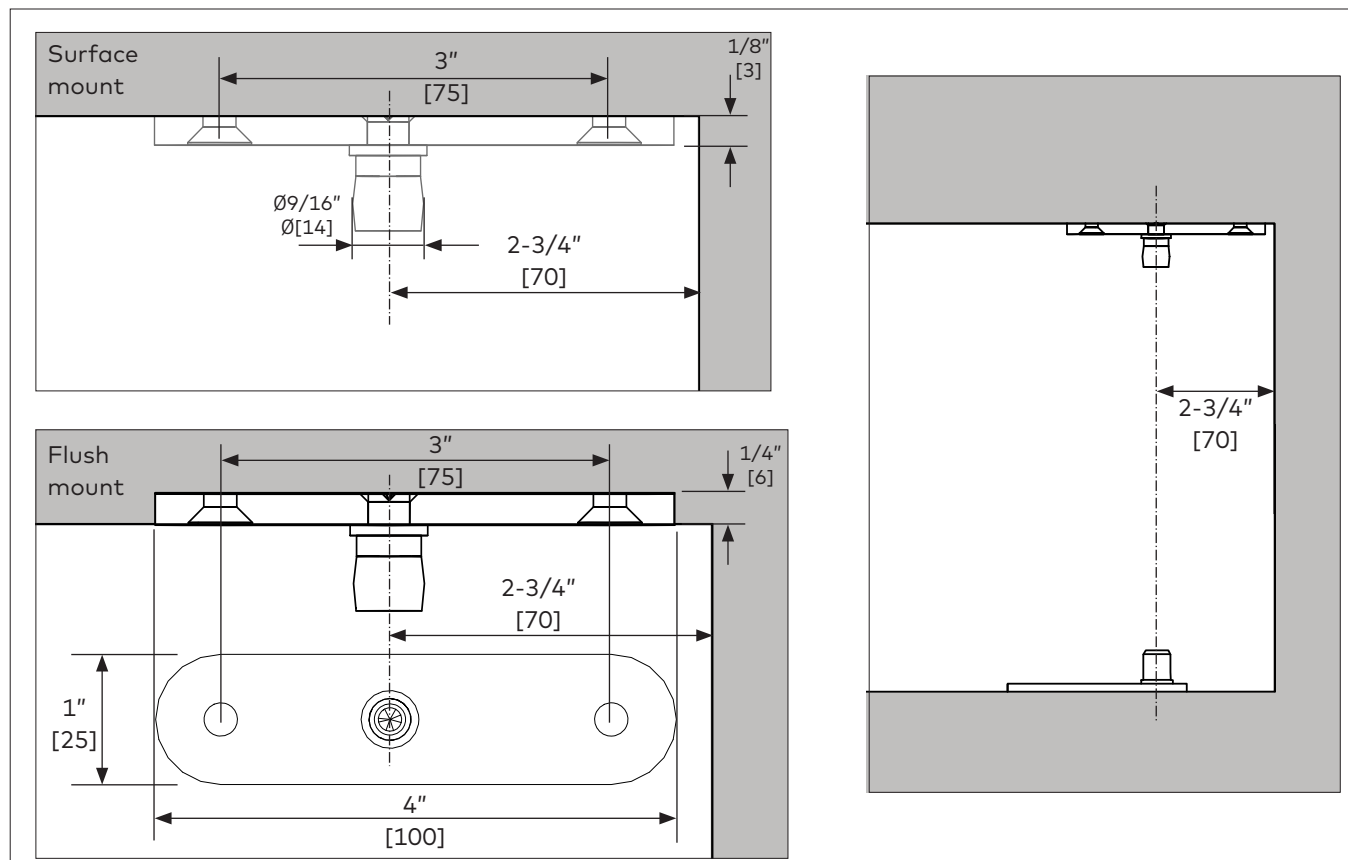


- 2.3.1 Rotate pin adjustment screw or raise or lower pin.

3 PT24M Installation instructions

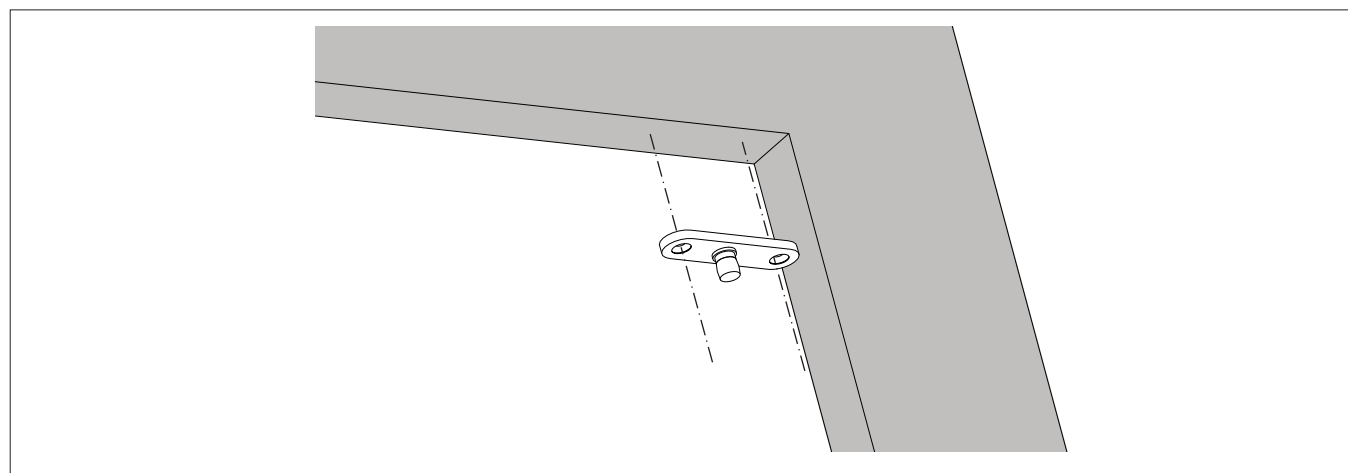
3.1 Dimensions

Fig. 5



3.2 Secure PT24 pivot

Fig. 6



3.2.1 Secure pivot to header.

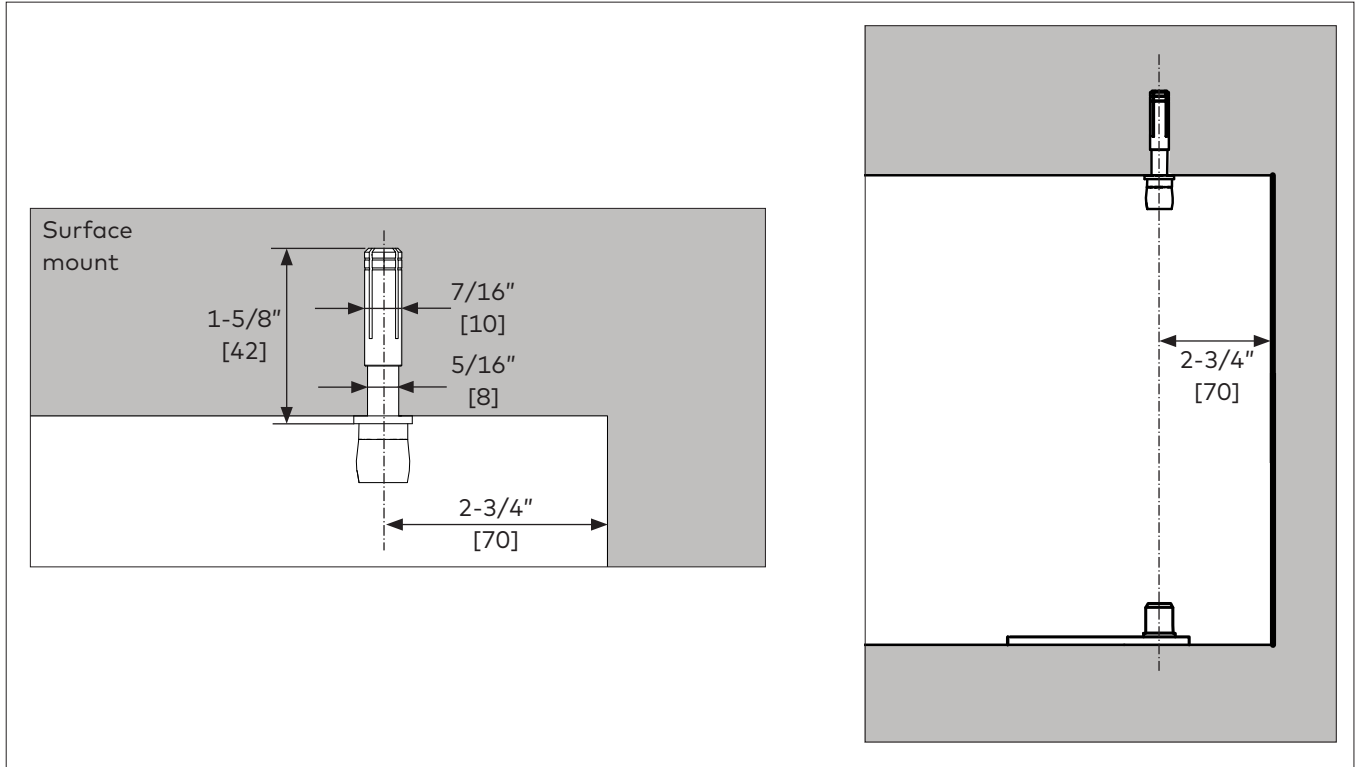
- Drill and tap for a 1/4-20 machine screw.

- Wood applications: use included anchors and fasteners.

4 PT25M Installation instructions

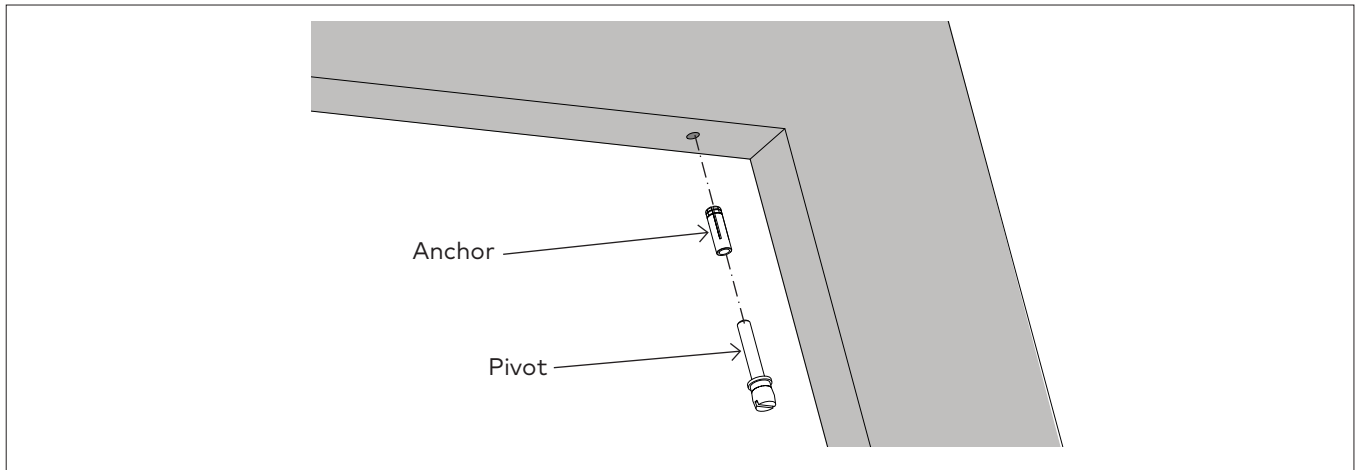
4.1 Dimensions

Fig. 8



4.2 Secure PT25 pivot

Fig. 9



4.2.1 Drill for a 7/16" [10] hole.

4.2.2 Secure pivot anchor into header.

4.2.3 Thread pivot into anchor.

- Tighten pivot to 2 ft lbs [9Nm].

