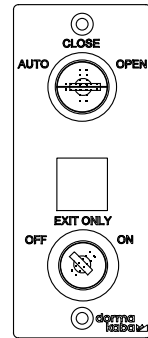
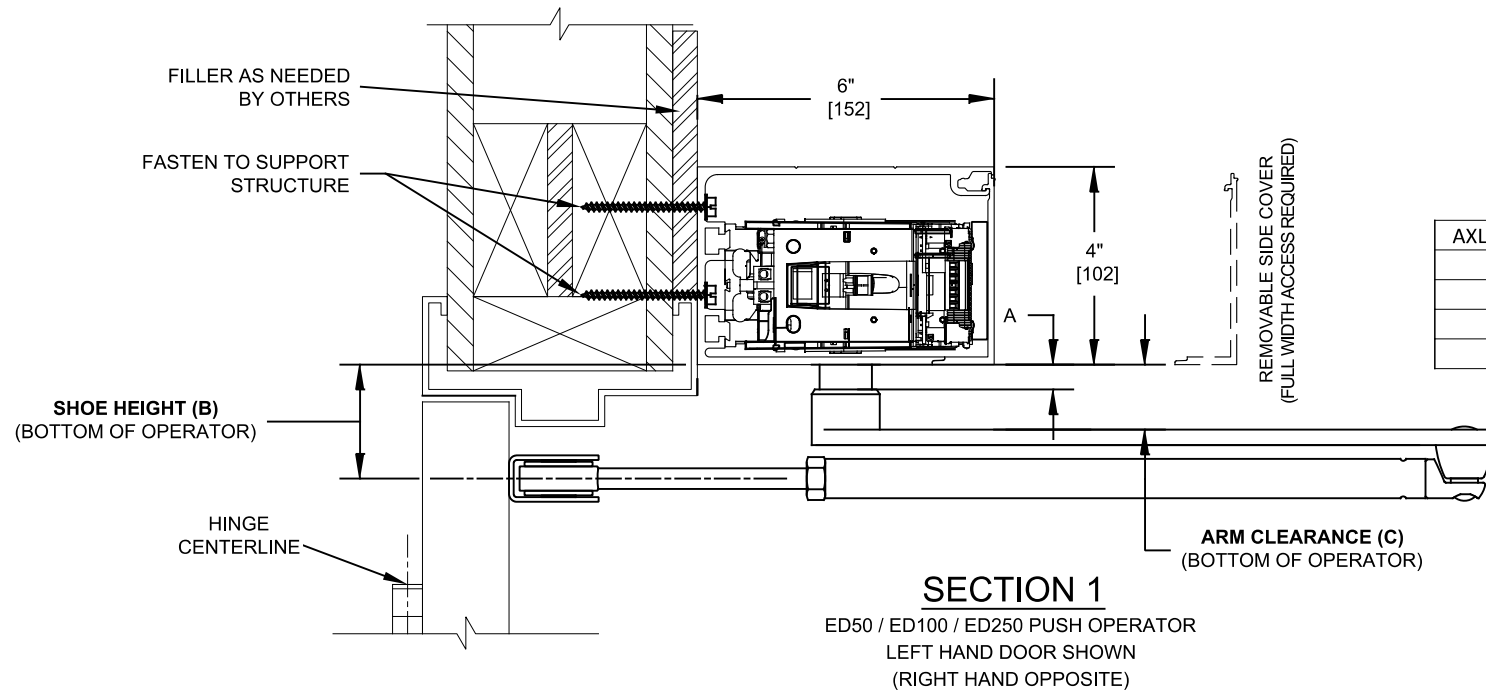


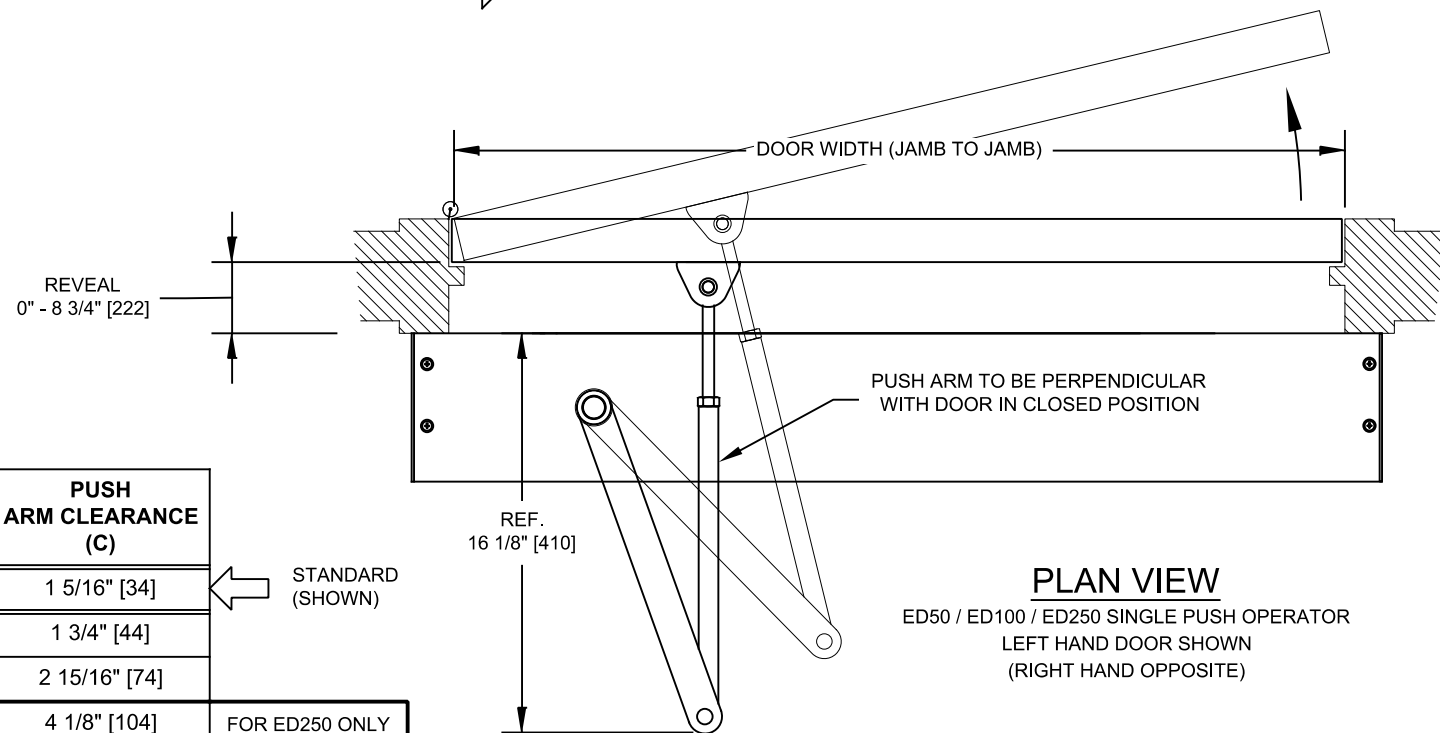
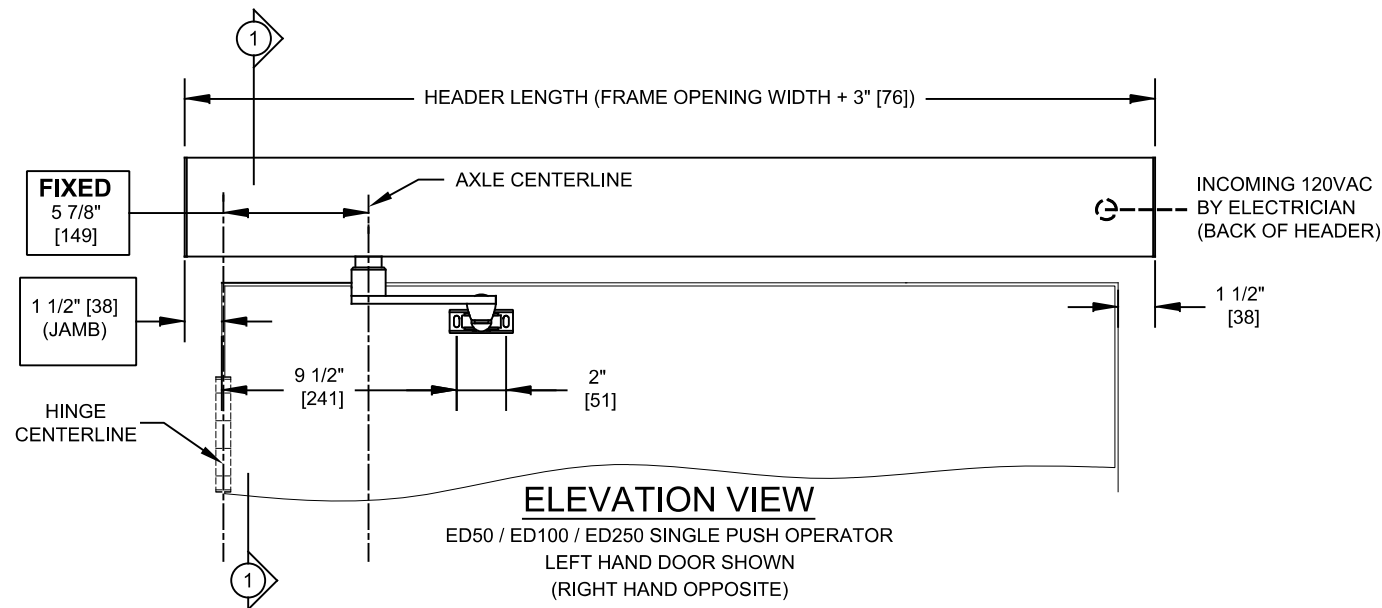
ROCKER SWITCH
DX4604-01C



KEY SWITCH
DX4604-21C



AXLE EXTENSION	A
20MM	0" [0]
30MM	7/16" [11]
60MM	1 9/16" [40]
90MM	2 3/4" [70]



PUSH AXLE EXTENSION (A)	PUSH SHOE HEIGHT (B)	PUSH ARM CLEARANCE (C)
13/16" [20]	2 5/16" [59]	1 5/16" [34]
1 3/16" [30]	2 11/16" [69]	1 3/4" [44]
2 3/8" [60]	3 7/8" [99]	2 15/16" [74]
3 9/16" [90]	5 1/16" [129]	4 1/8" [104]

STANDARD (SHOWN)

FOR ED250 ONLY

- The ED50, ED100 & ED 250 Single Push package consists of:
 - Operator:
 - ED50 Low Energy door leaf:
 - Up to 48" [1219] wide, 220 lbs [100]
 - ED100 Low Energy door leaf:
 - Up to 48" [1219] wide, 250 lbs [113].
 - ED100 Full Power door leaf:
 - Up to 48" [1219] wide, 220 lbs [100].
 - ED250 Low Energy door leaf:
 - Up to 48" [1219] wide, 700 lbs [317]. (interior applications only)
 - Up to 48" [1219] wide, 600 lbs [272]. (exterior applications - prevailing conditions at opening must be considered)
 - ED250 Full Power door leaf:
 - Up to 48" [1219], 320 lbs [145]. (exterior applications - prevailing conditions at opening must be considered)
 - Arm Kit:
 - Push arm reveal = 0" to 8-3/4" [222] Max.
 - Deep push arm reveal = 8" to 19 1/2" [495] Max
 - Standard 20MM [1 3/16"] axle extension kit.
 - Connection Kit:
 - #12 x 2-1/2" Phillips Flat Head Wood Screws.
 - #12 x 1-1/2" Phillips Flat Head Self Drilling Screws.
 - #8 x 1-3/4" Pan head wood screws to mount track.
 - M5 x 0.8 x 30mm Pan head machine screws to mount track. (Maximum 52" [1320 wide, 550 lbs [250])
- Finishes:
 - Extruded Cover:
 - Clear or Dark Bronze anodized finish (Standard).
 - Custom painted.
 - Custom anodized.
 - Cladding.
 - Arms:
 - Silver or black painted.
 - Endcaps:
 - Black anodized.
- Typical Package Options:
 - dormakaba Upgrade cards. (See brochure for details).
 - Fire Protection upgrade card.
 - Barrier-Free Toilet upgrade card.
 - Axle extensions (See chart for available lengths).
 - Alternate deep pull arm with reveal = 0" to 2 1/4" [57] Max.
 - Handed or un-prepped header options available (RH, LH or blank for single headers)
- Drawing Notes:
 - Drawing dimensions are in English & Metric units. Metric units are displayed as: 1" [25] millimeters.
 - Operator dimensions:
 - Each door operator is manufactured to your custom width requirements (Minimum header width 30" [762]).
 - Operator weight: 30 lbs [13kg].
 - Maximum opening angle of 110°.
 - Auxiliary/External stop recommended.
 - See installation manual for further details.
- Power Requirements:
 - 115V +/-15%, 50/60 Hz, 6.6A peak (per operator). Service to header by electrician.
- Standards of Compliance:
 - UL 325 & CSA 22.2 (listed with UL).
 - Designed to comply with these standards depending on installation and application:
 - International Building Code (Section 1008).
 - ANSI/ BHMA 156.10 (Current Version) (Requires monitored safety sensors) (May also require guide rails depending on configuration).
 - ANSI/ BHMA 156.19 (Current version) (Requires additional knowing activation devices not shown in drawing).
 - NFPA 101 Life Safety Code (Section 7.2.1.9).
 - Refer to Local, State, National or AHJ. Building Code for minimum door height and minimum/maximum width allowable for egress requirements.
 - Tested to UL 10C positive pressure fire test for door assembly.
- Contact dormakaba Architectural Services for more information:
 - Phone: 1-844-SPEC-NOW (1-844-773-2669)

ED50 / ED100 / ED250 SINGLE PUSH HINGED

Sheet 1 of 1

dormakaba

1 Dorma Drive, Reamstown PA 17567 Phone: 717-336-3881

Drawing Title: **ED50, ED100 & ED250 AUTOMATIC SWING DOOR**

SINGLE PUSH SURFACE APPLIED HINGED

© dormakaba Inc. Subject to Change Without Notice. Date: 10-MAY-2022