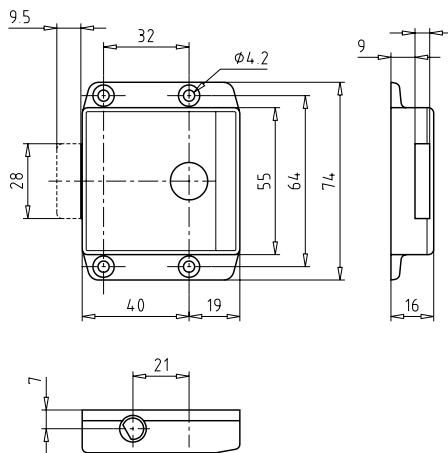


Espagnolette Lock MES.7781 (ASS)



Application:

Espagnolette furniture lock for left or right hinged doors

Specification:

Lock case made from nickel-plated metal, heavy-weight type
Backset 30 or 40 mm
Cylinder nickel-plated brass (type MZ97-4-044, see page K.115)
Cylinder length 26.5 mm
Reversible key made from nickel silver

Included with the lock:

2 reversible keys (See "Special Functions and Keys" for key options)
Plastic key clip in dark red for Kaba penta, in dark blue for all other systems
Lock insert and screw cap for furniture cylinder 24 mm
Rosette for furniture cylinder ϕ 24 mm
2 ea Hex screws M 2.5 x 6 mm
1 ea Angled striking plate
2 ea Drive rods 1000, 1200 or 1500mm long, ϕ 8 mm
2 ea Rod guides type 1312
Security Card for ownership registration and ordering duplicate keys
Installation and Maintenance Instructions

Premier Systems:

| | | |
|------------------------|-------------------------------------|--------------------------------------|
| 6 Kaba penta | 7 Kaba quattro pluS | 12 Kaba gemini pluS |
| Patent expired systems | 4 Kaba quattro S | 2 Kaba gemini S |
| Old systems | 3 Kaba quattro ¹⁾ | 1 Kaba gemini ¹⁾ |
| Dealer systems | 5 Kaba experT ²⁾ | 19 Kaba maTriX ²⁾ |
| Old dealer system | | 9 Kaba gemini T ²⁾ |

Options (See „Special Functions and Keys“ for details)

| | | | | | |
|-----|-------------------|------|--------------------|------|-------------------|
| BAZ | Construction key | BAZ3 | Construction key 3 | | |
| D30 | Backset 30mm | D40 | Backset 40mm | | |
| LI | Hinges left | RE | Hinges right | | |
| S1 | Drive rods 1000mm | S1,2 | Drive rods 1200mm | S1,5 | Drive rods 1500mm |

Standard Surface Finishes (for lock cylinder)

| | | |
|--------------------|--------------------|--|
| NI - Nickel plated | MS - Brass natural | |
|--------------------|--------------------|--|

Optional Surface Finishes

| | | |
|--------------------------------|---------------------|-----------------------|
| BH - brown light | MP - Brass polished | CR - Chrome standard |
| BM - brown medium | MSA - Brass antique | CRM - Chrom dull |
| BD - brown dark | | CRP - Chrome polished |
| NIC - chemically nickel plated | | |
| GO - gold plated | | |

Order Code System

System Code.Lock.Type.Option

Example:

6.MES.7781.NI.D30.RE.S1 = penta.espagnolette lock.7781.nickel plated cylinder.backset 30mm.hinges right.drive rods 1000mm

Please note that certain options, finishes and dimensions may be subject to extended factory lead times. Please contact our office via email on sales.uk@kaba.com or telephone (0) 870 000 5625.

¹⁾ Kaba gemini and Kaba quattro are only offered for existing master key systems.

²⁾ Kaba experT, Kaba maTriX and Kaba gemini T are only sold to authorized dealers.