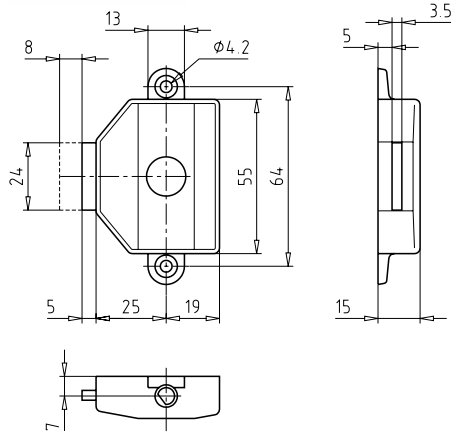


Espagnolette Lock MES.7581 (ASS)



Application:

Espagnolette furniture lock for left or right hinged doors

Specification:

Lock case made from nickel-plated metal, light-weight type
Backset 16, 20, 25 or 30mm
Cylinder nickel-plated brass (type MZ97-4-044, see page K.115)
Cylinder length 26.5 mm
Reversible key made from nickel silver

Included with the lock:

2 reversible keys (See "Special Functions and Keys" for key options)
Plastic key clip in dark red for Kaba penta, in dark blue for all other systems
Lock insert and screw cap for furniture cylinder 24 mm
Rosette for furniture cylinder \varnothing 24 mm
2 ea. hex screws M 2.5 x 6 mm
1 ea. Angled striking plate
2 ea. Drive rods, each 1000 mm, 1200 or 1500mm long, \varnothing 6 mm
2 ea. Rod guides type 1311
Security Card for ownership registration and ordering duplicate keys
Installation and Maintenance Instructions

Premier Systems: **6** Kaba penta **7** Kaba quattro pluS **12** Kaba gemini pluS
Patent expired systems **4** Kaba quattro S **2** Kaba gemini S
Old systems **3** Kaba quattro¹⁾ **1** Kaba gemini¹⁾
Dealer systems **5** Kaba experT²⁾ **19** Kaba maTriX²⁾
Old dealer system **9** Kaba gemini T²⁾

Options (See „Special Functions and Keys“ for details)

BAZ	Construction key	BAZ3	Construction key 3		
D16	Backset 16mm	D20	Backset 20mm	D25	Backset 25mm
D30	Backset 30mm	LI	Hinges left	RE	Hinges right
S1	Drive rods 1000mm	S1,2	Drive rods 1200mm	S1,5	Drive rods 1500mm

Standard Surface Finishes (for lock cylinder)

NI - Nickel plated	MS - Brass natural	
--------------------	--------------------	--

Optional Surface Finishes

BH - brown light	MP - Brass polished	CR - Chrome standard
BM - brown medium	MSA - Brass antique	CRM - Chrom dull
BD - brown dark		CRP- Chrome polished
NIC - chemically nickel plated		
GO - gold plated		

Order Code System

System Code.Lock.Type.Surface finish cylinder.Backset.Hinge side.Drive rod length.Option

Example:

6.MES.7581.NI.D25.LI.S1 = penta.Espagnolette lock.7581.nickel plated cylinder.backset 25mm.hinges left.drive rods 1000mm

Please note that certain options, finishes and dimensions may be subject to extended factory lead times. Please contact our office via email on sales.uk@kaba.com or telephone (0) 870 000 5625.

¹⁾ Kaba gemini and Kaba quattro are only offered for existing master key systems.

²⁾ Kaba experT, Kaba maTriX and Kaba gemini T are only sold to authorized dealers.