

Espagnolette Lock MES.7401 (ASS)



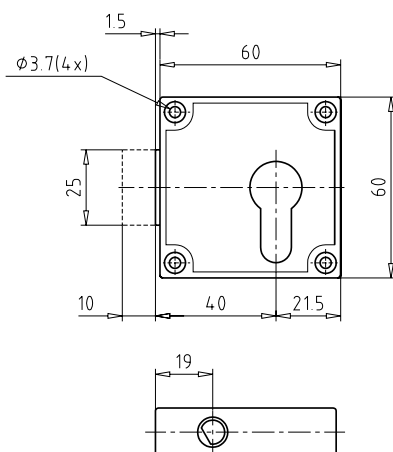
Application:
Espagnolette furniture lock for left or right hinged doors

Specification:

Lock case made from nickel-plated metal
Backset 40 mm
For Europrofile single cylinders. Cylinder must be ordered separately. (see page K.28)
Reversible key made from nickel silver

Included with the lock:

2 reversible keys (See "Special Functions and Keys" for key options)
Plastic key clip in dark red for Kaba penta, in dark blue for all other systems
Rosette for furniture cylinder \varnothing 24 mm
Joint bolts nickel plated on base
2 ea Nickel plated lock hooks, hook bearings nickel plated
2 ea Hex screws M 2.5 x 6 mm
1 ea Angled striking plate
2 ea Drive rods 1000 mm long, \varnothing 8 mm
2 ea Rod guides type 1312
Security Card for ownership registration and ordering duplicate keys
Installation and Maintenance Instructions



Premier Systems:	6 Kaba penta	7 Kaba quattro pluS	12 Kaba gemini pluS
Patent expired systems	4 Kaba quattro S	2 Kaba gemini S	
Old systems	3 Kaba quattro ¹⁾	1 Kaba gemini ¹⁾	
Dealer systems	5 Kaba experT ²⁾	19 Kaba maTriX ²⁾	
Old dealer system		9 Kaba gemini T ²⁾	

Options (See „Special Functions and Keys“ for details)

LI	Left hinged door	RE	Right hinged door	S1	Drive rods 1000mm
----	------------------	----	-------------------	----	-------------------

Standard Surface Finishes (for lock cylinder)

NI - Nickel plated	MS - Brass natural	
--------------------	--------------------	--

Optional Surface Finishes

BH - brown light	MP - Brass polished	CR - Chrome standard
BM - brown medium	MSA - Brass antique	CRM - Chrom dull
BD - brown dark		CRP - Chrome polished
NIC - chemically nickel plated		
GO - gold plated		

Order Code System

System Code.Lock.Type.Hinge side.Surface finish.Rod length

Example:

6.MES.7401.RE.NI.S1 = penta.espagnolette lock.7401.hinges right.nickel plated.drive rods 1000mm

Please note that certain options, finishes and dimensions may be subject to extended factory lead times. Please contact our office via email on sales.uk@kaba.com or telephone (0) 870 000 5625.

¹⁾ Kaba gemini and Kaba quattro are only offered for existing master key systems.

²⁾ Kaba experT, Kaba maTriX and Kaba gemini T are only sold to authorized dealers.