

# Insert Plastic Weather Protection Cap 2004



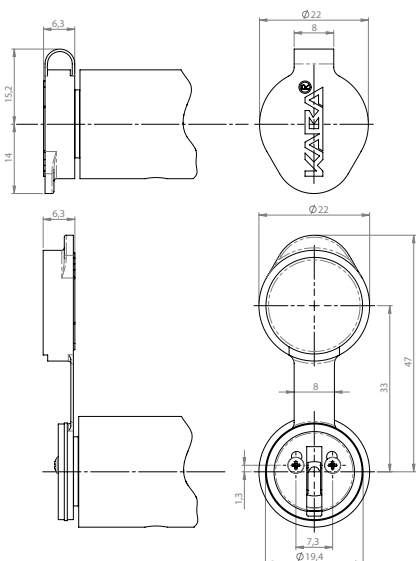
## Application:

For lock cylinders subject to weather. Protects the cylinder insert from the effects of weather and dust and helps to keep the cylinder insert in service longer. Installed in the factory with two screws on the face of the insert. The 2004 cap can be used with all cylinder profiles, camlocks, padlocks, key switch cylinders, etc.

## Specification:

Material: plastic, black

Cap can be opened with the thumbtab and snaps closed.



## Order Code: - .2004

For double cylinders specify .2004 on the cylinder side to be equipped with the cap.

## Examples:

Double cylinder

6.DZ.30.2004+40.NI = penta.double cylinder.30.weather cap+40.nickel plated

Padlock

6.VHS.2001.2004 = penta.padlock.type 2001.weather cap

Camlock

6.BMZ.1031.NI.2004 = penta.camlock.type 1031.nickel plated.weather cap

Please note that certain options, finishes and dimensions may be subject to extended factory lead times. Please contact our office via email on sales.uk@kaba.com or telephone (0) 870 000 5625.

<sup>1)</sup> Kaba gemini and Kaba quattro are only offered for existing master key systems.

<sup>2)</sup> Kaba experT, Kaba maTriX and Kaba gemini T are only sold to authorized dealers.