

# Push Cylinders for furniture and glass doors

## DRZ.75-4-020, GTS.74-4-20



### Application:

Push cylinder for sliding furniture doors, wall panels and glass doors

Opening and closing with the key only

### Specification:

Housing supplied in solid natural brass with nickel plating

Reversible key made from nickel silver

### Included with the cylinder:

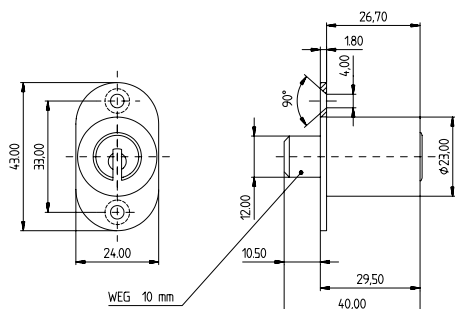
2 reversible keys (See "Special Functions and Keys" for key options)

Plastic key clip in dark red for Kaba penta, in dark blue for all other systems

1 Rosette Type 78-4-026

Security Card for ownership registration and ordering duplicate keys

Installation and Maintenance Instructions



Type DRZ for furniture doors

|                         |                                     |                                      |                            |
|-------------------------|-------------------------------------|--------------------------------------|----------------------------|
| <b>Premier Systems:</b> | <b>6</b> Kaba penta                 | <b>7</b> Kaba quattro plus           | <b>12</b> Kaba gemini plus |
| Patent expired systems  | <b>4</b> Kaba quattro S             | <b>2</b> Kaba gemini S               |                            |
| Old systems             | <b>3</b> Kaba quattro <sup>1)</sup> | <b>1</b> Kaba gemini <sup>1)</sup>   |                            |
| Dealer systems          | <b>5</b> Kaba experT <sup>2)</sup>  | <b>19</b> Kaba maTriX <sup>2)</sup>  |                            |
| Old dealer system       |                                     | <b>9</b> Kaba gemini T <sup>2)</sup> |                            |



Type GTS for glass furniture doors

**Length** Standard - 29.5mm

### Options:

|           |  |      |                    |  |  |
|-----------|--|------|--------------------|--|--|
| BAZ       | Construction key                                       | BAZ3 | Construction key 3 |  |  |
| LI        | Left hinged door                                       | RE   | Right hinged door  |  |  |
| SVOBODA   | Arranged for Svoboda office furniture, cam 2.5mm thick |      |                    |  |  |
| HALI/BENE | Arranged for Hali/Bene office furniture, cam 2mm thick |      |                    |  |  |

### Standard Surface Finishes

|                    |                    |  |
|--------------------|--------------------|--|
| NI - Nickel plated | MS - Brass natural |  |
|--------------------|--------------------|--|

### Optional Surface Finishes

|                                |                     |                       |
|--------------------------------|---------------------|-----------------------|
| BH - brown light               | MP - Brass polished | CR - Chrome standard  |
| BM - brown medium              | MSA - Brass antique | CRM - Chrom dull      |
| BD - brown dark                |                     | CRP - Chrome polished |
| NIC - chemically nickel plated |                     |                       |
| GO - gold plated               |                     |                       |

### Order Code System

System Code.Cylinder.Type.finish.

### Example:

6.DRZ.74-4-020.NI = penta.push cylinder.74-4-020.nickel plated

6.GTS.74-4-020.NI = penta.glass door cylinder.74-4-020.nickel plated

Please note that certain options, finishes and dimensions may be subject to extended factory lead times. Please contact our office via email on [sales.uk@kaba.com](mailto:sales.uk@kaba.com) or telephone (0) 870 000 5625.

<sup>1)</sup> Kaba gemini and Kaba quattro are only offered for existing master key systems.

<sup>2)</sup> Kaba experT, Kaba maTriX and Kaba gemini T are only sold to authorized dealers.