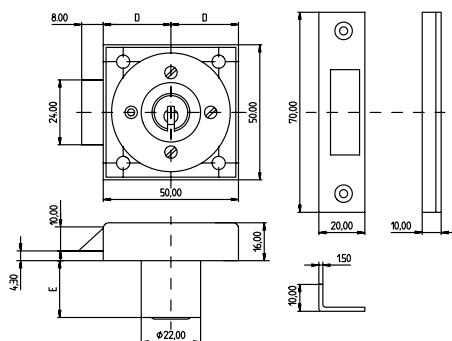
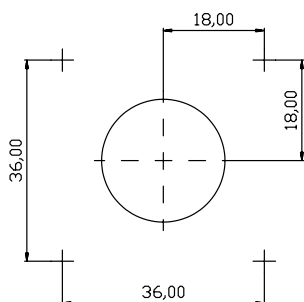


Surface Mounted Latch Lock MAS.1075



E = Installation depth in mm
D = backset (25 mm)



Assembly / Drilling pattern

Cylinder Length	Installation Depth
25	21
30	26
35	31
40	36
45	41
50	46
55	51
60	56
65	61
70	66
75	71

Application:

Surface mounted latch lock can be used left or right doors as well as top and bottom locking drawers.

Specification:

Lock case made from nickel plated metal, backset 25mm
Cylinder 1008C (see page K.108)
Rear plate and front plate, brushed brass
Brass connecting wood screws
Reversible key made from nickel silver

Included with the lock:

2 reversible keys (See "Special Functions and Keys" for key options)
Plastic key clip in dark red for Kaba penta, in dark blue for all other systems
1 rosette type 1008A-25
1 mortise plate type 1075-6
4 Wood screws M4x30
2 Wood screws M2.5x10
Security Card for ownership registration and ordering duplicate keys
Installation and Maintenance Instructions

Premier Systems:	6 Kaba penta	7 Kaba quattro pluS	12 Kaba gemini pluS
Patent expired systems	4 Kaba quattro S	2 Kaba gemini S	
Old systems	3 Kaba quattro ¹⁾	1 Kaba gemini ¹⁾	
Dealer systems	5 Kaba experT ²⁾	19 Kaba maTriX ²⁾	
Old dealer system		9 Kaba gemini T ²⁾	

Length Standard - from 25 to 75mm in 5mm steps
60 and 70mm available on request

Options (See „Special Functions and Keys“ for details)

BAZ	Construction key	BAZ3	Construction key 3		
LI	Left hinged door	RE	Right hinged door		
OB	Drawing locking up	UN	Drawer locking down		

Standard Surface Finishes (for lock cylinder)

NI - Nickel plated	MS - Brass natural	
--------------------	--------------------	--

Optional Surface Finishes

BH - brown light	MP - Brass polished	CR - Chrome standard
BM - brown medium	MSA - Brass antique	CRM - Chrom dull
BD - brown dark		CRP - Chrome polished
NIC - chemically nickel plated		
GO - gold plated		

Order Code System

System Code.Lock.Type.Cylinder length.Surface finish cylinder.locking direction.Option

Example:

6.MAS.1075.25.NI.RE = penta.latch lock.1075.cylinder 25mm long.nickel plated cylinder.
right hinged door

Please note that certain options, finishes and dimensions may be subject to extended factory lead times. Please contact our office via email on sales.uk@kaba.com or telephone (0) 870 000 5625

¹⁾ Kaba gemini and Kaba quattro are only offered for existing master key systems.

²⁾ Kaba experT, Kaba maTriX and Kaba gemini T are only sold to authorized dealers.