



TS 77  
—

Door Closer

## THE ECONOMICAL SOLUTION FOR STANDARD DOORS

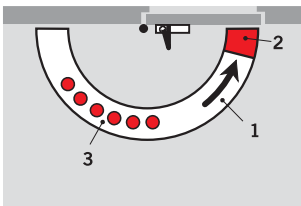
- Non-handed, suitable for standard, parallel arm and frame installation, one model to cover size EN 3 and EN 4.
- Fully controlled closing cycle.
- Surface finish for optimum corrosion protection.
- Available with rectangular clip-on cover (optional extra).

Data and features		TS 77	
Closing force	Size	EN 3	EN 4
Standard doors up to <sup>1)</sup>	≤ 950 mm	●	-
	≤ 1100 mm	-	●
External doors, opening outwards		-	-
Non-handed		●	●
Arm assembly type	Standard	●	●
	Slide channel	-	-
Closing force variable at adjustment screw		-	-
Closing speed variable by valve adjustment		●	●
Backcheck		-	-
Delayed action		-	-
Hold-open		○	○
Weight in kg		1.7	
Dimensions in mm	Length	180	
	Overall depth	65	
	Height	43	

● yes - no ○ optional

<sup>1)</sup> For applications involving particularly heavy doors and doors which have to close against wind resistance, we recommend the DORMA TS 83.

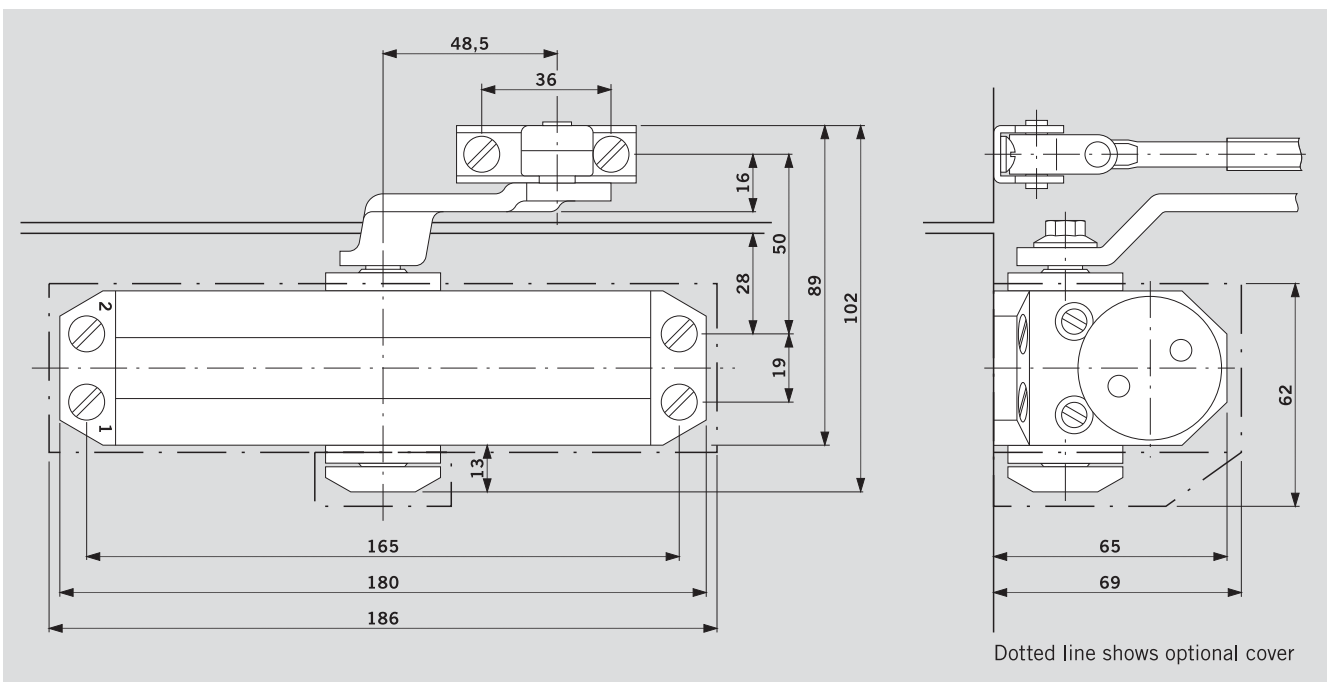
## STANDARD AND OPTIONAL FUNCTIONS



**Example**  
left-hand (ISO 6) door,  
pull side fixing

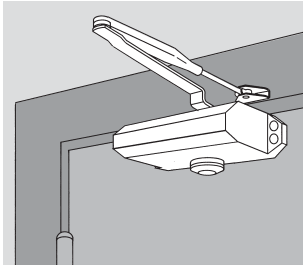
- 1 Fully controlled closing with speed adjustable between 180° or 120° and 20°
- 2 Adjustable latching action adjustable between 20° and 0°

- 3 Hold-open range if equipped with hold-open arm (optional extra)

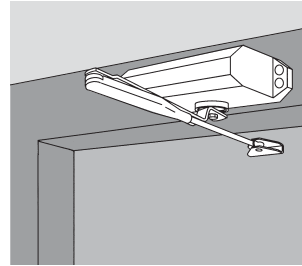


## APPLICATIONS AND FIXING

---



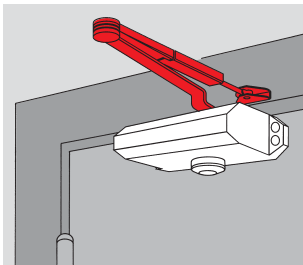
**On the pull side**  
Door leaf fixing (standard)



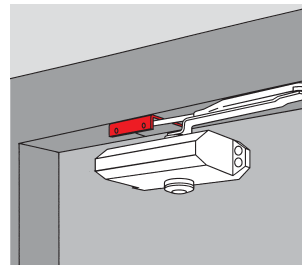
**On the push side**  
Transom fixing (overhead installation)

## ACCESSORIES

---



**With hold-open arm assembly**  
for temporary door hold-open (optional extra)



**Parallel arm**  
for parallel arm assembly (for installation dimensions, see fixing instructions)

## SPECIFICATION TEXT

---

Rack-and-pinion door closer with hydraulically fully controlled closing cycle, non-handed, template adjustable for size EN 3 and EN 4.

**Model**

- Size EN 3
- Size EN 4
- With hold-open arm

**Accessories** \_\_\_\_\_

**Closer Colour**

- silver
- dark brown

**Clip-on cover**

- silver
- white
- gold

**Make**

DORMA TS 77



DORMA India Private Limited  
14 Pattullous Road  
CHENNAI - 600 002  
INDIA  
Phone +91 44 2855 9192  
Fax +91 44 2858 5096  
[www.dorma.com/in](http://www.dorma.com/in)