



# TS 68

Door Closer

## The ideal low-cost solution for standard doors

With the TS 68, DORMA has developed a low-cost door closer which can be universally used on all common door types. It is particularly quick and easy to install – and does not require a mounting backplate.

The closer arm's power shoe and changes in templating allow easy selection of the closing force to suit various door sizes.

Certified to ISO 9001

### Plus points

#### For the trade

- The low cost solution for standard doors.
- Just one model for all mounting positions.

#### For the installer

- Non-handed unit.
- Quick and easy to install.
- Fixes perfectly to all door types without the need for a mounting backplate.

#### For the specifier/architect

- Compact design.
- Inexpensive, proven reliability.

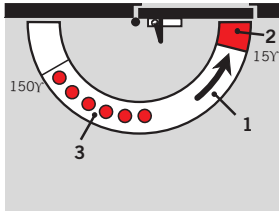
#### For the user

- Closing cycle largely unaffected by temperature changes.
- Two valves for optimum closing speed and reliable latching action.

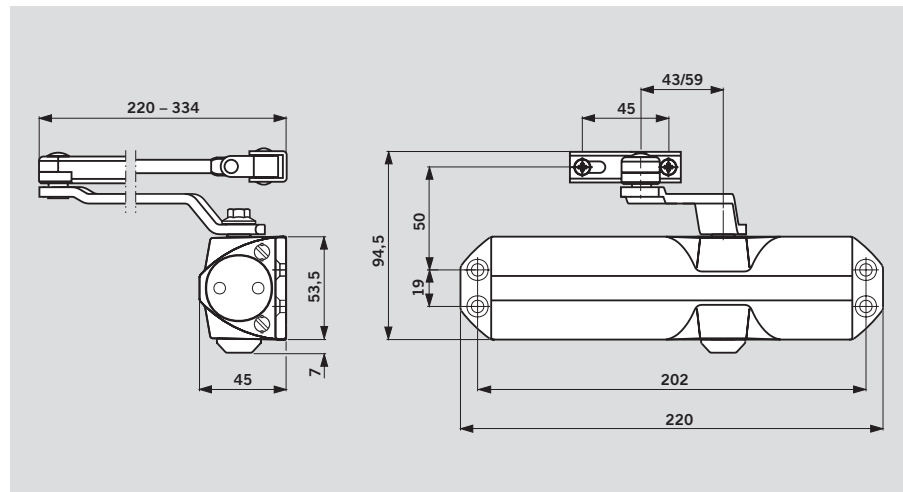
Data and features		TS 68
Selectable closing force (variable via arm power shoe and templating)	Size	EN 2/3/4
Door width	≤ 1100 mm	•
External doors, outward opening		–
Non-handed		•
Arm	Standard arm	•
	Slide channel	–
Closing speed adjustable via 2 independent valves	180° – 15°	•
	15° – 0°	
Backcheck		–
Delayed action		–
Hold-open		○
Weight in kg		1.4
Dimensions in mm	Length	220
	Overall depth	45
	Height	53.5

• Yes – no ○ option

### Standard and optional functions



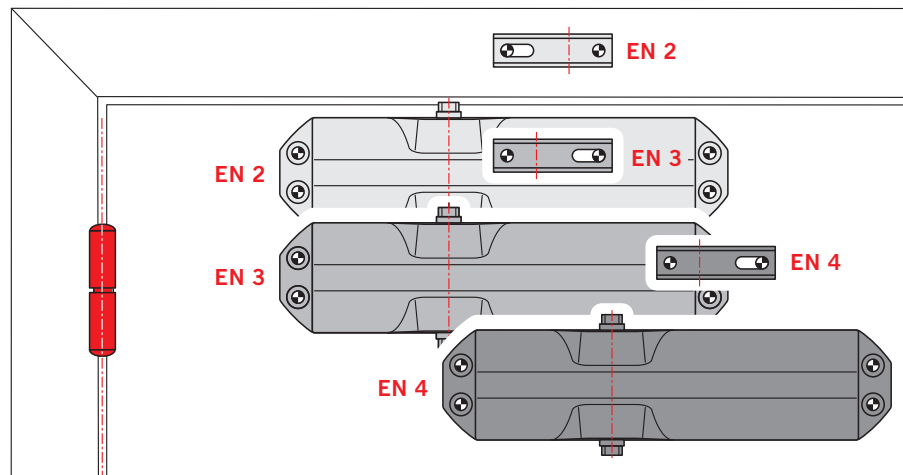
- 1 Adjustable closing speed in the range 180° – 15°.
- 2 Adjustable closing speed in the range 15° – 0°.
- 3 Hold-open range with hold-open arm model (optional extra).



### Closing force settings

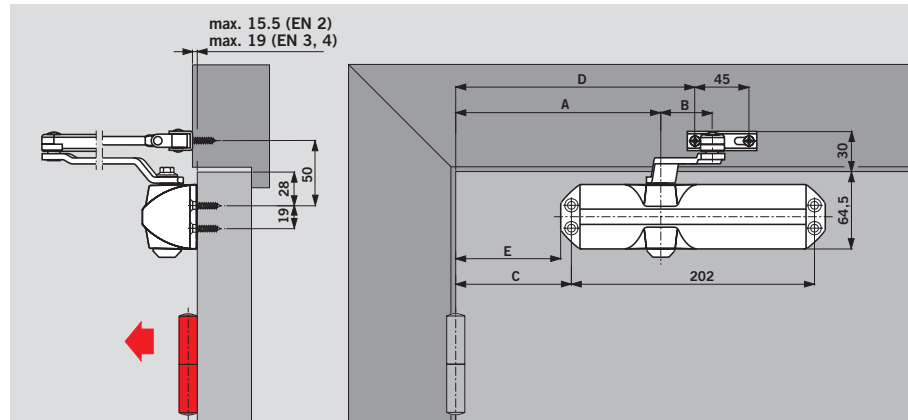
Door width	Size setting
≤ 850	EN 2
≤ 950	EN 3
≤ 1100	EN 4

The TS 68's size setting is selected for the door width by moving the closer body and/or turning the arm power shoe.



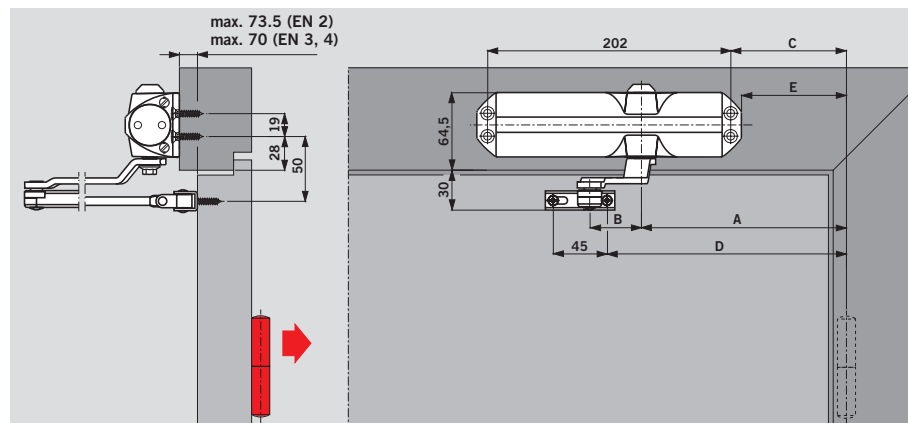
### Door-leaf fixing, pull side

	EN 2	EN 3	EN 4
A	170	170	250
B	59	43	43
C	96	96	176
D	198.5	198.5	278.5
E	87	87	167

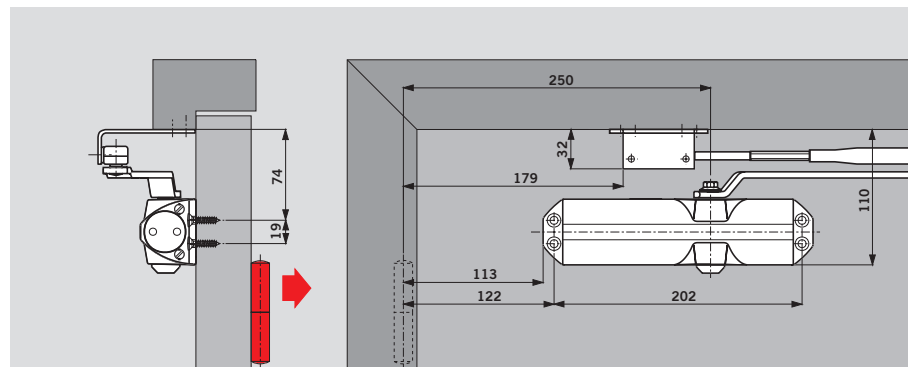


### Frame fixing, push side

	EN 2	EN 3	EN 4
A	170	170	250
B	59	43	43
C	96	96	176
D	198.5	198.5	278.5
E	87	87	167



### Parallel arm fixing, push side



#### Standard equipment and accessories

Colour	xx
silver	01
brass	02
dark brown	03
white	11

Order-Number:  
 ■ = Closer with arm, complete  
 # = Accessory

Door closer TS 68	Standard arm	Hold-open arm	Parallel arm bracket
Size EN 2/3/4	■ 664001xx	■ 664002xx	280066xx
			#

#### Specification text

Rack-and-pinion door closer with selectable closing force, size EN 2, 3 and 4; adjustable closing speed in two independent ranges. Non-handed.

#### Model

- with standard arm
- with hold-open

#### Colour

- silver
- brass
- dark brown
- white (similar to RAL 9016)

Make DORMA TS 68

WN 051 579 51532, 01/10, TS 68, GB, x. xx. xv/10 · Subject to change without notice



Door Control



Automatic



Glass Fittings  
and Accessories



DORMA Entry  
Systems (DES)



Security / Time and  
Access Control (STA)



Movable Walls

DORMA India Private Limited  
14 Pattullous Road  
Chennai - 600 002 INDIA  
Tel +91 44 2858 5097 / 2855 9192 - 94  
Fax +91 44 2858 5096  
enquiry@dormaindia.com