

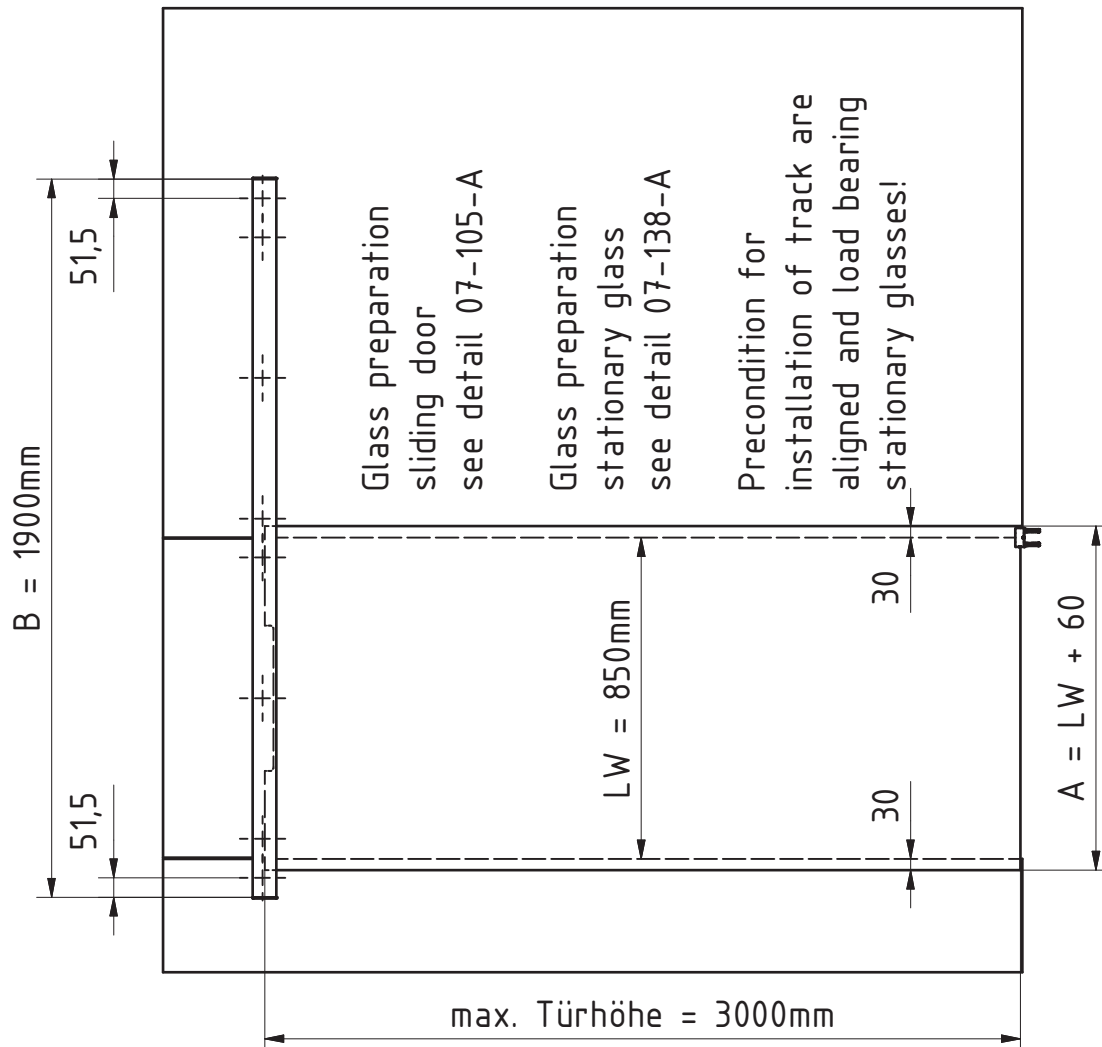
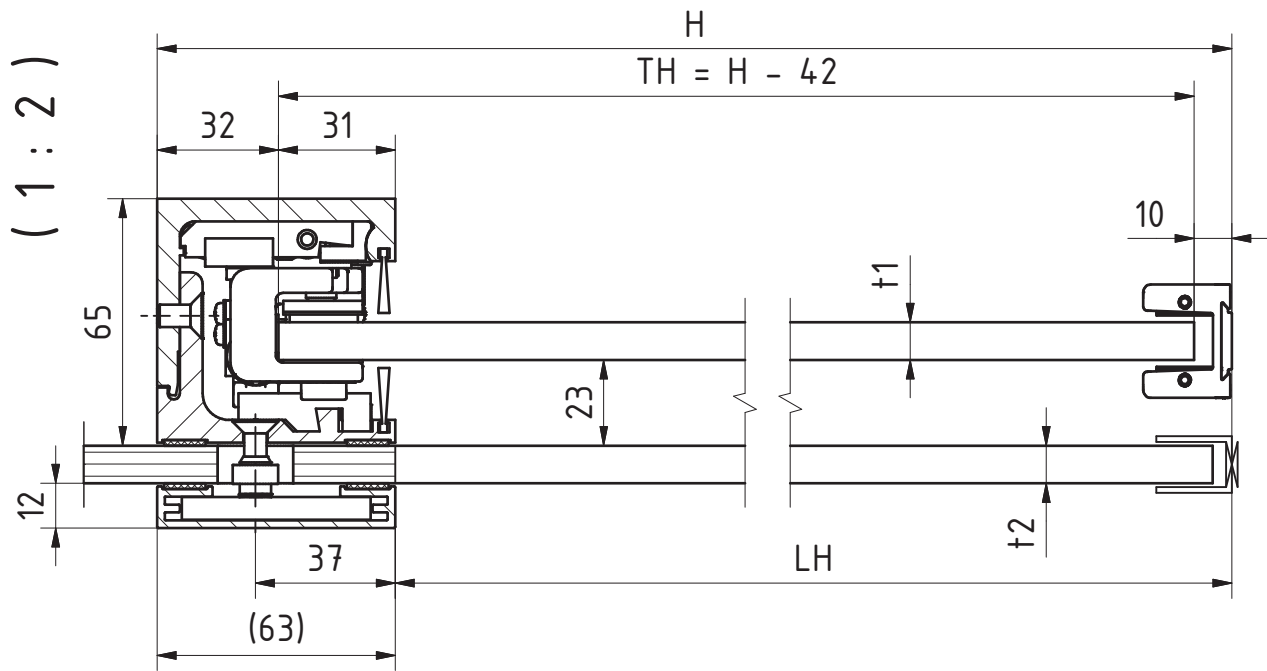
AGILE 150 DORMOTION to glass



COMPACT Set 850mm, Art.-No.: 07.700, for 8-13,5mm sliding door

max. sliding door weight: 150kg

stationary glasses: 10-19mm glass



- LH = clear height
- LW = clear width
- t1 = glass thickness sliding door (8-13,5mm)
- t2 = glass thickness stationary glass (10-19mm)

- A = glass width
- B = length of track
- H = total height
- TH = door height

1:20

03.10 / 004424

07-143

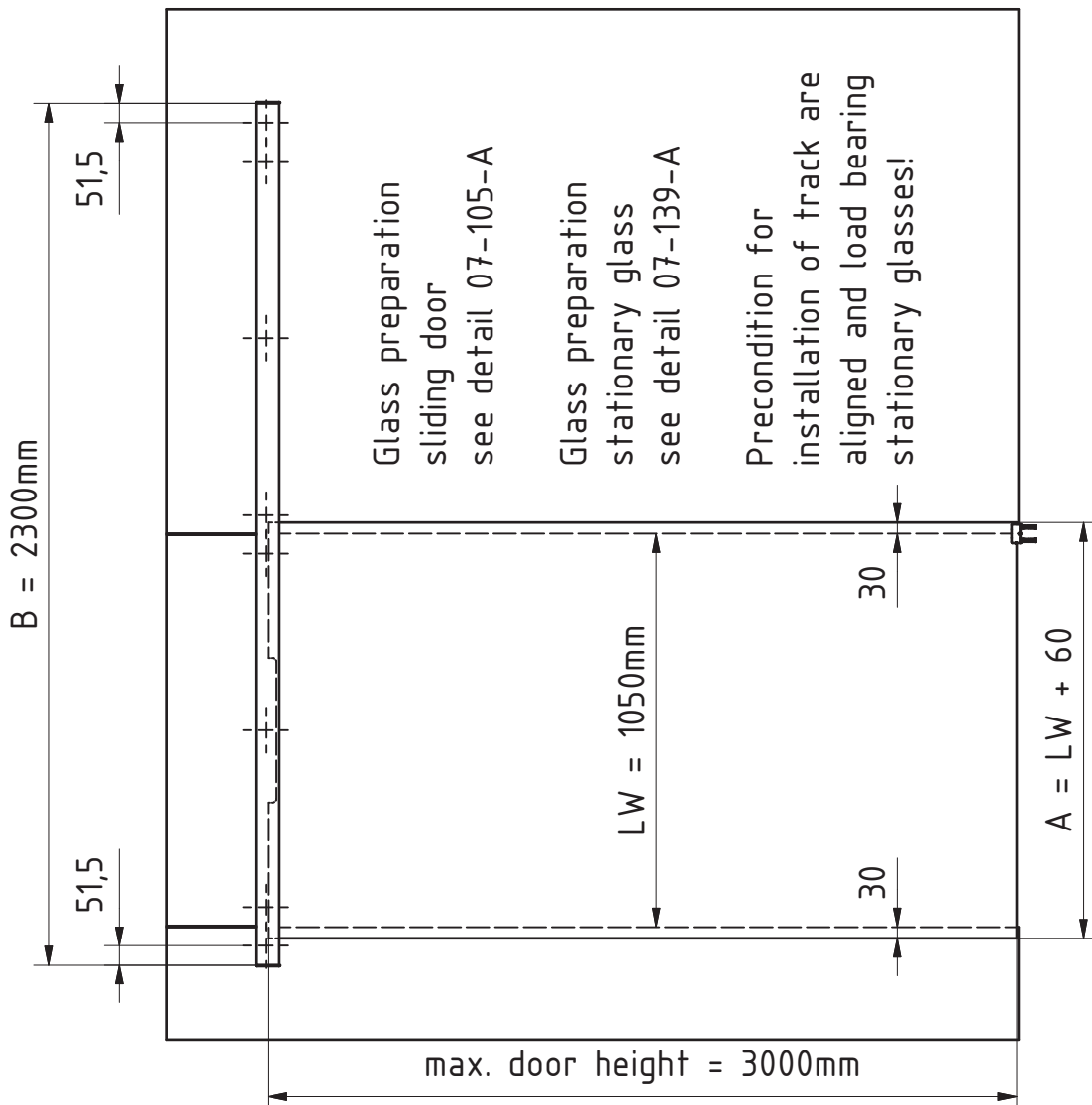
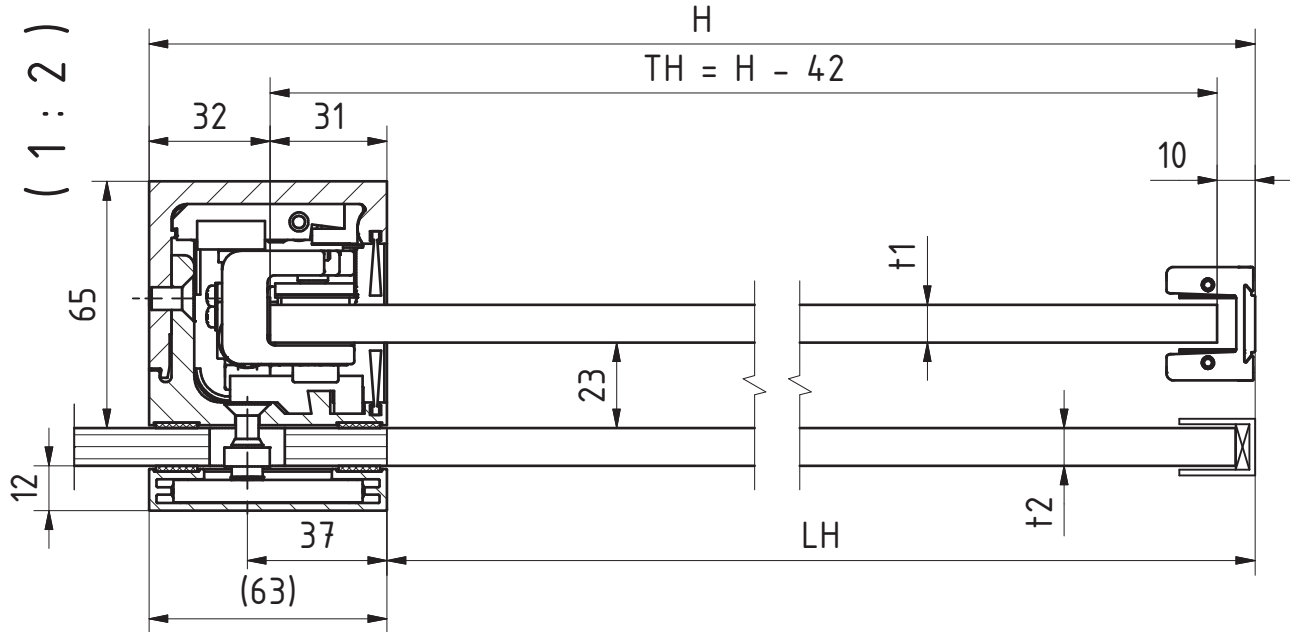
AGILE 150 DORMOTION to glass



COMPACT Set 1050mm, Art.-No.: 07.701, for 8-13,5mm sliding door

max. sliding door weight: 150kg

stationary glasses: 10-19mm glass



1:20

03.10 / 004424

- A = glass width
- B = length of track
- H = total height
- TH = door height
- LH = clear height
- LW = clear width
- t1 = glass thickness sliding door (8-13,5mm)
- t2 = glass thickness stationary glass (10-19mm)

07-144

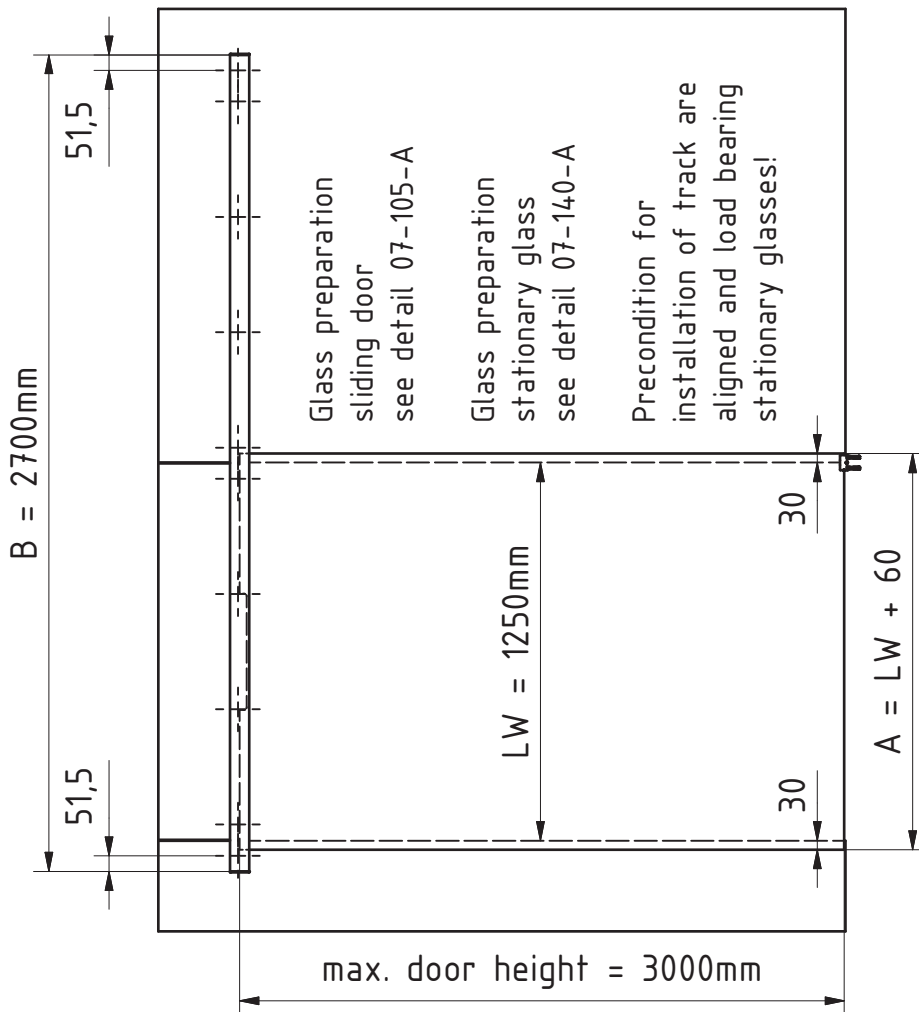
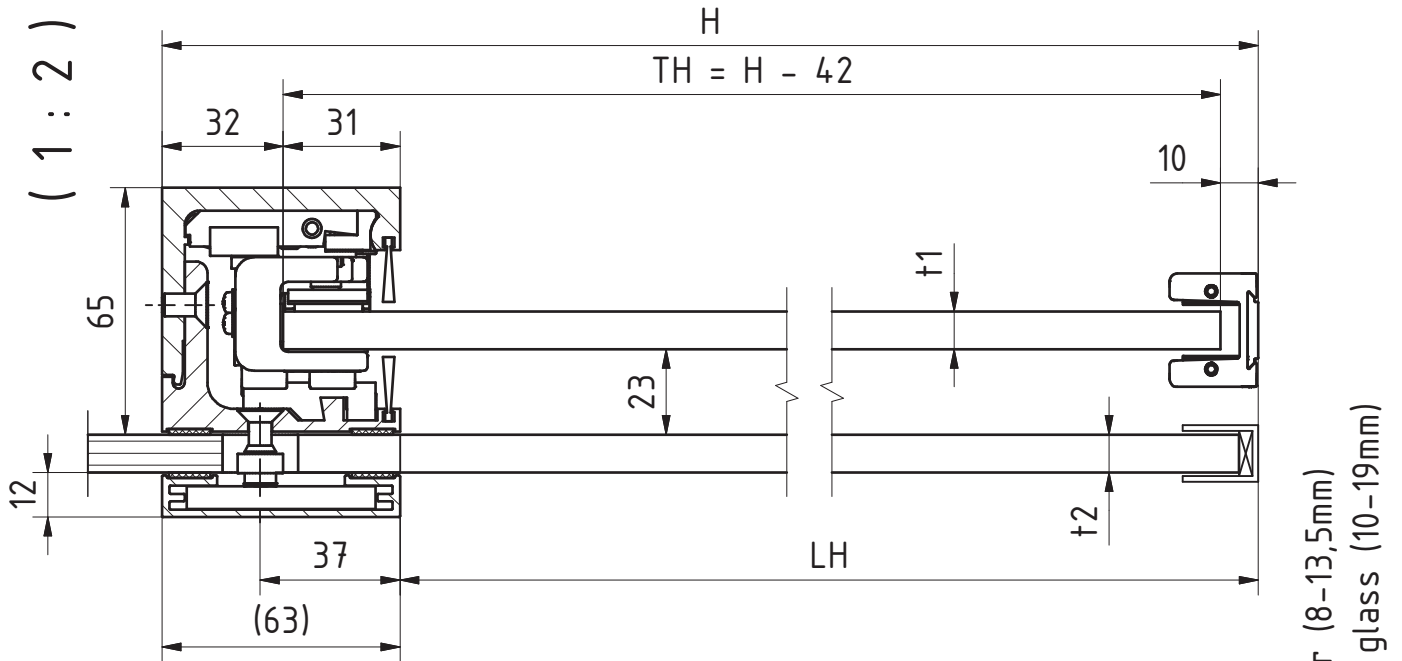
AGILE 150 DORMOTION to glass



COMPACT Set 1250mm, Art.-No.: 07.702, for 8-13,5mm sliding door

max. sliding door weight: 150kg

stationary glasses: 10-19mm glass



- A = glass width
- BH = clear height
- B = length of track
- LW = clear width
- H = total height
- t1 = glass thickness sliding door (8-13,5mm)
- t2 = glass thickness stationary glass (10-19mm)
- TH = door height

1:25

03.10 / 004424

07-145

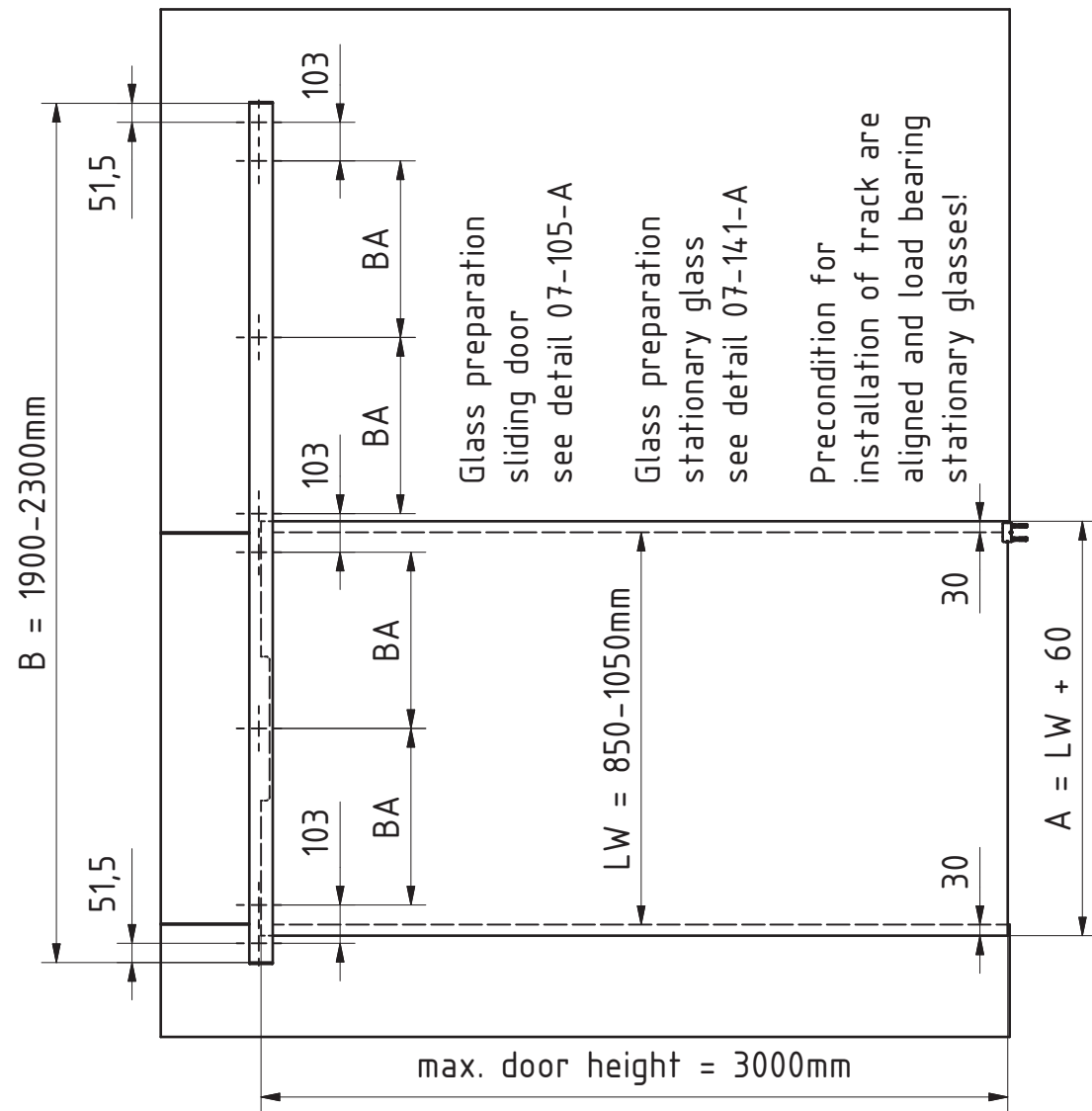
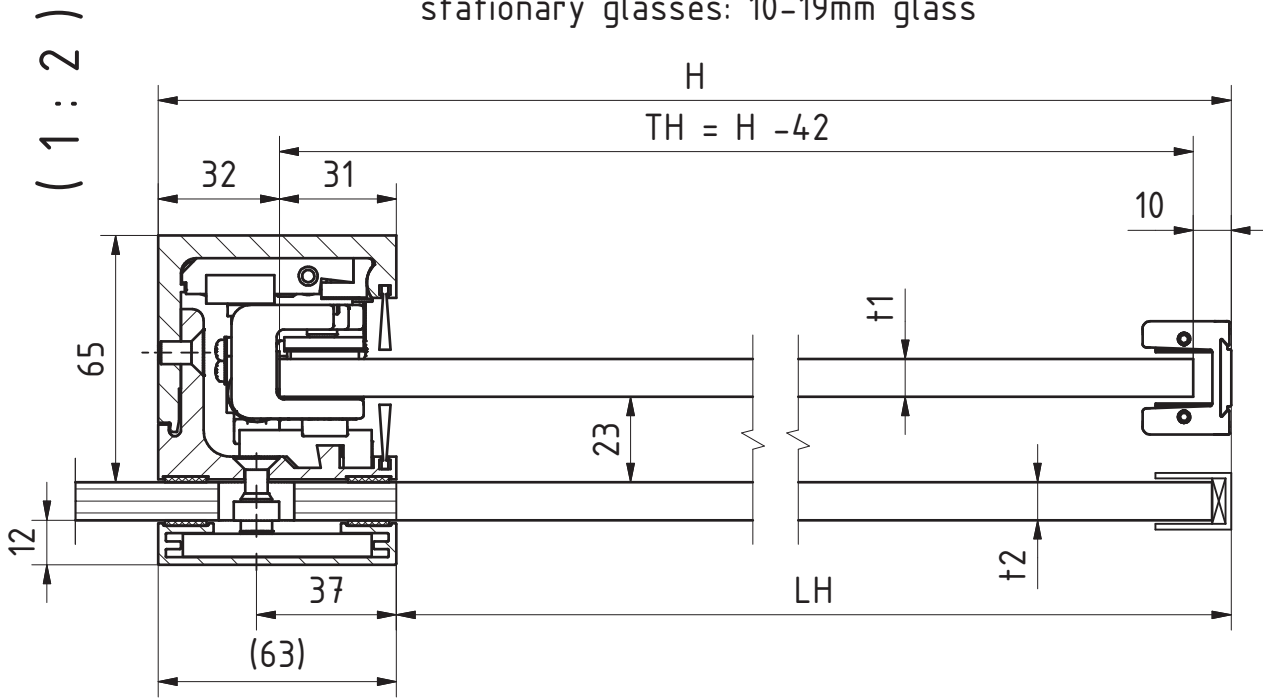
AGILE 150 DORMOTION to glass



CONCEPT Set 850-1050mm, Art.-No.: 07.706, for 8-13,5mm sliding door

max. sliding door weight: 150kg

stationary glasses: 10-19mm glass



Glass preparation sliding door see detail 07-105-A

Glass preparation stationary glass see detail 07-141-A

Precondition for installation of track are aligned and load bearing stationary glasses!

BA = distance of drillings (see detail 07-141-A)

LH = clear height
 LW = clear width
 t1 = glass thickness sliding door (8-13,5mm)
 t2 = glass thickness stationary glass (10-19mm)

B = (BAx4)+412= _____ mm

A = glass width
 B = length of track
 H = total height
 TH = door height

1:20

03.10 / 004424

07-146

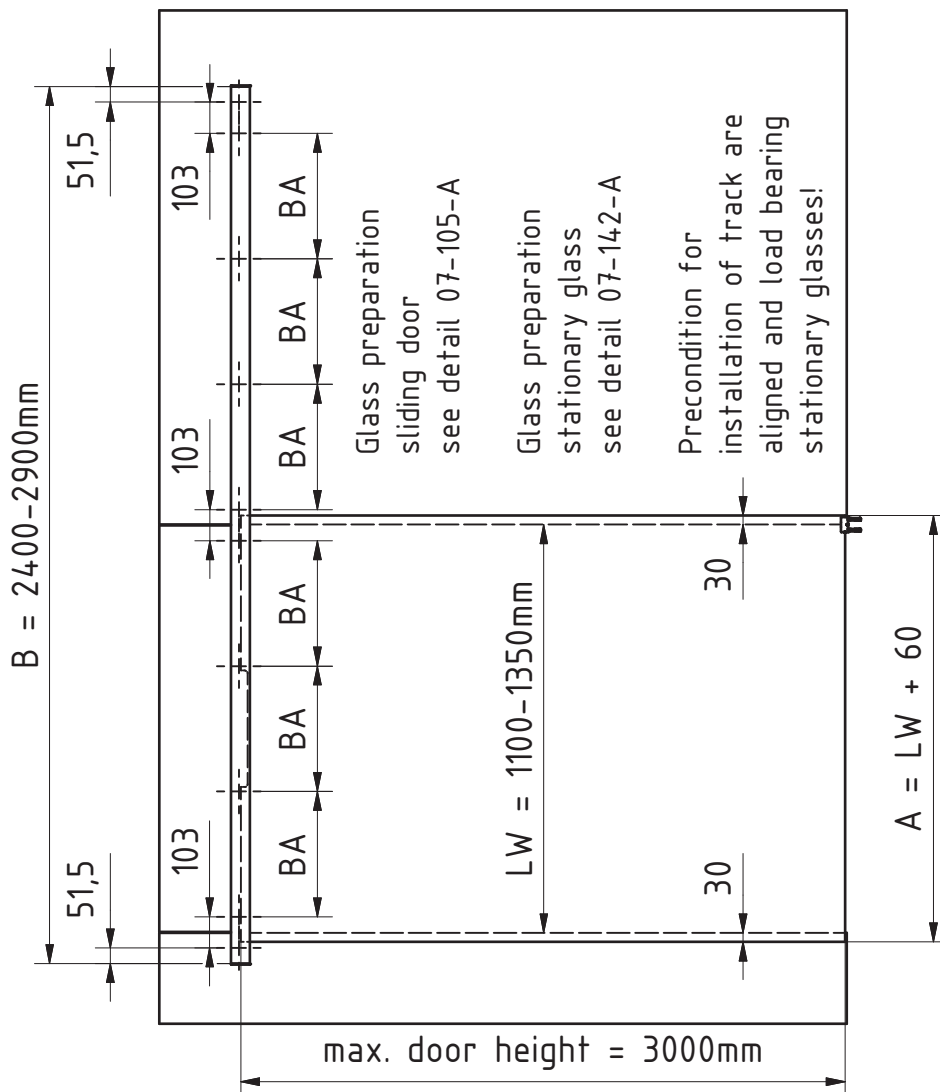
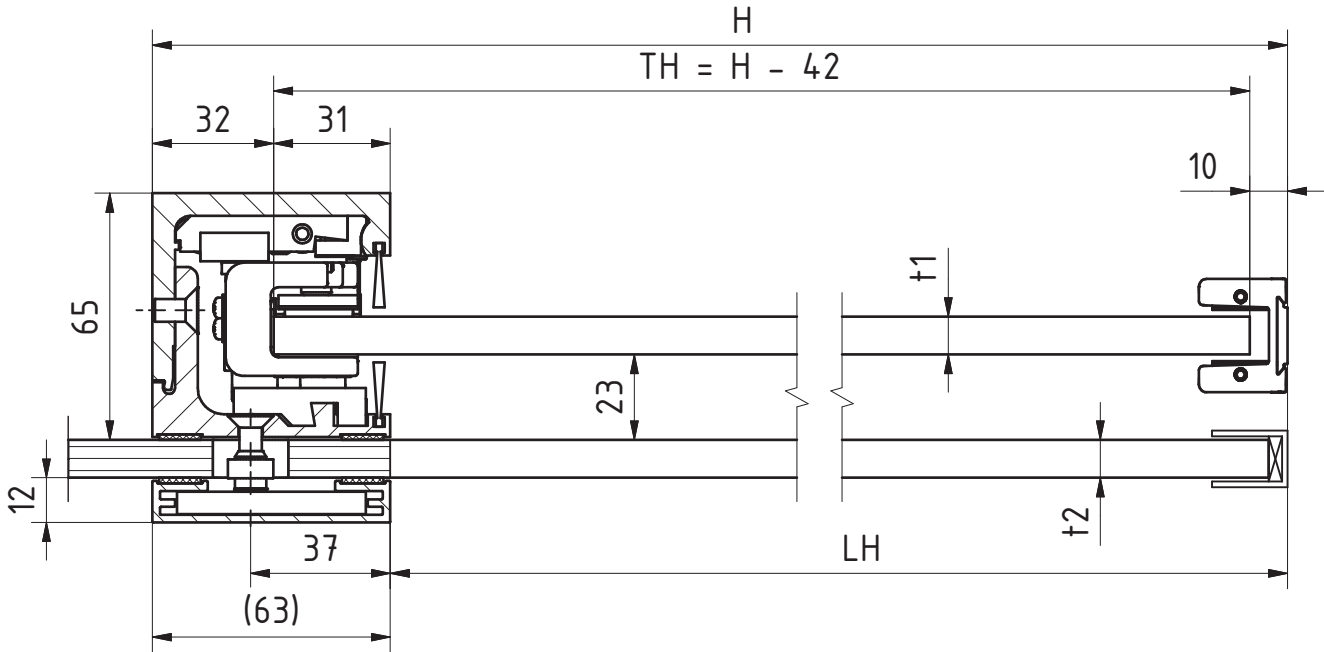
AGILE 150 DORMOTION to glass



CONCEPT Set 1100-1350mm, Art.-No.: 07.707, for 8-13,5mm sliding door

max. sliding door weight: 150kg

stationary glasses: 10-19mm glass



Glass preparation sliding door see detail 07-105-A
 Glass preparation stationary glass see detail 07-142-A
 Precondition for installation of track are aligned and load bearing stationary glasses!

BA = distance of drillings (see detail 07-142-A)

LH = clear height

LW = clear width

t1 = glass thickness sliding door (8-13,5mm)

t2 = glass thickness stationary glass (10-19mm)

B = (BAx4)+412= _____ mm

A = glass width

B = length of track

H = total height

TH = door height

1:25

03.10 / 004424

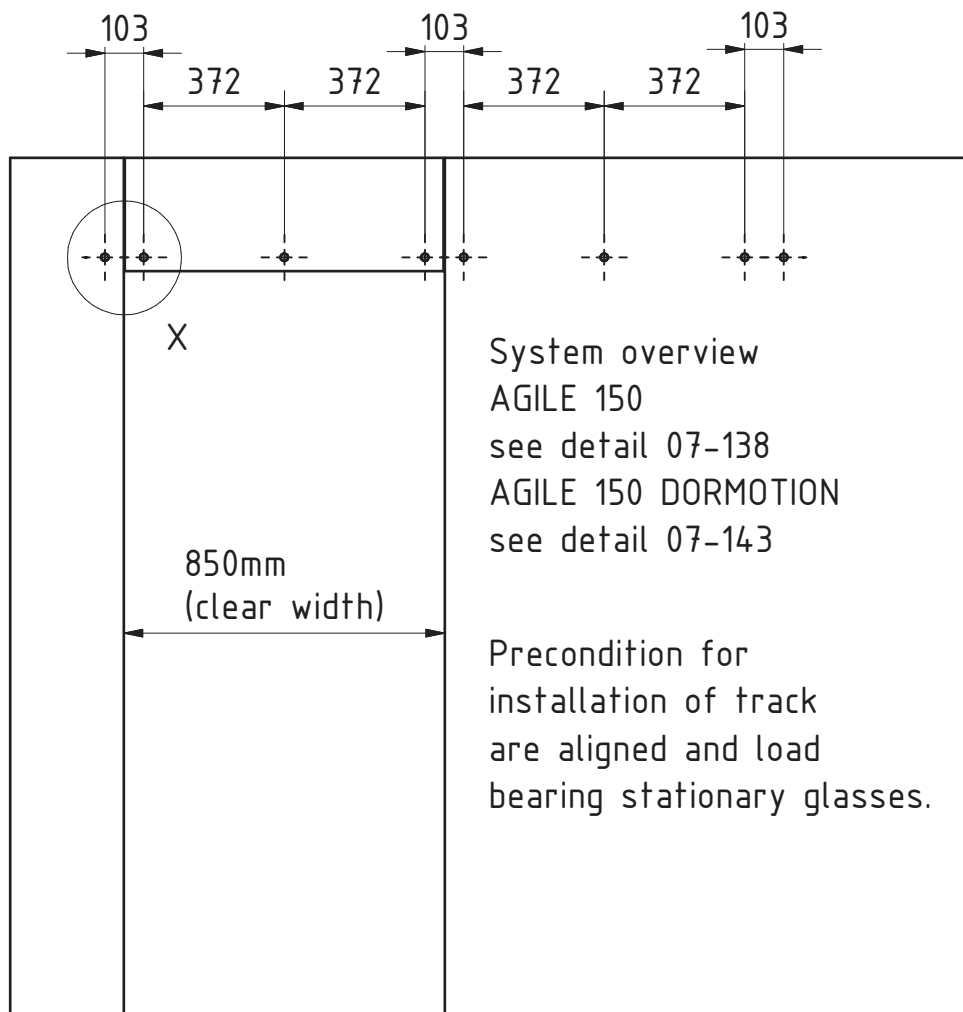
07-147

AGILE 150 / AGILE 150 DORMOTION to glass

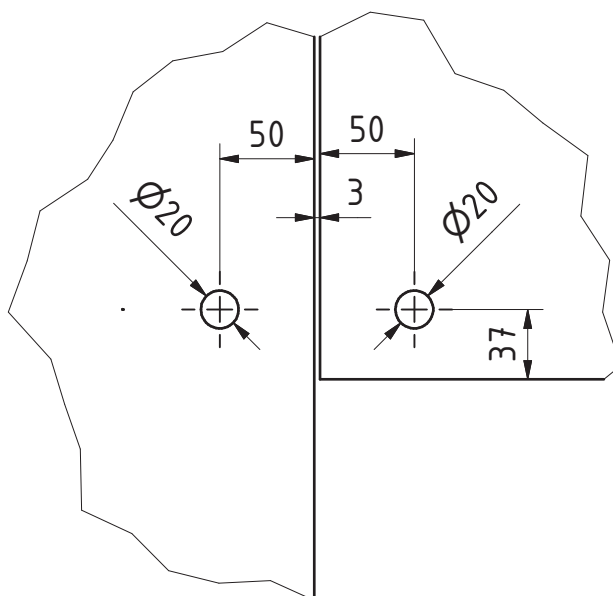


COMPACT Set 850 mm, Art.-No.: 07.735 / 07.700

Glass preparation for 10-19mm stationary glasses



X (1 : 4)

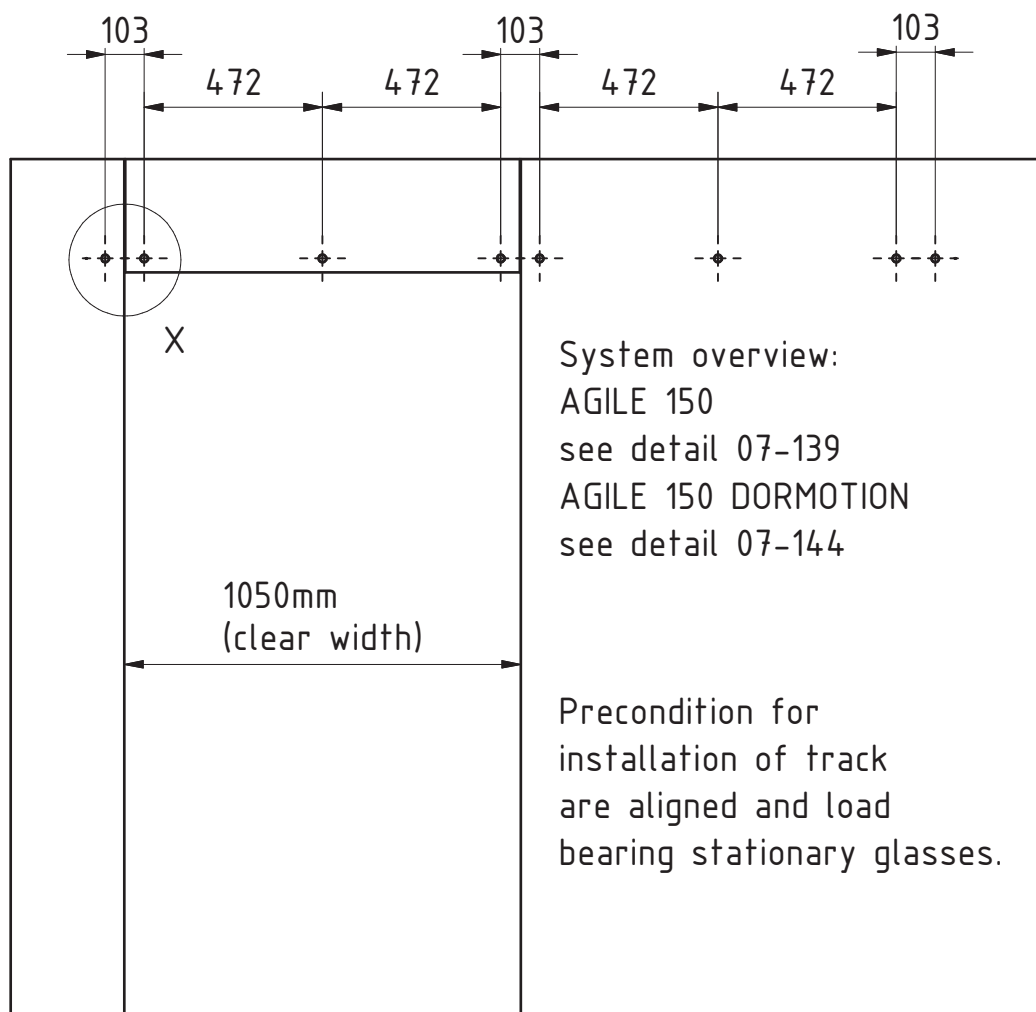


AGILE 150 / AGILE 150 DORMOTION to glass

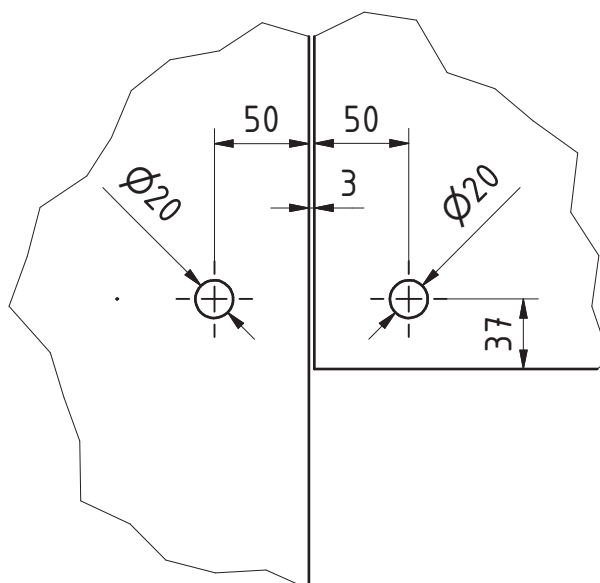


COMPACT Set 1050 mm, Art.-No.: 07.736 / 07.701

Glass preparation for 10-19mm stationary glasses



X (1 : 4)

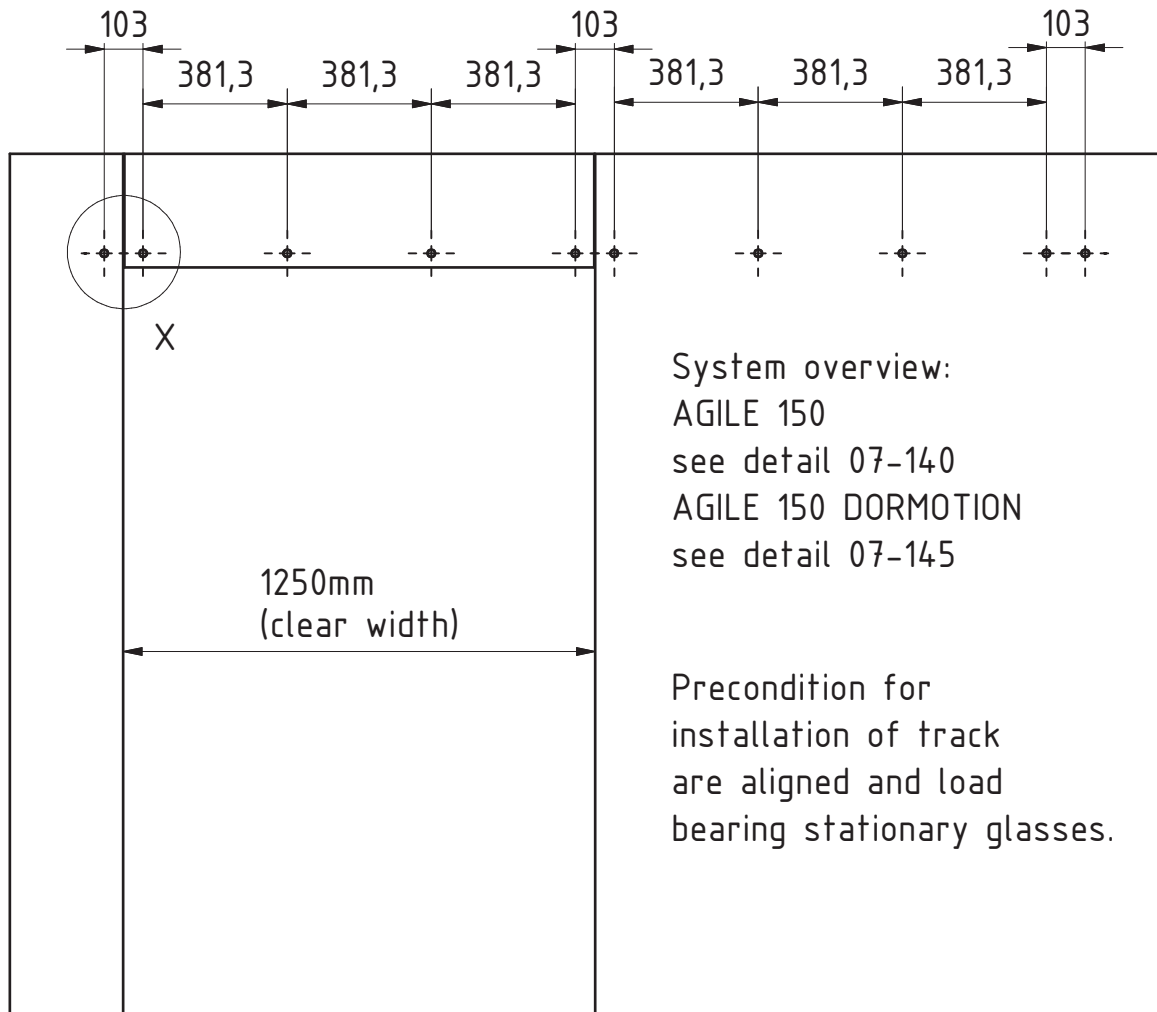


AGILE 150 / AGILE 150 DORMOTION to glass

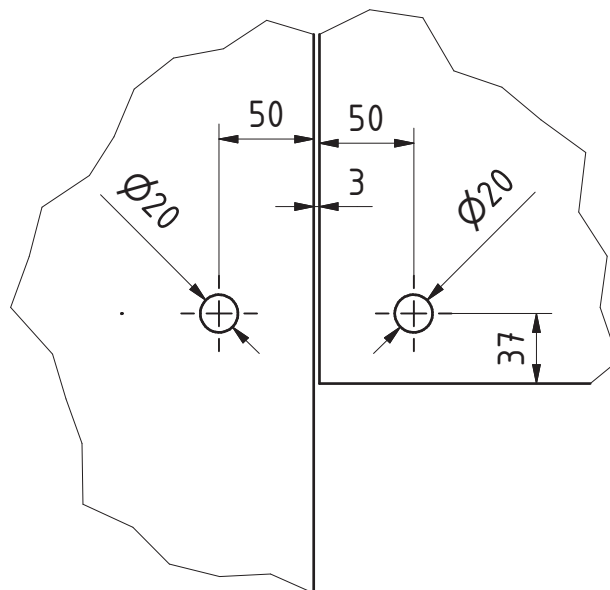


COMPACT Set 1250 mm, Art.-No.: 07.737 / 07.702

Glass preparation for 10-19mm stationary glasses



X (1 : 4)



1:20

03.10 / 004424

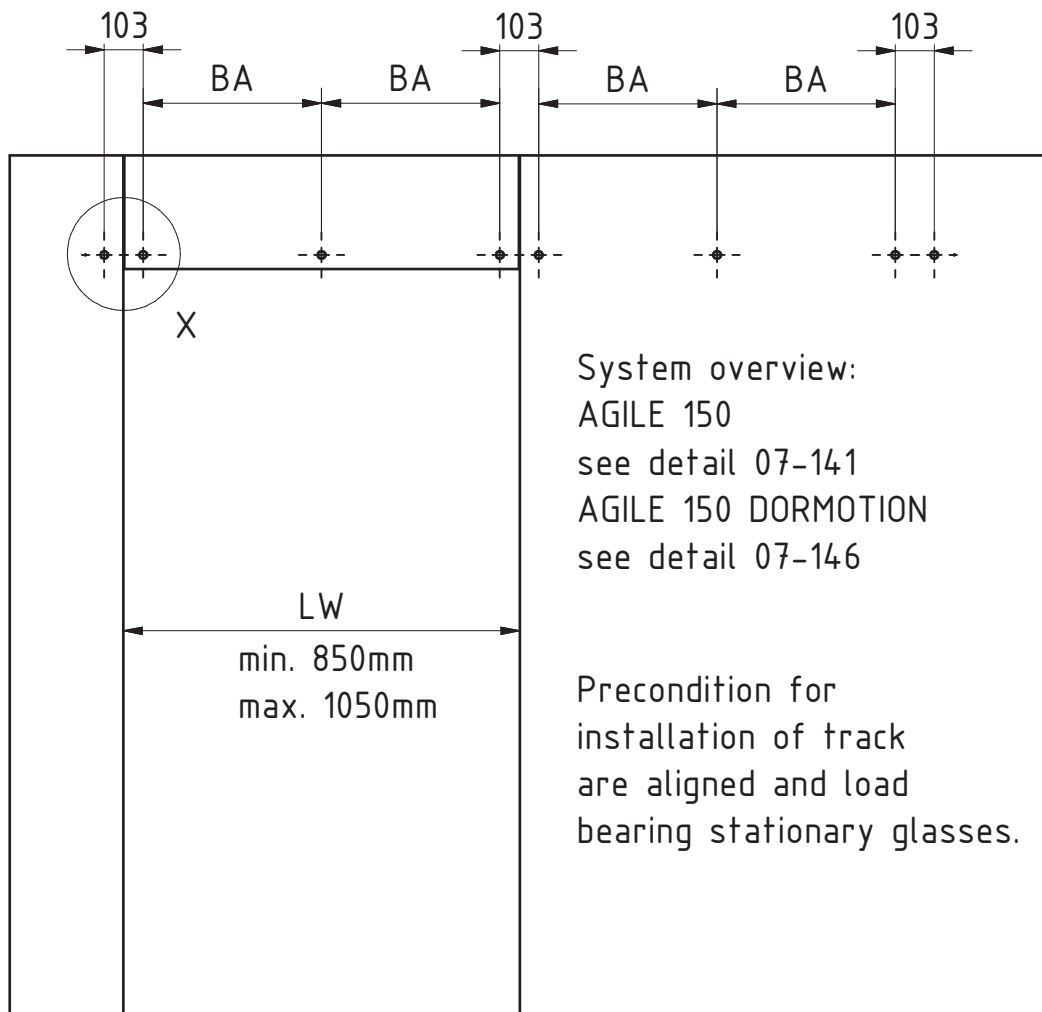
07-140-A

AGILE 150 / AGILE 150 DORMOTION to glass



CONCEPT Set 850 - 1050mm, Art.-No.: 07.738 / 07.706

Glass preparation for 10-19mm stationary glasses

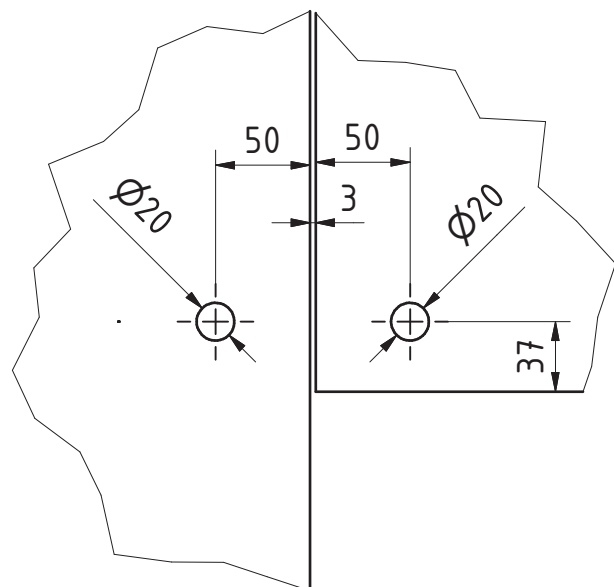


X (1 : 4)

BA = distance of drillings
 LW = clear width

LW = _____ mm

BA = (LW-106) / 2 = _____ mm



1:20

03.10 / 004424

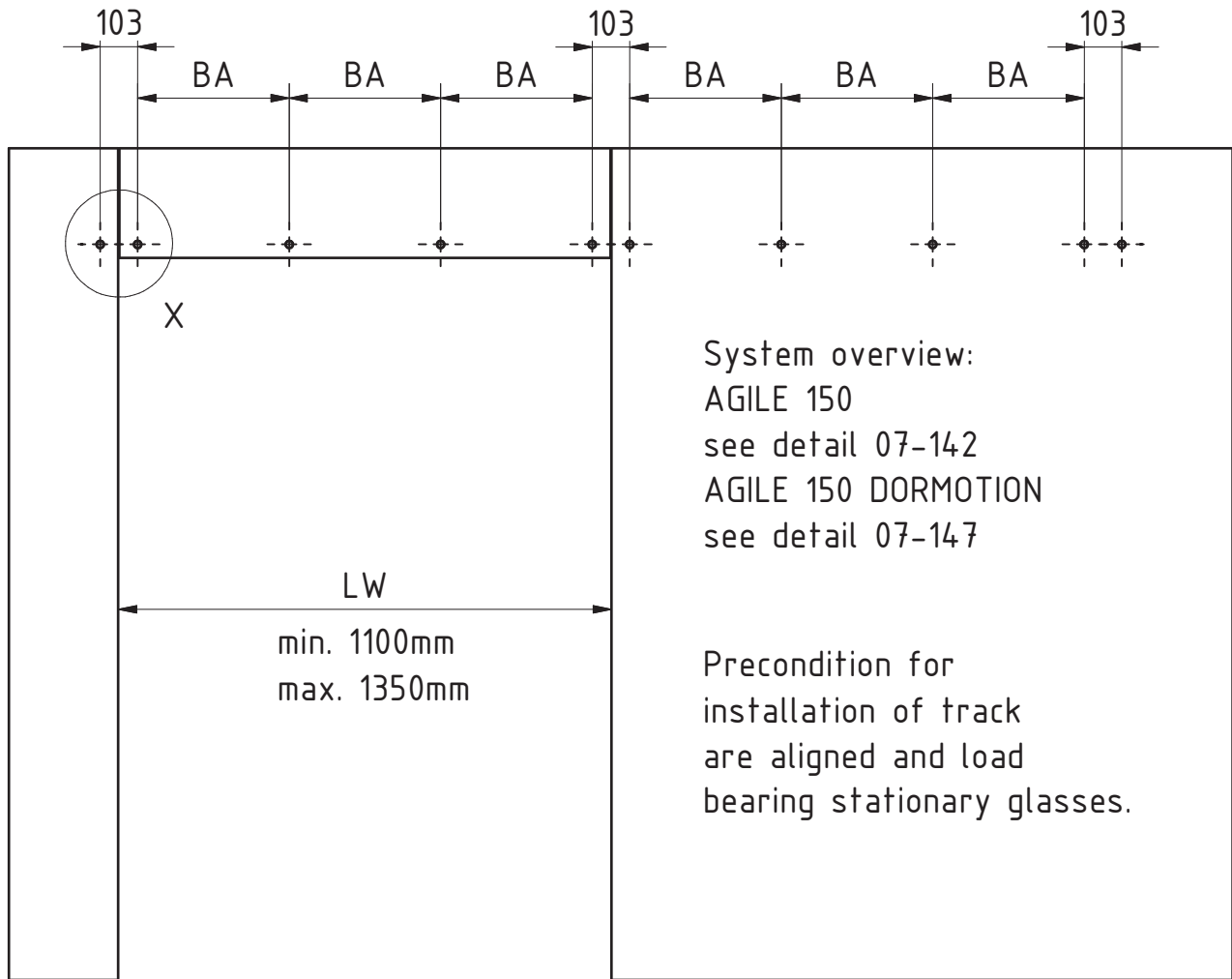
07-141-A

AGILE 150 / AGILE 150 DORMOTION to glass

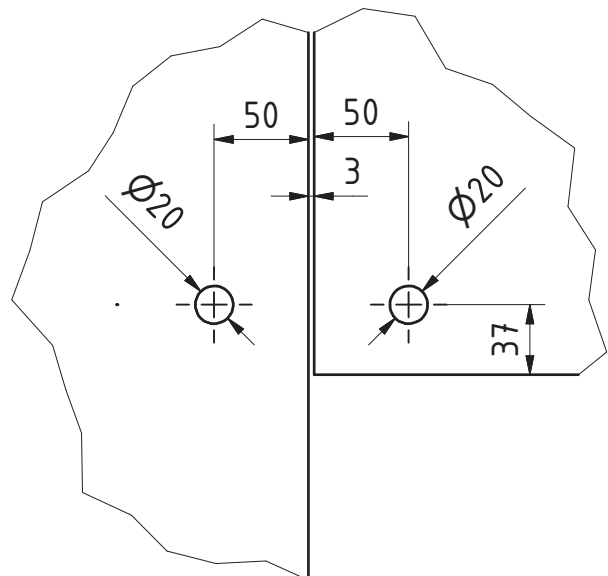


CONCEPT Set 1100 - 1350mm, Art.-No.: 07.739 / 07.707

Glass preparation for 10-19mm stationary glasses



X (1 : 4)



BA = distance of drillings
 LW = clear width

LW = _____ mm

BA = $(LW - 106) / 2 =$ _____ mm

1:20

03.10 / 004424

07-142-A