

A close-up photograph of a silver-colored metal door hardware component, likely a door pull or handle. The component is long and rectangular with a perforated end. A small DORMA logo is embossed on the top surface. The background is a plain, light gray surface.

PORTEO

—

Door Assistant

# PORTEO – THE DOOR ASSISTANT THAT ADDS CONVENIENCE TO DOORS

The PORTEO offers an innovative and convenient way to open doors effortlessly and to close them automatically. With all the elegance of the DORMA Contur design, the PORTEO is specifically suited to interior doors, performing all the functions needed to make life just that little bit easier for all. High-quality DORMA technology makes the PORTEO particularly easy to operate – with minimum noise, high functional reliability and excellent application adaptability. The PORTEO is delivered ready-to-connect and offers much comfort and safety in conjunction with fast mounting thanks to its Plug & Go feature. The system is delivered as complete package with slide channel and mounting plate.

### Benefits point by point

- Door assistant for swing doors
- Effortless opening and closing of swing doors up to widths of 1100 mm and door-leaf weights of up to 100 kg
- One version for all four ways of mounting: hinge and opposite hinge side, lintel mounting or door-leaf mounting. Compact dimensions 60x530x80 mm (HxWxD), particularly suitable for use in conjunction with narrow-stile and standard profile door systems
- Extremely low installation height of just 60 mm

The PORTEO can be further functionalised with original DORMA system accessories to give even more operating convenience, user-friendliness and enhanced safety. In combination with an optional pushbutton and an electric strike, for example, the door can be simply opened with the push of a button. Use the hand-held transmitter "DORMA atent" for even more convenient opening and closing – it doesn't get more flexible than this. The PORTEO is the inexpensive application for opening and closing doors the convenient way. Safe, reliable and easy to upgrade.

Certified to ISO 9001

- Virtually noiseless operation
- Easy installation thanks to ready-to-connect Plug & Go function with mounting plate
- In DORMA Contur design, cubic design, winner of the 2005 red dot design award and "Le Janus de l'Industrie 2007"
- GGT-approved



Fields of application	
<b>Interior doors, single-leaf</b>	
Door-leaf width	≤1100 mm
Door-leaf weight, max.	100 kg

Technical specifications	
Lintel mounting/door-leaf mounting on hinge side/opposite hinge side	●
Non-handed	●
Latching action (de-/activatable)	●
Dimensions H x W x D	60 x 530 x 80 mm
Weight	3.2 kg
Supply voltage	230 V AC, 50/60 Hz
Power supply for external accessories	24 V DC, 300 mA
Class of protection	IP 20
Low-Energy-Function	●
Compliant with DIN 18650 and EN 16005	●
CE marking	●
GS mark, TÜV type-approved	●

Adjustable parameters	
Adjustable opening time (0° – 90°)	5 to 10 sec.
Adjustable closing time (90° – 0°)	5 to 10 sec.
Adjustable hold-open time	5 to 30 sec.*
Adjustable opening angle, max.	110°

\* in Powerless Mode 0.5 to 30 sec.

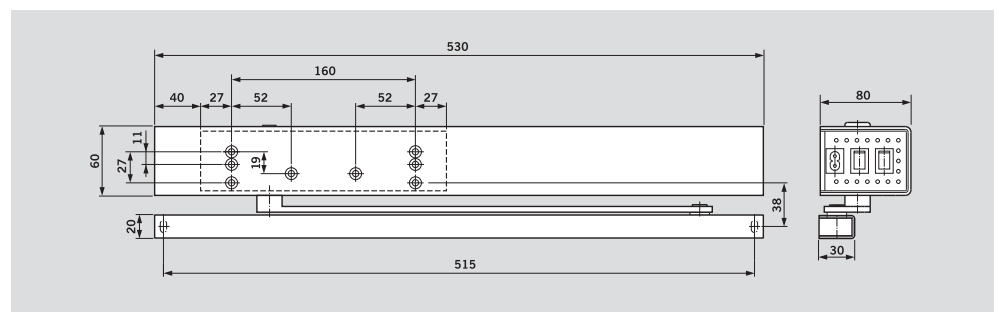
Standard function programs	
Powerless Mode	●
Push & Go	●
PowerMotion	●
Permanent Open	●
Obstruction recognition	●
Anti-vandalism feature (deactivation of gear)	●
Automatic recognition:	
Door is locked	●
Door has an electric strike	●

Prepared for following accessories	
Electric strike, e.g. DORMA Basic type	○
Hand-held transmitter, e.g. DORMA atent	○
Pushbutton, e.g. DORMA System 55	○


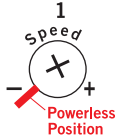

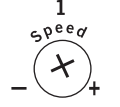



● Standard ○ Option






reddot design award winner 2005



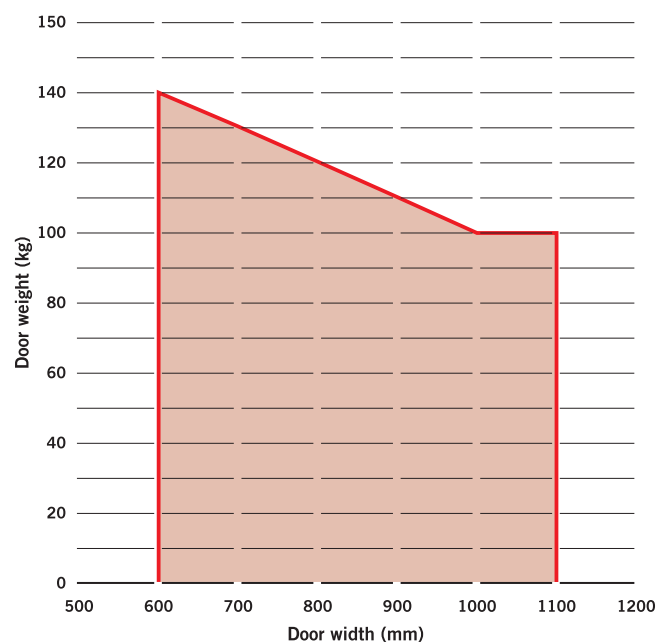
# STANDARD FUNCTIONS

Operating mode	Door equipment	Settings	
		Program switch	Potentiometer
 <p><b>Powerless</b> Effortless manual door opening. The door closes automatically on expiry of the individually adjusted hold-open time.</p>	<ul style="list-style-type: none"> <li>– Standard locking device</li> <li>– Lever handle</li> </ul>	I	
 <p><b>Push &amp; Go</b> Once the door is opened manually by 3°, the automatic door opening function is triggered. The PORTEO then closes the door again automatically after the adjusted hold-open time.</p>	<ul style="list-style-type: none"> <li>– Standard locking device</li> <li>– Lever handle</li> </ul>	I	 <p>Adjustable opening and closing time. Original setting 10 sec. (max.)</p>
 <p><b>PowerMotion</b> Automatic opening and closing of door in combination with electric strikes and external activators such as the DORMA atent hand-held transmitter, a radio remote control or a transponder. As soon as the signal is transmitted and the electric strike is released, the door automatically opens and then closes again on expiry of the adjusted hold-open time.</p>	<ul style="list-style-type: none"> <li>– Standard locking device</li> <li>– Electric strike</li> <li>– External activator</li> </ul>	I	 <p>Adjustable hold-open time adjustable</p>
 <p><b>Permanent Open</b> This function is designed to keep the door permanently open. The door opens and is held in this position until another signal is triggered for example by the program switch (the locking device must be unlocked) or by a double-click on the hand-held transmitter (flip-flop-function).</p>		II	

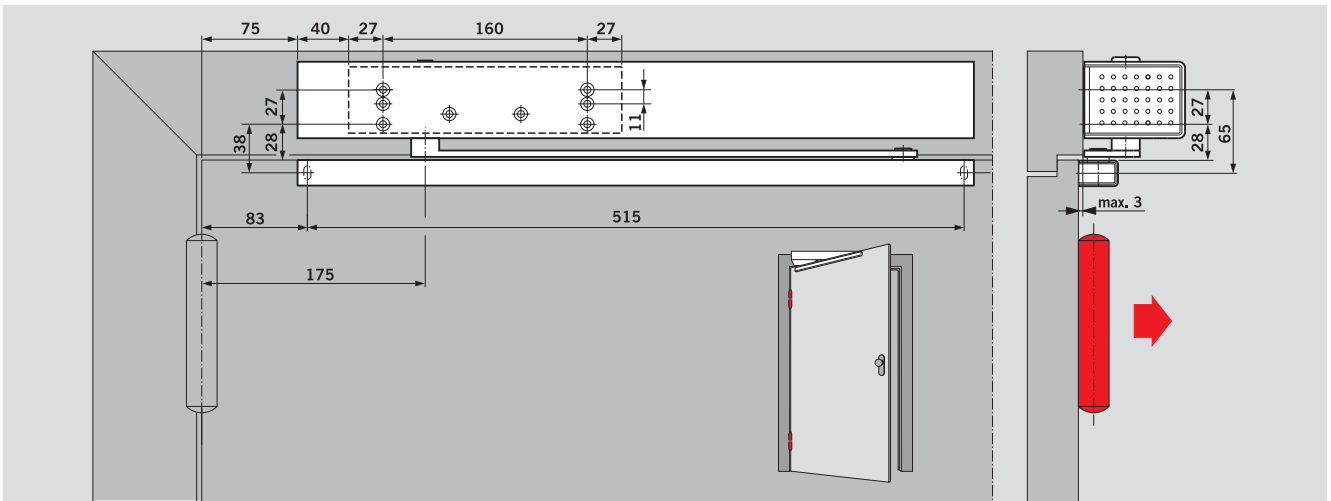
Program switch modes	Switch position	Function
	0	OFF
	I	PowerMotion
	II	Permanent Open

Mains switch must be "ON" to activate the different operating modes.

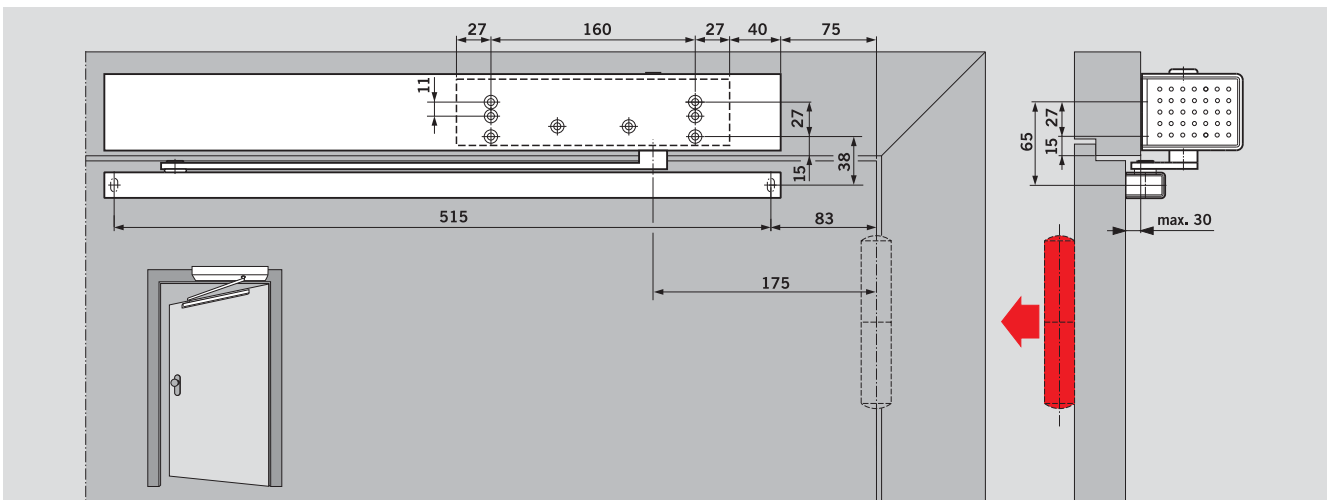
Max. permissible door widths and weights



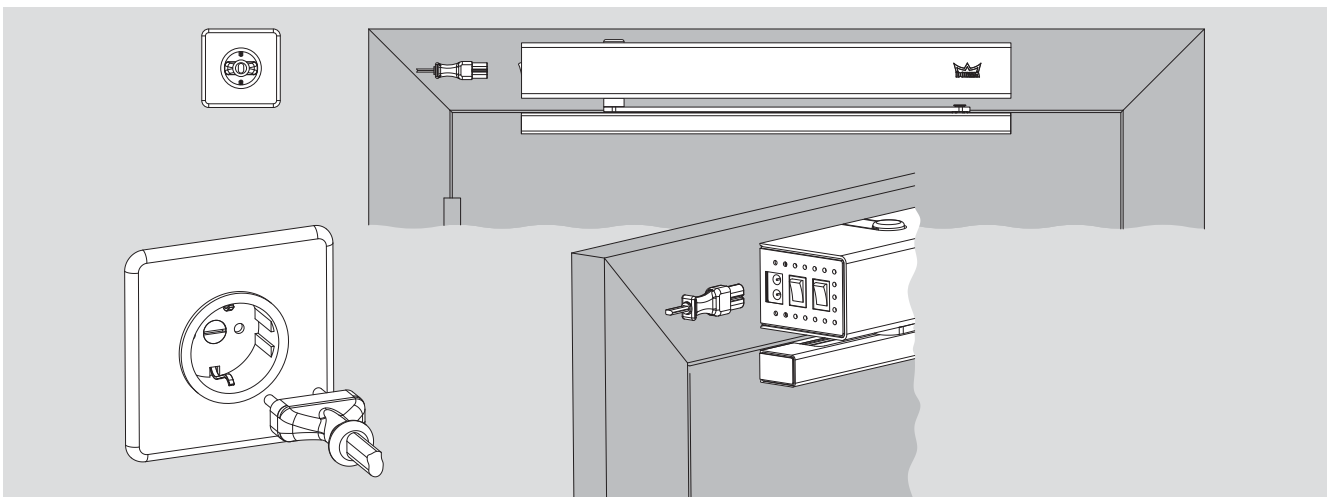
## LINTEL MOUNTING ON HINGE SIDE (Example refers to left-handed (ISO 6) door; mirror image applies to right-handed (ISO 5) door)



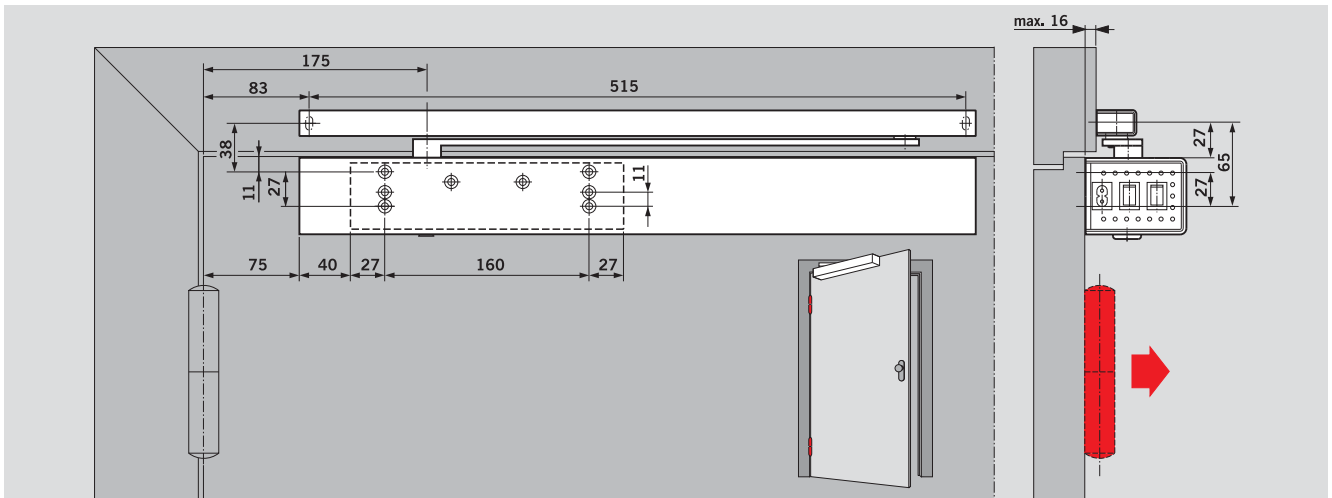
## LINTEL-MOUNTING ON OPPOSITE HINGE SIDE (Example refers to left-handed (ISO 6) door; mirror image applies to right-handed (ISO 5) door)



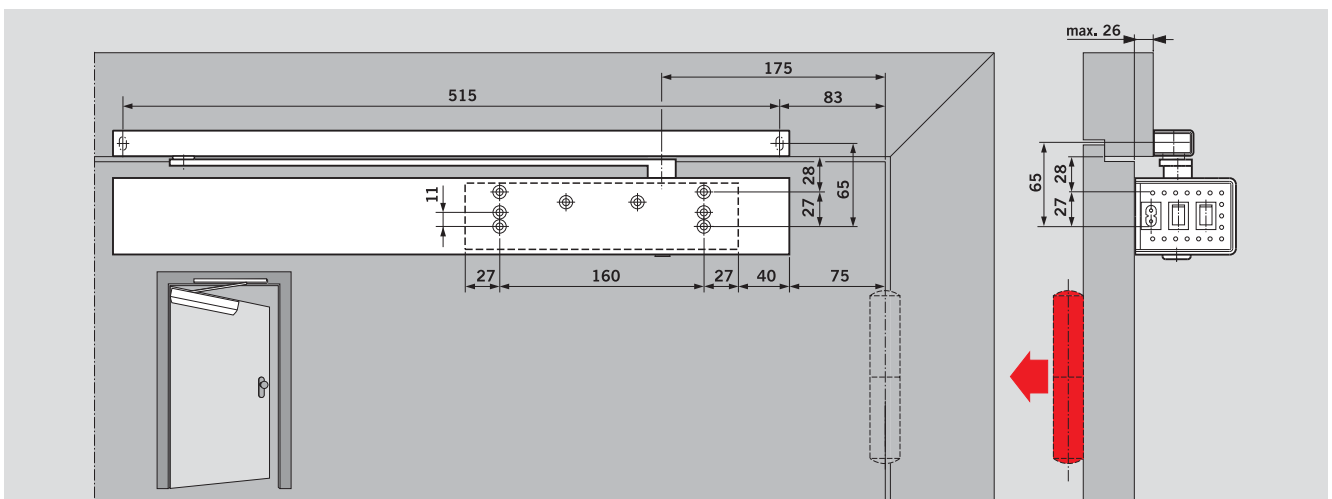
## PLUG & GO Mains connection via power plug (Example refers to left-handed (ISO 6) door; mirror image applies to right-handed (ISO 5) door)



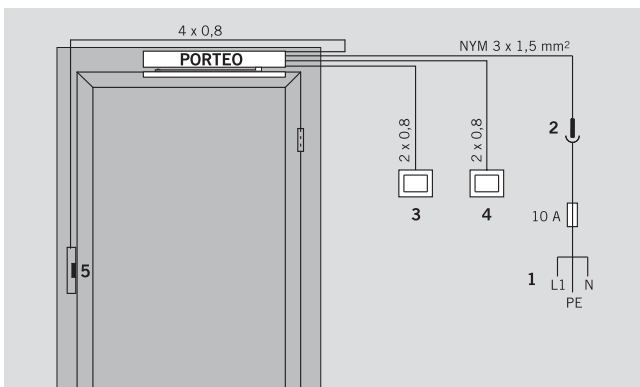
## DOOR-LEAF MOUNTING ON HINGE SIDE (Example refers to left-handed (ISO 6) door; mirror image applies to right-handed (ISO 5) door)



## DOOR-LEAF MOUNTING ON OPPOSITE HINGE SIDE (Example refers to left-handed (ISO 6) door; mirror image applies to right-handed (ISO 5) door)



Wiring diagram



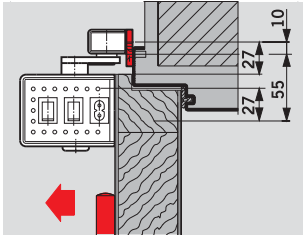
- 1 Permanent power supply line
- 2 Two-pole-and-earth socket
- 3 Internal pushbutton
- 4 External pushbutton
- 5 Electric strike

Type 500 flexible cable loop



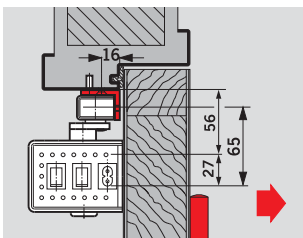
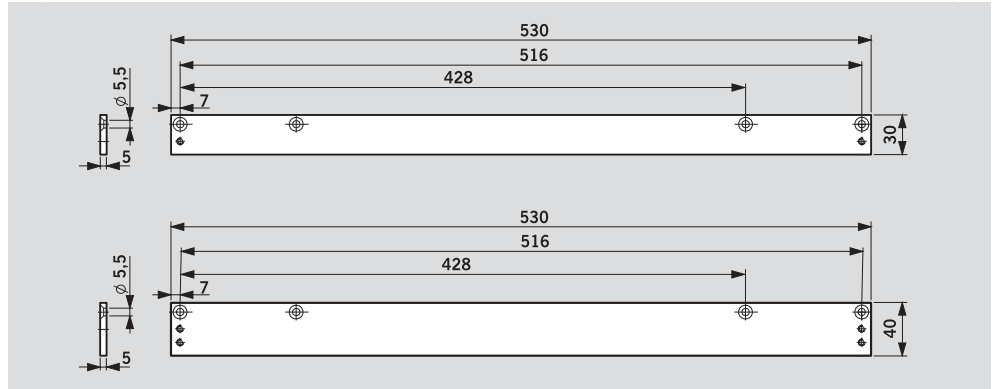
The safe and reliable solution from DORMA for protecting the cables required for door-leaf mounting.

# ACCESSORIES



**Mounting plate**  
30 mm or 40 mm

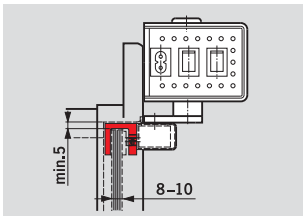
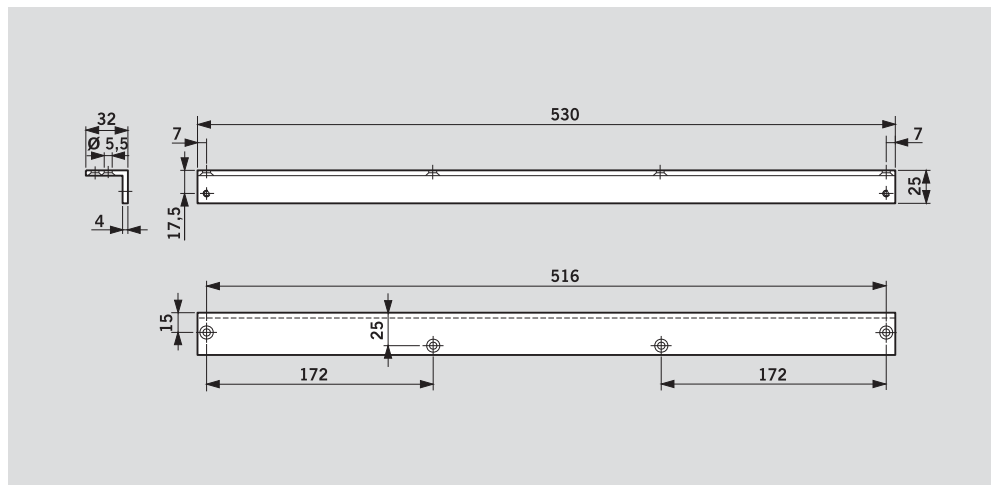
For mounting of slide channel at door frames where no direct installation is possible.



**Angle bracket**

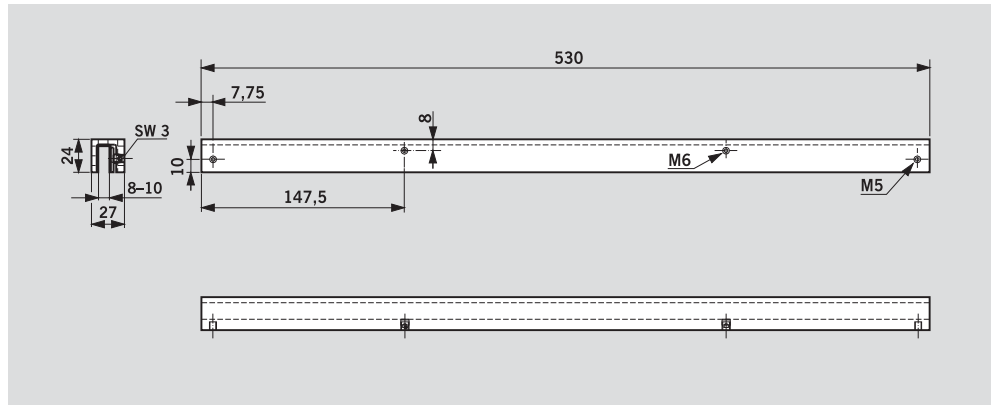
For mounting of slide channel at door frames with a deep lintel and mounting on the opposite hinge side.

For lintel depths from -20 to +200 mm with optional standard arm.



**Shoe clip**

For mounting the slide channel at full-glass doors – no glass machining necessary. Lintel mounting on the hinge side only.



**Optional activators, radio receivers, electric strikes**



Manual pushbutton,  
System 55



Radio hand-held transmitter  
DORMA atent



Radio receiver BRC-R



Electric strike  
type Basic

# STANDARD EQUIPMENT AND ACCESSORIES

<b>PORTEO 230 V</b> 	Angle bracket	Mounting plate 30 mm	Mounting plate 40 mm	Shoe clip	Flexible cable loop type 500	
	600410xx	600411xx	600412xx	600413xx	60041401	
	Electric strike					
fail-secure type Basic	fail-safe type Basic-Safe	Strike plate FLM 24	Pushbutton System 55	Radio hand-held transmitter DORMA atent	Radio receiver BRC-R	
600100xx	15117124	15137124	15180224	19144701170	60041500	29302002

xx	Colour
01	Silver-coloured
11	White (sim. to RAL 9016)
19	Black

## SPECIFICATION TEXT

Electro-mechanical door assistant operating in Low-Energy-Function (force limitation) to DIN 18650 and EN 16005, including slide channel and mounting plate, with CE marking, in DORMA Contur design. Operating options: Powerless mode (effortless opening, automatic closing) or PowerMotion (automatic opening and closing). Opening and closing speeds, hold-open time and opening angle adjustable. Latching action as standard. Non-handed. Mounting plate with universal fixing hole pattern. For lintel mounting or door-leaf mounting on the hinge or opposite hinge side.

### Door parameters

- Single-leaf interior doors, not suitable for fire and smoke doors
- Door-leaf widths: max. 1100 mm (depending on door weight)
- Door-leaf weight per leaf: max. 140 kg (depending on door width)
- Opening angle per door leaf: min. 100° for all ways of mounting
- Operator dimensions: 60 mm x 530 x 80 mm (H x W x D)
- Adjustable operating modes via program switch (0 | I | II): 0 = OFF, I = PowerMotion, II = Permanent Open

### Extended function programs:

- Powerless (adjustable via potentiometer)
- Push & Go (always activated in PowerMotion mode)
- Supply voltage: 230 V AC, 50/60 Hz, complete ready-to-connect system

### Version

- Complete package including slide channel and mounting plate suitable for all four ways of mounting

### Colour

- Silver-coloured
- White, sim. to RAL 9016
- Black

### Electric strike

- Option: electric strike in fail-secure design (locked while de-energised)
- Option: electric strike in fail-safe design (open while de-energised)

### Activator

- Option: pushbutton, Type:
- Option: hand-held transmitter, Type:
- Option: receiver for hand-held transmitter, Type:

Tested according to the guidelines for power-operated windows, doors and gates, BGR 232 (German Employer's Liability Insurance Association Rule), DIN 18650 and EN 16005-1/2 (German Industrial Standard), EMV (CE-mark), GS-mark (TÜV type-approval) and the German guidelines of the Association for Electrical, Electronic & Information Technologies, latest version in each case. Manufactured to ISO 9001.

### Make

DORMA PORTEO



DORMA India Private Limited  
14 Pattullous Road  
CHENNAI - 600 002  
INDIA  
Phone +91 44 2855 9192  
Fax +91 44 2858 5096  
[www.dorma.com/in](http://www.dorma.com/in)