

DORMA's ES72F Series is the answer for heavy-duty applications requiring fire-rated electric strikes.

The unique anti-vibration design of these commercial duty strikes prevents manipulation by vibration. For use with centerline mortise exit devices, cylindrical locks, or centerline mortise locks, the ES72F has earned its reputation as a durable, reliable, and economical means of controlling access.

DORMA Solutions

- 1500 lb (680 kg) holding force
- ANSI-size faceplate (1-1/4" x 4-7/8")
- Accommodates 3/4" latch projections (pullman design not included)
- Conventional keeper design—promotes even load distribution
- Enlarged latch cavity width allows compatibility with cylindrical and centerline mortise locks (including 3-piece anti-friction type) and mortise exit devices
- 1-1/2" cut-out depth accommodates most aluminum and hollow metal frames
- For use with wide range of door thicknesses (1-3/8" to 2-3/8")
- AC/DC input acceptable for all fail locked models.
- Non-handed
- Standard mounting tabs and fasteners included
- Unique anti-vibration design prevents manipulation
- Available in 12 V or 24 V
- 630 stainless steel finish

Listings & Approvals

- UL/CUL listed under their continuing reinspection programs and conforms to standards UL 1034 and CVXY for burglary resistant electric door strikes, UL10C GXAY for positive pressure fire testing, 3 hour rated
- ANSI/BHMA 156.31, Grade 1 pending
- CSFM pending
- Contributes to U.S. Green Building Council, LEED® MR Credits 2.1, 4.1, 4.2, and 5.1



Specifications	ES72F
Mode	Fail Secure
Voltage	12 VDC, 24 VDC or 12/24 VAC
Duty	Continuous or intermittent*
Sound	Silent or Buzz
Amps**	.07, .11, .15, or .20
Ohms†	61 or 215

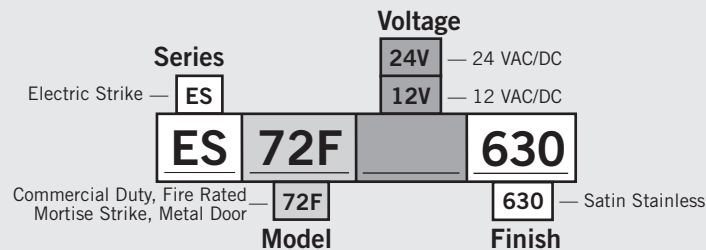
*Intermittent duty = energized less than 1 minute with duty ratio 1:5.
Continuous duty = energized 1 minute or more

**Ratings are based on maximum current draw at +10°C and include initial power-up current draw.

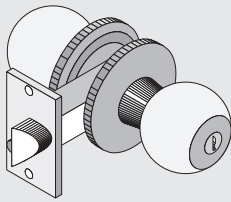
†Nominal resistance at +25°C ± 7% tolerance.

NOTE: Specifications are subject to change without notice.

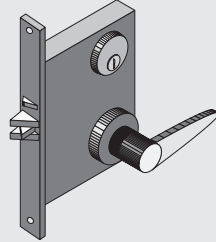
How to Order ES72F Series



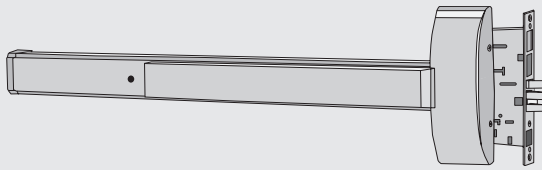
Door Lock Type



Cylindrical

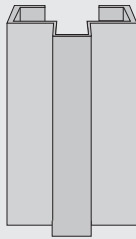


Mortise



Mortise Exit Device

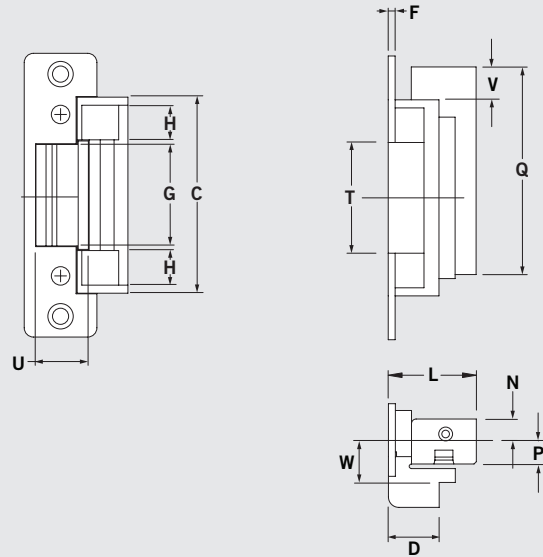
Door Frame Type



Hollow Metal



Aluminum



Dimensions	ES72F
C	3-3/8" (85.7 mm)
D	7/8" (22.2 mm)
F	1/8" (3.2 mm)
G	1-3/4" (44.5 mm)
H	9/16" (14.3 mm)
L	1-1/2" (38.1 mm)
N	13/32" (10.3 mm)
P	13/32" (10.3 mm)
Q	3-5/8" (92.1 mm)
T	1-7/8" (47.6 mm)
U	15/16" (23.8 mm)
V	17/32" (13.5 mm)
W	3/4" (19.1 mm)

DORMA also offers a complete line of Electromagnetic Locks, Electric Strikes, Door Controls, Power Supplies, Switches, Keypads & Readers, Exit Devices, Systems & Door Hardware.

DORMA Americas
www.dorma-usa.com

DORMA Architectural Hardware
DORMA Drive, Drawer AC
Reamstown, PA 17567-0411
Telephone: (800) 523-8483
Facsimile: (800) 274-9724
E-mail: archdw@dorma-usa.com

DORMA Canada
1680 Courtney Park Drive, Unit 13
Mississauga, Ontario L5T 1R4
Telephone: (800) 387-4938
Facsimile: (905) 670-5850
E-mail: sales@dormacanada.com

DORMA Mexico, S. de R.L. de C.V.
Astrónomos 28, Col. Escandón
México, D.F. 11800
Del. Miguel Hidalgo
Telephone: (52+55) 5272-6937
Facsimile: (52+55) 5272-6948
E-mail: operacion@dorma.com.mx