

DORMA ES62 rim electric strikes are completely surface mounted, eliminating frame cutting.

Designed especially to operate with rim exit devices, this rugged stainless steel strike accommodates hollow metal, aluminum, and wood doors.

The one piece conventional keeper design promotes even load distribution in the event of attempted forced entry. The heavy-duty housing of the ES62 is reinforced to eliminate twisting in the case of imperfect frames. The smooth radiused corners are esthetically pleasing, while reducing personal injury due to catch hazards.

DORMA Solutions

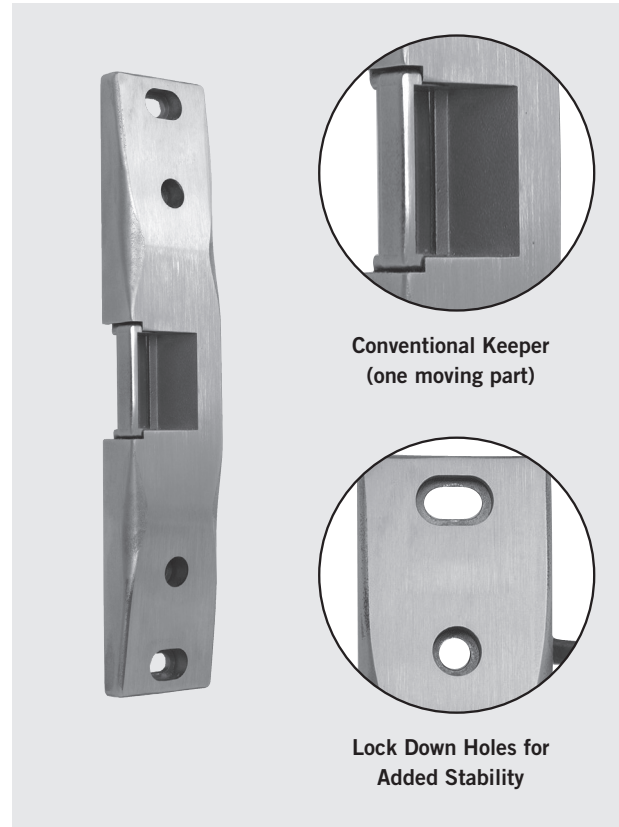
- 1500 lb (680 kg) holding force
- No frame cutting required—surface mounted
- Conventional keeper design—promotes even load distribution
- Higher grade stainless steel ensures superior keeper strength
- Compatible with most exit devices
- Accommodates exit devices with latch projections from 1/2" to 3/4" (12.7 mm to 19.1 mm)
- Ensures proper latch alignment with horizontal adjustment up to 1/4" (6.4 mm) to compensate for door misalignments
- Field selectable voltage input—12 or 24 VDC, 12 to 24 VAC, 11 to 16 VAC
- Horizontal solenoid prevents manipulation from the vibration
- Modular **plug-in** wire connectors for fast hook-up
- 630 stainless steel finish
- Non-handed
- Allen head cap screws for added support and tamper-resistance
- Mounting spacer include to provide enhance to latch engagement

Listings & Approvals

- UL/CUL listed under their continuing reinspection programs and conforms to standards UL 1034 and CVXY for burglary resistant electric door strikes
- ANSI/BHMA 156.31, Grade 1 pending
- CSFM pending
- Contributes to U.S. Green Building Council, LEED® MR Credits 2.1, 4.1, 4.2, and 5.1

Options & Accessories

- **62DPH**—Double door housing
- **MSK62**—Mounting spacer kit 1/16" (1.5 mm) (Additional spacer included)

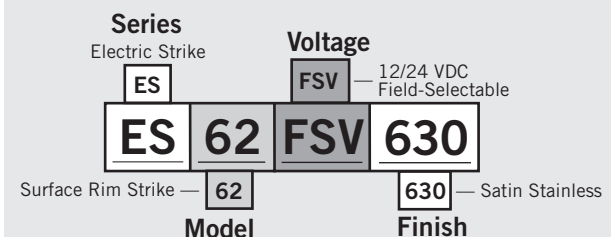


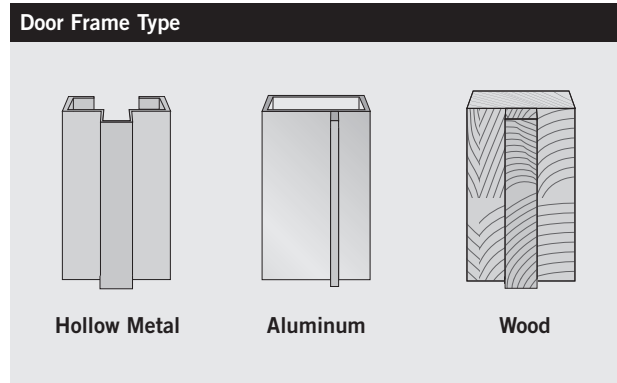
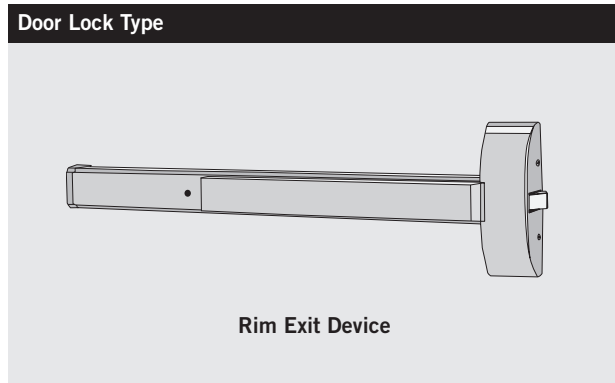
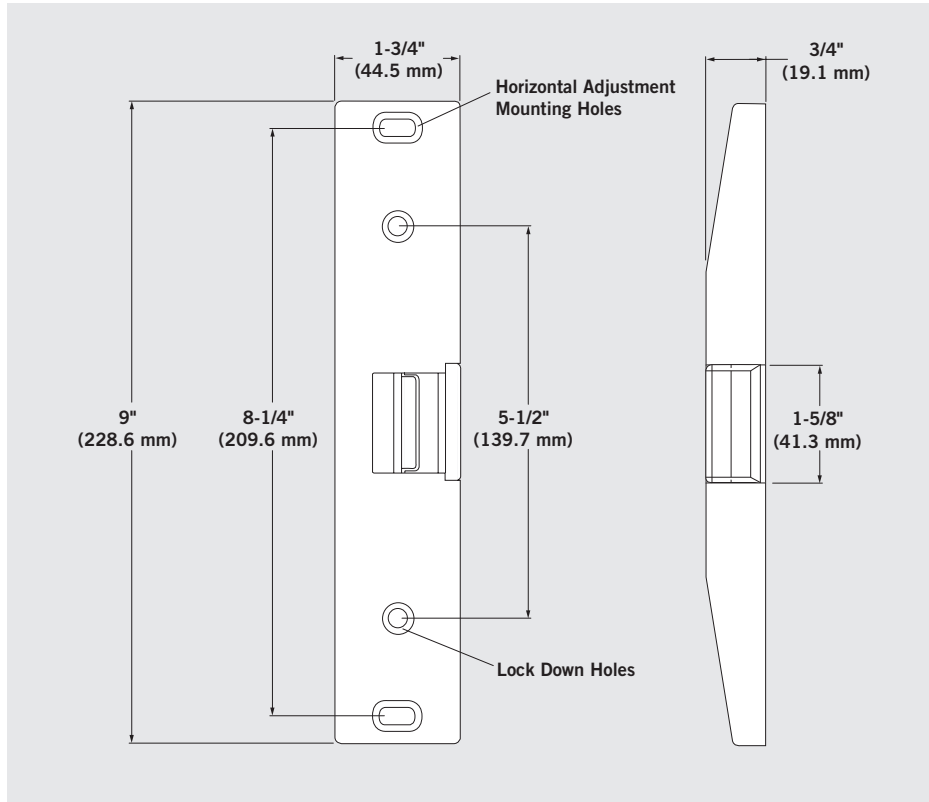
| Specifications | ES62 |
|--------------------------|--|
| Mode | Fail Secure |
| Voltage Field Selectable | 12 VDC, 24 VDC, 12/24 VAC or 11/16 VAC |
| Duty | Continuous or intermittent* |
| Sound | Silent or Buzz |
| Amps | .24, .30, .35, .50 or .64 |
| Ohms | 22 or 89 |

*Intermittent duty = energized less than 1 minute with duty ratio 1:5.
 Continuous duty = energized 1 minute or more

NOTE: Specifications are subject to change without notice.

How to Order ES62 Series





DORMA also offers a complete line of Electromagnetic Locks, Electric Strikes, Door Controls, Power Supplies, Switches, Keypads & Readers, Exit Devices, Systems & Door Hardware.

DORMA Americas
www.dorma-usa.com

DORMA Architectural Hardware
DORMA Drive, Drawer AC
Reamstown, PA 17567-0411
Telephone: (800) 523-8483
Facsimile: (800) 274-9724
E-mail: archdw@dorma-usa.com

DORMA Canada
1680 Courtney Park Drive, Unit 13
Mississauga, Ontario L5T 1R4
Telephone: (800) 387-4938
Facsimile: (905) 670-5850
E-mail: sales@dormacanada.com

DORMA Mexico, S. de R.L. de C.V.
Astrónomos 28, Col. Escandón
México, D.F. 11800
Del. Miguel Hidalgo
Telephone: (52+55) 5272-6937
Facsimile: (52+55) 5272-6948
E-mail: operacion@dorma.com.mx