

# DORMA EML371 & EML372 SURFACE MINI ELECTROMAGNETIC LOCKS

## Low profile for interior traffic control.

These small electromagnetic locks install perfectly alongside most automatic door operators or stop-mounted door hardware, reducing installation time and eliminating the need for extra brackets. The 1-7/8" width helps keep undersized openings within code. This is the ideal magnet for use on narrow-style aluminum doors.

The EML372 version is especially useful on pairs of doors without mullions.

## DORMA Solutions

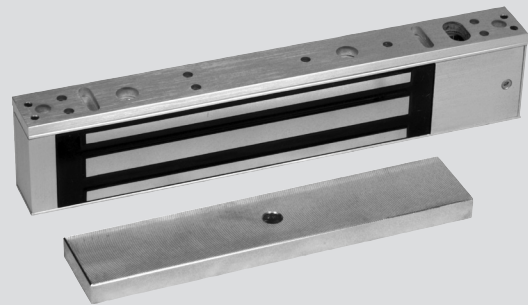
- Up to 750 lb (340 kg) holding force
- Larger LED size for better visibility (BA DP version only)
- Low energy consumption
- Field selectable voltage – 12/24 VDC
- Stabilizing 4 bolt mounting (8-bolt for EML372)
- Adjustable keyhole mounting
- MOV surge protection
- No residual magnetism
- Easy-access wiring cavity
- Hardened steel armature nut
- 628 brushed anodized aluminum lock body

**NOTE:** When installed on access-controlled egress door assemblies, per NFPA101, must use Push to Exit labeled manual release device. DORMA push-button models PBEP, PB72, or PB73 are recommended.

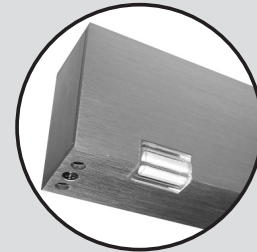
## Listings & Approvals

- UL/CUL listed under their continuing reinspection programs and conforms to standards UL 10C and GWXT positive pressure fire testing, 3 hour fire rated
- ANSI/BHMA 156.23, Grade 1 pending
- CSFM pending
- Contributes to U.S. Green Building Council, LEED® MR Credits 2.1, 4.1, 4.2, and 5.1

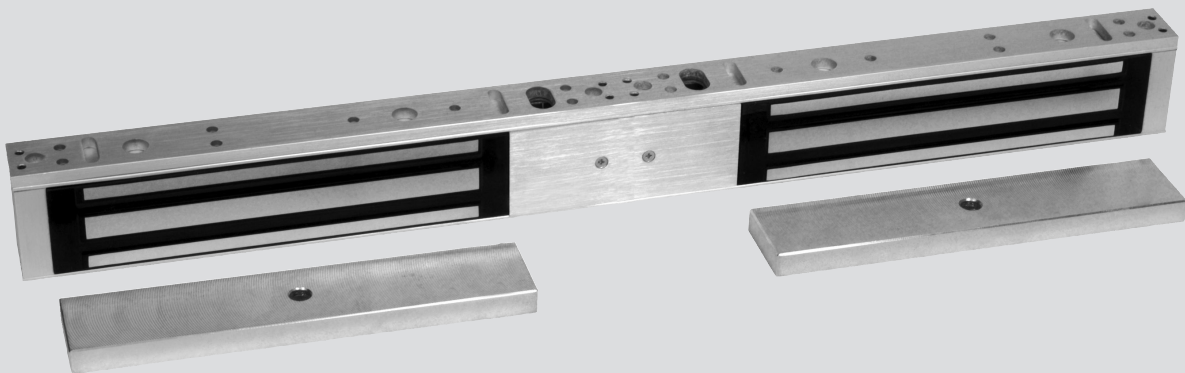
EML371 Single Outswinging Interior Doors



Larger LED Size for Better Visibility (Bond Alert versions only)



EML372 Double Outswinging Interior Doors without Mullion





Specifications	EML371	EML372
Housing Dimensions	1" D × 1-7/8" W × 9-3/8" L (25.4 mm × 47.6 mm × 238.1 mm) (including 3/16" (4.8 mm) mounting bracket)	1" D × 1-7/8" W × 18-3/4" L (25.4 mm × 47.6 mm × 476.3 mm) (including 3/16" (4.8 mm) mounting bracket)
Armature Plate Dimensions	7/16" D × 1-1/2" W × 7-1/4" L (11.1 mm × 38.1 mm × 184.2 mm)	7/16" D × 1-1/2" W × 7-1/4" L (11.1 mm × 38.1 mm × 184.2 mm)
Voltage	Field selectable 12/24 VDC Tolerance ±10%	Field selectable 12/24 VDC Tolerance ±10%
Power/Current Requirements	Max 0.52 A at 12 VDC Max 0.26 A at 24 VDC	Max 0.52 A at 12 VDC (each lock) Max 0.26 A at 24 VDC (each lock)
Holding Force	One-point locking (750 lb)	Two-point locking (750 lb each point)
Output Relays	BA (with LED)—SPDT 1.0 A @ 24 VDC DP—SPDT 0.20 A @ 12 VDC and 0.12 A @ 24 VDC	BA (with LED)—SPDT 1.0 A @ 24 VDC (each lock) DP—SPDT 0.20 A @ 12 VDC and 0.12 A @ 24 VDC (each lock)
Wiring Requirements	2 wires—power input; up to 5 wires output	2 or 4 wires—power input; up to 5 or 10 wires output
Operating Temperature	14 to 140° F (-10 to 60° C)	14 to 140° F (-10 to 60° C)

**NOTE:** DORMA recommends frame reinforcement and our filtered, regulated DC voltage PS53 Series power supplies.

Function	Description
Door Position Sensor (DP)	Ceramic magnet-reed type sensor for remote indication of door status (opened or closed, independent of local power); magnet embedded in armature for tamper resistance; reed switch inside electronic housing cavity for easy access.
LED Indicator	Included with BA options, the LED gives a local indication of lock status: red—unsecured; green—secured.

**Finish<sup>1</sup>**

**Plated**

- Brass: 605 (Bright) or 606 (Satin)
- Bronze: 613 (Oxidized Satin)
- Chrome: 625 (Bright) or 626 (Satin)

**Painted**

- Bronze: 691 (Dull)
- Black: 693
- Gold: 696 (Satin)

1. Lock body supplied in 628. All other finishes supplied as a cover.

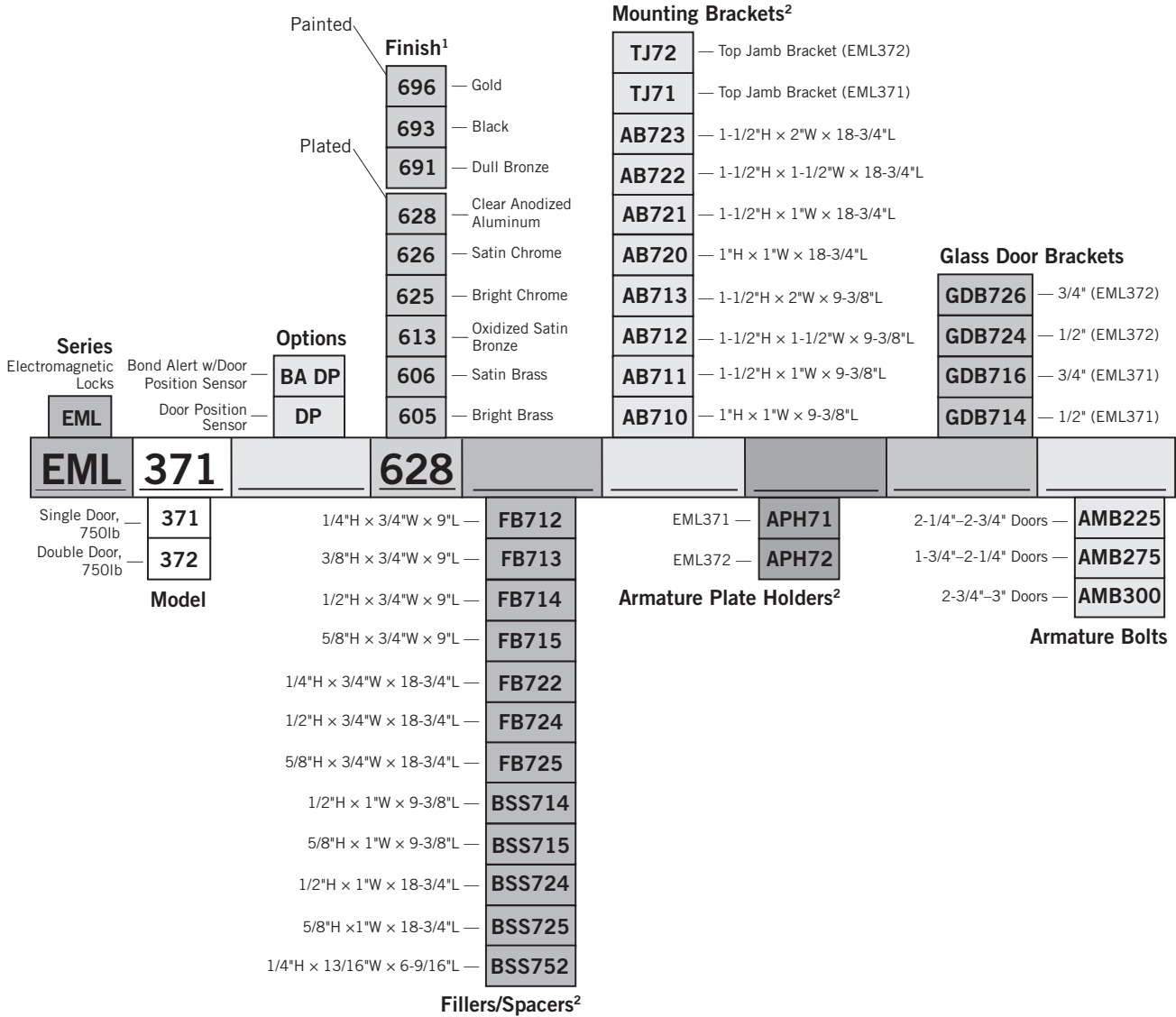
**Optional Mounting Accessories**

- Angle brackets
- Armature plate holders
- Filler bars
- Glass door brackets
- Spacers
- Top Jamb Z bracket kits for inswinging doors
- Magnet housing cover wraps—**MCW371 or MCW372** (specify finish)

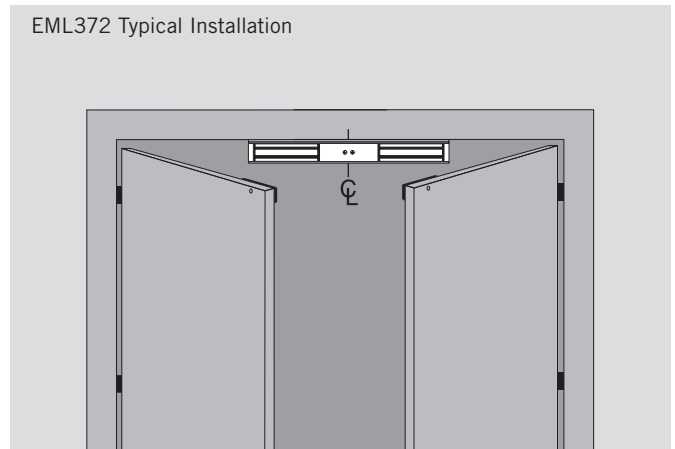
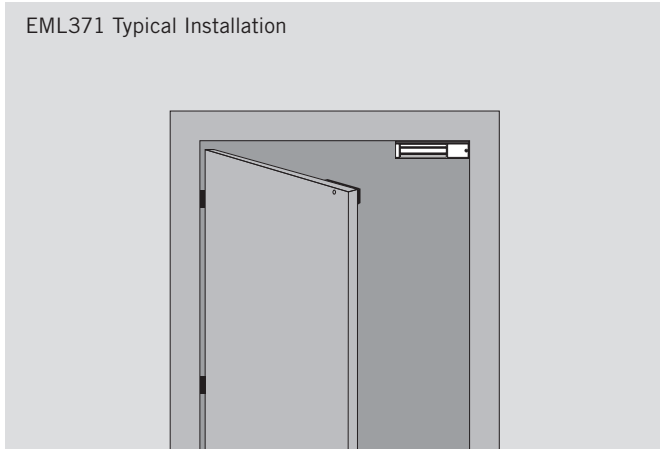
**Options**

- DP**—Door position sensor (retrofit kits available)
- BA DP**—Bond alert/door position sensor combination

# HOW TO ORDER EML371/EML372 SERIES



1. Lock body supplied in 628. All other finishes supplied as a cover.
2. Specify 628 or 695 finish, except BSS752 available in 628 only.



**NOTE:** A minimum distance of 1-5/8" (41.3 mm) is required without the need of a mounting accessory. Should you require a mounting accessory please see our literature or contact Customer Service.

DORMA also offers a complete line of Electromagnetic Locks, Electric Strikes, Door Controls, Power Supplies, Switches, Keypads & Readers, Exit Devices, Systems & Door Hardware.

[www.dorma.com](http://www.dorma.com)



DORMA USA, Inc.  
Dorma Drive, Drawer AC  
Reamstown, PA 17567  
Tel: 800 523 8483  
Fax: 800 274 9724  
[archdw@dorma-usa.com](mailto:archdw@dorma-usa.com)

DORMA Canada  
1680 Courtney Park Drive, Unit 13  
Mississauga, Ontario L5T 1R4  
Tel: 800 387 4938  
Fax: 905 670 5850  
[www.dormacanada.com](http://www.dormacanada.com)

DORMA Mexico  
Calle Sur 110 no. 63, Col. Tlalteca  
01150 México, D.F.  
Tel: 5255 5272 6937  
Fax: 5255 5272 6948  
[operacion@dorma.com.mx](mailto:operacion@dorma.com.mx)