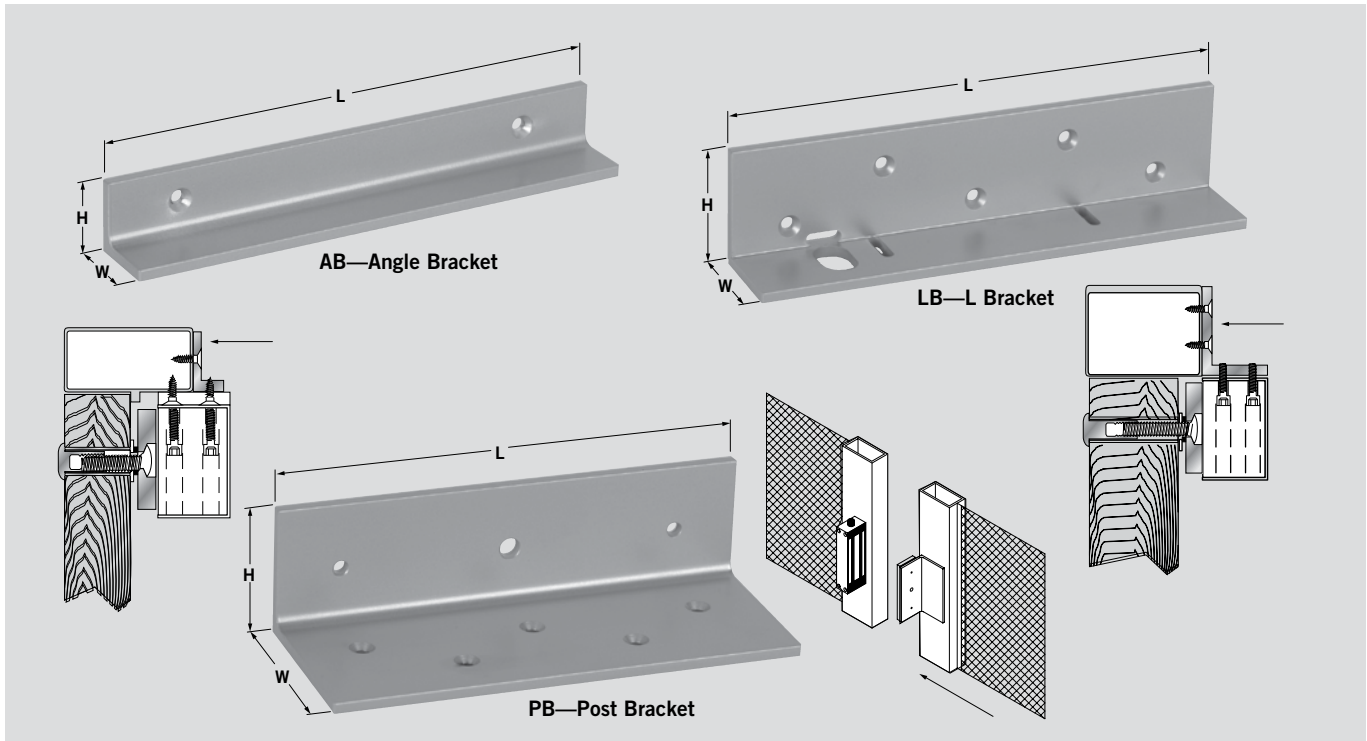
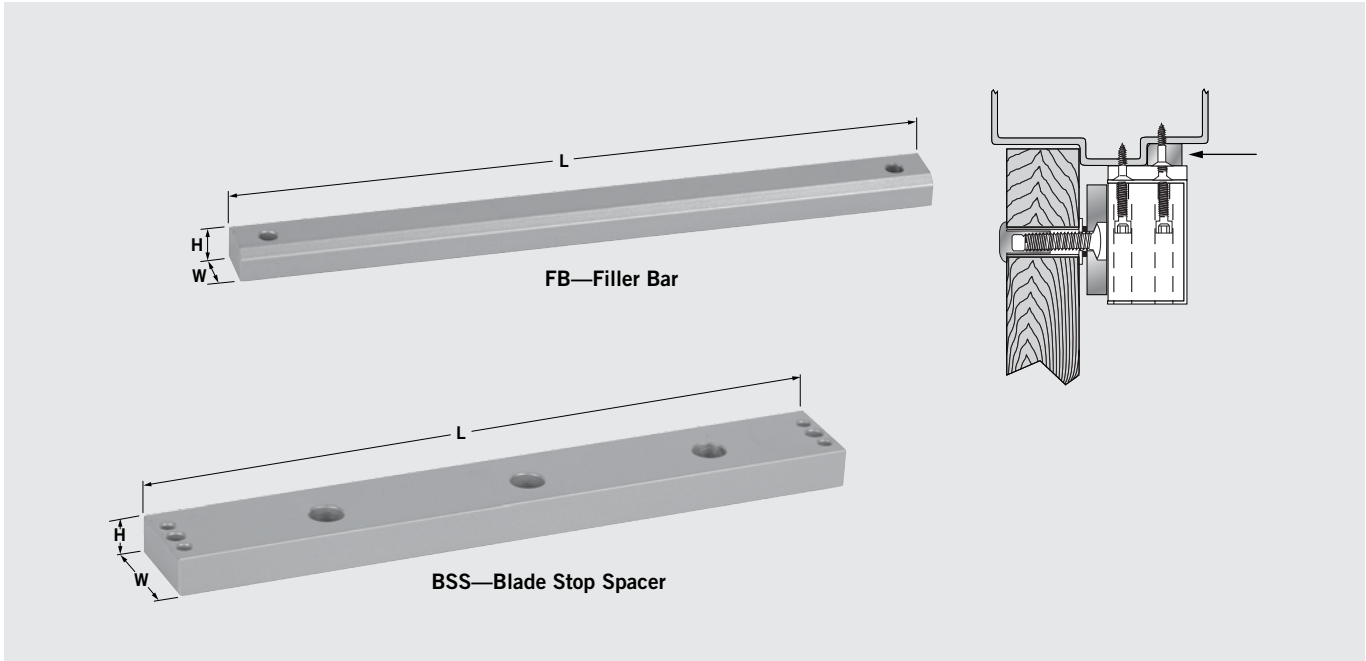


DORMA SOLUTIONS

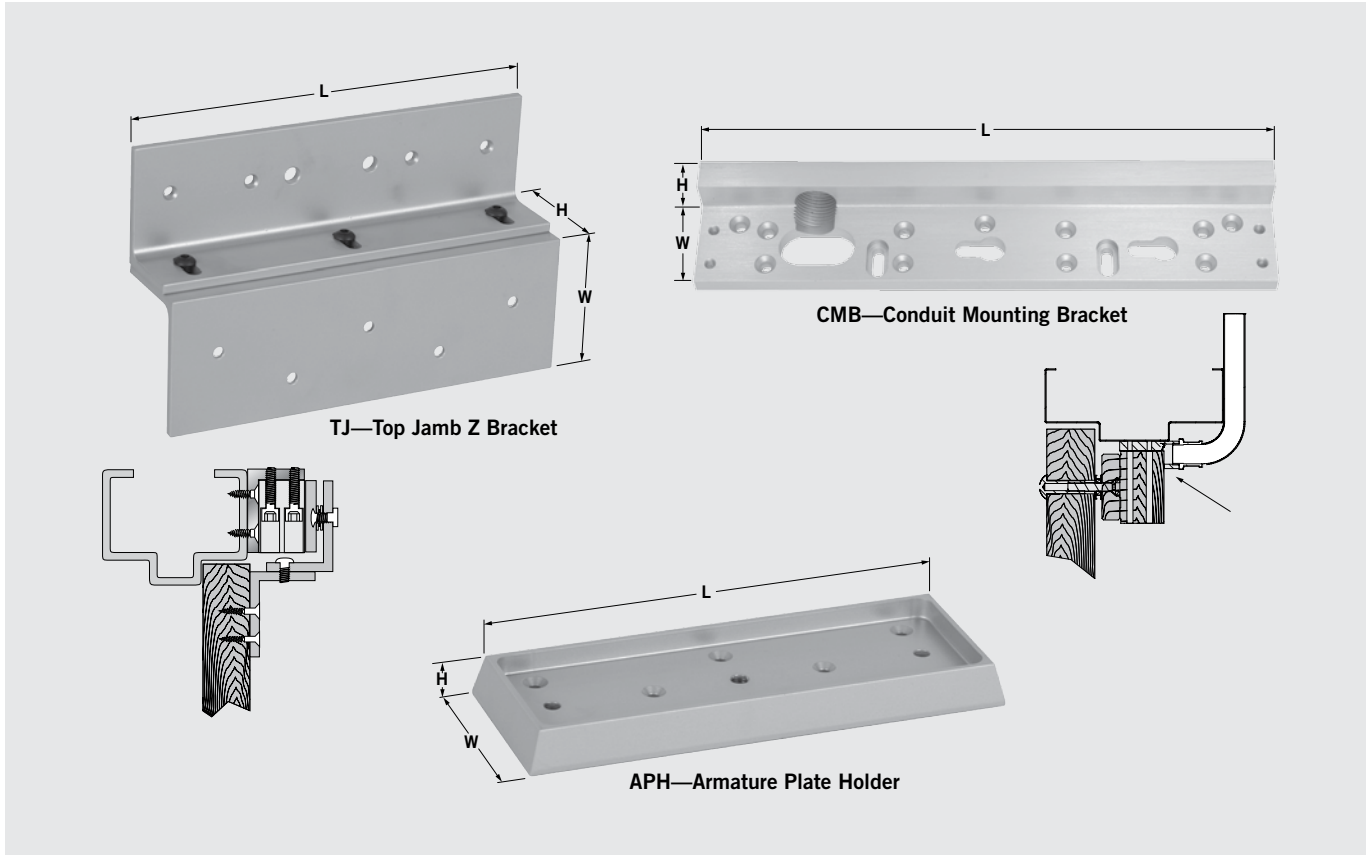
Offering a full line of mounting hardware and accessories designed to solve even your most challenging electromagnetic installation challenges.



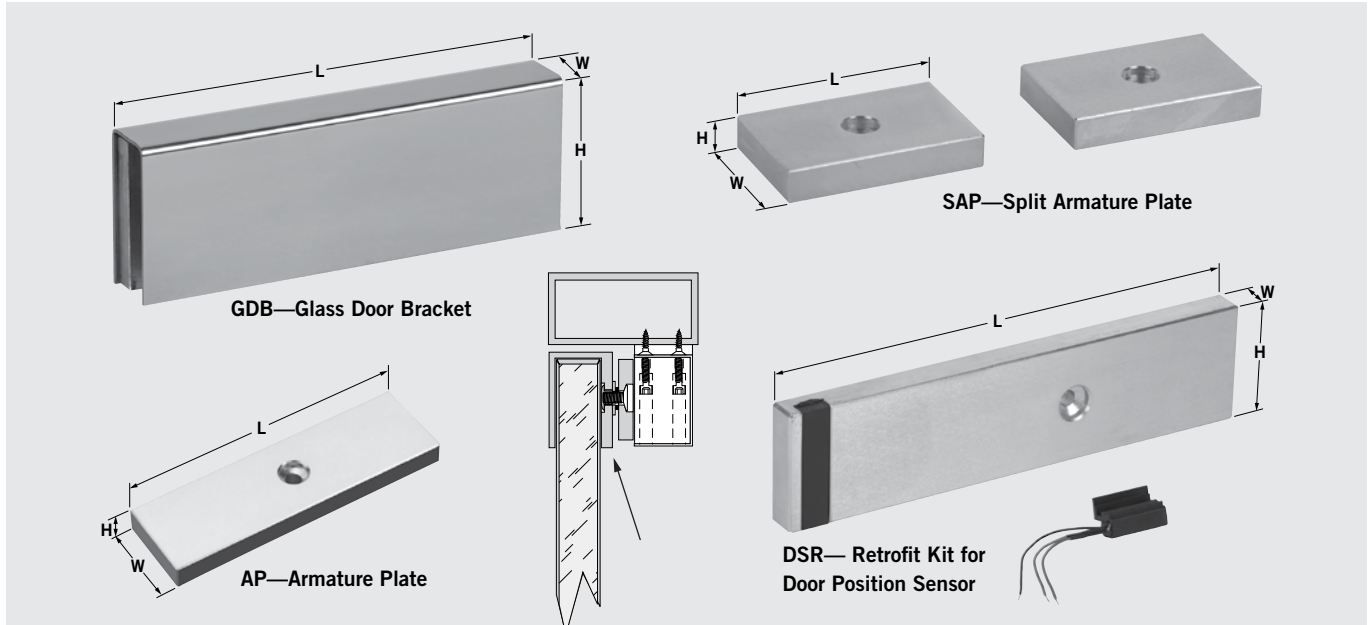
Option Code	Description/Dimensions	Applicable Models	Available Finish (specify)
Angle Brackets			
Required for narrow header or center-hung single-acting doors, when inadequate space is left for mounting. Ideal for narrow aluminum frames.			
AB11	1" H x 1" W x 10-1/2" L (25.4 mm x 25.4 mm x 267 mm)	EML310	628, 695
AB12	1-1/2" H x 1" W x 10-1/2" L (38 mm x 25.4 mm x 267 mm)	EML310	628, 695
AB13	1-1/2" H x 1-1/2" W x 10-1/2" L (38 mm x 38 mm x 267 mm)	EML310	628, 695
AB20	1" H x 1" W x 21" L (25.4 mm x 25.4 mm x 533 mm)	EML320	628, 695
AB21	1-1/2" H x 1" W x 21" L (38 mm x 25.4 mm x 533 mm)	EML320	628, 695
AB22	1-1/2" H x 1-1/2" W x 22" L (38 mm x 38 mm x 533 mm)	EML320	628, 695
AB710	1" H x 1" W x 9-3/8" L (25.4 mm x 25.4 mm x 238 mm)	EML371	628, 695
AB711	1-1/2" H x 1" W x 9-3/8" L (38 mm x 25.4 mm x 238 mm)	EML371	628, 695
AB712	1-1/2" H x 1-1/2" W x 9-3/8" L (38 mm x 38 mm x 238 mm)	EML371	628, 695
AB713	1-1/2" H x 2" W x 9-3/8" L (38 mm x 51 mm x 238 mm)	EML371	628, 695
AB720	1" H x 1" W x 18-3/4" L (25.4 mm x 25.4 mm x 476 mm)	EML372	628, 695
AB721	1-1/2" H x 1" W x 18-3/4" L (38 mm x 25.4 mm x 476 mm)	EML372	628, 695
AB722	1-1/2" H x 1-1/2" W x 18-3/4" L (38 mm x 38 mm x 476 mm)	EML372	628, 695
AB723	1-1/2" H x 2" W x 18-3/4" L (38 mm x 51 mm x 476 mm)	EML372	628, 695
L Brackets			
Required when there is no space left on the header to mount the magnetic lock. Magnet mounts on bracket and bracket mounts on vertical face of head frame.			
LB10	2-1/2" H x 2" W x 10-1/2" L (63.5 mm x 51 mm x 267 mm)	EML310	628, 695
LB20	2-1/2" H x 2" W x 21" L (63.5 mm x 51 mm x 533 mm)	EML320	628, 695
Post Bracket			
Used to mount armature plate to sliding gate.			
PB80	3-1/2" H x 2-1/2" W x 8-7/8" L (89 mm x 51 mm x 225.5 mm)	EMLSG380	628, 695



Option Code	Description/Dimensions	Applicable Models	Available Finish (specify)
Filler Bars Required when frame stop is narrower than 2" (50.8).			
FB11	1/8" H x 3/4" W x 10-1/2" L (3.2 mm x 19 mm x 267 mm)	EML310	628
FB12	1/4" H x 3/4" W x 10-1/2" L (6.4 mm x 19 mm x 267 mm)	EML310	628, 695
FB14	1/2" H x 3/4" W x 10-1/2" L (12.7 mm x 19 mm x 267 mm)	EML310	628, 695
FB14N	1/2" H x 5/8" W x 10-1/2" L (12.7 mm x 15.9 mm x 267 mm)	EML310	628, 695
FB15	5/8" H x 3/4" W x 10-1/2" L (15.9 mm x 19 mm x 267 mm)	EML310	628, 695
FB21	1/8" H x 3/4" W x 21" L (3.2 mm x 19 mm x 533 mm)	EML320	628, 695
FB22	1/4" H x 3/4" W x 21" L (6.4 mm x 19 mm x 533 mm)	EML320	628, 695
FB24	1/2" H x 3/4" W x 21" L (12.7 mm x 15.9 mm x 533 mm)	EML320	628, 695
FB24N	1/2" H x 5/8" W x 21" L (12.7 mm x 15.9 mm x 533 mm)	EML320	628, 695
FB25	5/8" H x 3/4" W x 21" L (15.9 mm x 19 mm x 533 mm)	EML320	628, 695
FB712	1/4" H x 3/4" W x 9-3/8" L (6.4 mm x 19 mm x 238 mm)	EML371	628, 695
FB713	3/8" H x 3/4" W x 9" L (9.5 mm x 19 mm x 229 mm)	EML371	628, 695
FB714	1/2" H x 3/4" W x 9-3/8" L (12.7 mm x 19 mm x 238 mm)	EML371	628, 695
FB715	5/8" H x 3/4" W x 9-3/8" L (15.9 mm x 19 mm x 238 mm)	EML371	628, 695
FB722	1/4" H x 3/4" W x 18-3/4" L (6.4 mm x 19 mm x 476 mm)	EML372	628, 695
FB724	1/2" H x 3/4" W x 18-3/4" L (12.7 mm x 19 mm x 476 mm)	EML372	628, 695
FB725	5/8" H x 3/4" W x 18-3/4" L (15.9 mm x 19 mm x 476 mm)	EML372	628, 695
Blade Stop Spacers Mounting plate spacers are used to lower the magnet in order to align correctly with armature plate.			
BSS14	1/2" H x 1-1/2" W x 10-1/2" L (12.7 mm x 38 mm x 267 mm)	EML310	628, 695
BSS15	5/8" H x 1-1/2" W x 10-1/2" L (15.9 mm x 38 mm x 267 mm)	EML310	628, 695
BSS24	1/2" H x 1-1/2" W x 21" L (12.7 mm x 38 mm x 533 mm)	EML320	628, 695
BSS25	5/8" H x 1-1/2" W x 21" L (15.9 mm x 38 mm x 533 mm)	EML320	628, 695
BSS714	1/2" H x 1" W x 9-3/8" L (12.7 mm x 38 mm x 238 mm)	EML371	628, 695
BSS715	5/8" H x 1" W x 9-3/8" L (15.9 mm x 38 mm x 238 mm)	EML371	628, 695
BSS724	1/2" H x 1" W x 18-3/4" L (12.7 mm x 38 mm x 238 mm)	EML372	628, 695
BSS725	5/8" H x 1" W x 18-3/4" L (15.9 mm x 38 mm x 238 mm)	EML372	628, 695



Option Code	Description/Dimensions	Applicable Models	Available Finish (specify)
Top Jamb Z Brackets	Required for inswinging doors. Magnet mounts on vertical face of head frame and bracket mounts to door face. Bracket allows horizontal adjustment of armature plate. Mounted on pull side of door.		
TJ10	Top Jamb Bracket	EML310	628
TJ20	Top Jamb Double Bracket	EML320	628
TJ71	Top Jamb Bracket	EML371	628
TJ72	Top Jamb Double Bracket	EML372	628
TJ75	Top Jamb Bracket	EML375	628
TJ80	Top Jamb Bracket	EMLSG380	628
Conduit Mounting Bracket	Used anywhere surface mounted conduit is required to run wires to the face of the magnetic lock.		
CMB10	1" D x 2-11/64" H x 10-9/16" L (25.4 mm x 68.3 mm x 268.3 mm)	EML310	628
Armature Plate Holders	The armature plate holder is used when the door cannot accommodate armature according to the standard mounting hardware procedures. The holder mounts on the face of the door and the armature plate is fastened to holder. Available for standard armature and DSR armatures.		
APH10	Armature Plate Holder	EML310, EML330, EML340	628, 695
APH15	Armature Plate Holder for DP Option	EML310, EML330, EML340	628, 695
APH20	Armature Plate Holder	EML320	628, 695
APH25	Armature Plate Holder for DP Option	EML320	628, 695
APH71	Armature Plate Holder	EML371	628, 695
APH72	Armature Plate Holder	EML372	628, 695
APH75	Armature Plate Holder	EML375	628, 695



Option Code	Description/Dimensions	Applicable Models	Available Finish (specify)
Glass Door Brackets			
Required for glass doors without mounting rails. Comes complete with rubber shim to protect glass. Specify 1/2" or 3/4" (12.7 mm or 19.1 mm) for glass thickness.			
GDB14	1/2" (12.7 mm) Thick Glass Door	EML310	629
GDB16	3/4" (19.1 mm) Thick Glass Door	EML310, EML330, EML340	629
GDB24	1/2" (12.7 mm) Thick Glass Door	EML320	629
GDB26	3/4" (19.1 mm) Thick Glass Door	EML320	629
GDB714	1/2" (12.7 mm) Thick Glass Door	EML371	629
GDB716	3/4" (19.1 mm) Thick Glass Door	EML371	629
GDB724	1/2" (12.7 mm) Thick Glass Door	EML372	629
GDB726	3/4" (19.1 mm) Thick Glass Door	EML372	629
GDB754	1/2" (12.7 mm) Thick Glass Door	EML375	629
GDB759	3/4" (19.1 mm) Thick Glass Door	EML375	629
Split Armature Plate			
Allows use of EML310 single magnet with pair of doors. Cannot be used with sensor options. NOTE: Holding force is reduced when split armature is used.			
SAP	5/8" (15.9 mm) Thick, includes Mounting Hardware	EML310	628
Armature Plates			
NOTE: For double magnets order two armature plates. Required for narrow header or center-hung single-acting doors, when inadequate space is left for mounting. Ideal for narrow aluminum frames.			
AP02	5/8" (15.9 mm) Thick	EML310, EML320, EML330, EML340	628
AP03	3/8" (9.5 mm) Thick	EMLSG360, EML371, EML372	628
AP04	5/16" (7.9 mm) Thick	EMLSG365, EML375	628
AP21	5/8" (15.9 mm) Thick, for DP Option	EML310, EML320, EML330, EML340	628
Door Position Sensor Retrofit Kit			
If a door status sensor is desired after magnet has been installed, it can easily be added on site. Includes a reed switch and a corrosion-free ceramic magnet embedded in the armature plate for tamper resistance.			
DSR15	Kit for single doors	EML310, EML330, EML340	628
DSR25	Kit for double doors	EML320	628

DORMA also offers a complete line of Electromagnetic Locks, Electric Strikes, Door Controls, Power Supplies, Switches, Keypads & Readers, Exit Devices, Systems & Door Hardware.

DORMA Americas
www.dorma-usa.com

DORMA
DORMA Drive, Drawer AC
Reamstown, PA 17567-0411
Tel: (800) 523-8483
Fax: (800) 274-9724
archdw@dorma-usa.com

DORMA Canada
1680 Courtney Park Drive, Unit 13
Mississauga, Ontario L5T 1R4
Tel: (800) 387-4938
Fax: (905) 670-5850
sales@dormacanada.com

DORMA Mexico, S. de R.L. de C.V.
Calle Sur 110, no. 63, Col. Tolteca
01150 México, D.F.
Tel: (52+55) 5272-6937
Fax: (52+55) 5272-6948
operacion@dorma.com.mx