

# DORMA EML330 & EML340 ELECTROMAGNETIC LOCKS

### Featuring the versatility of on-site length modifications.

Designed to enhance the aesthetics of the installation, these locks provide a finished look as well as solid security for the end user.

A unique feature of these models is that their length can be field modified, using special end caps (included).

To achieve two-point locking for higher security applications, two EML330 or EML340 locks are mounted vertically. For pairs of doors, one right-handed and one left-handed model can be mounted horizontally.

### Listings & Approvals

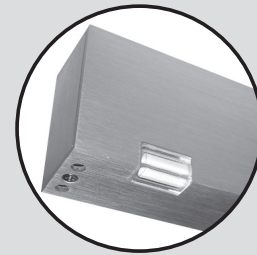
- UL/CUL listed under their continuing reinspection programs and conforms to standards UL 10C and GWXT positive pressure fire testing, 1 hour fire rated
- ANSI/BHMA 156.23, Grade 1 pending
- CSFM pending
- Contributes to U.S. Green Building Council, LEED® MR Credits 2.1, 4.1, 4.2, and 5.1

**NOTE:** When installed on access-controlled egress door assemblies, per NFPA101, must use Push to Exit labeled manual release device. DORMA push-button models PBEP, PB72, or PB73 are recommended.

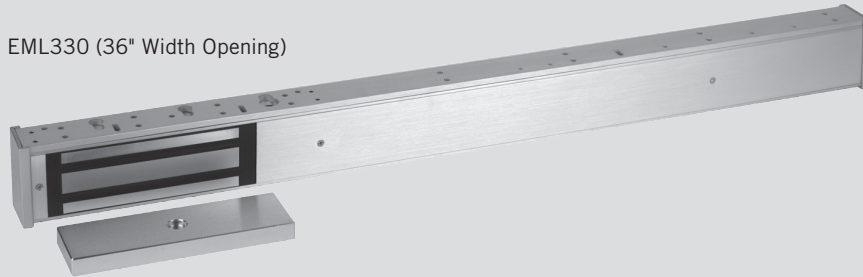
### DORMA Solutions

- Up to 1500 lb (680 kg) holding force
- Larger LED size for better visibility (DP versions only)
- Length modifications on-site using special end caps after cutting (minimum length 24")
- Field selectable voltage—12/24 VDC
- MOV surge protection
- Built-in time delay (instant release with adjustable re-lock, programmable from 0–110 seconds)
- No residual magnetism
- Hardened steel armature nut
- Easy-access wiring cavity
- Low energy consumption
- Self-drilling tek™ fasteners
- 628 brushed anodized aluminum lock body
- Available by special request only

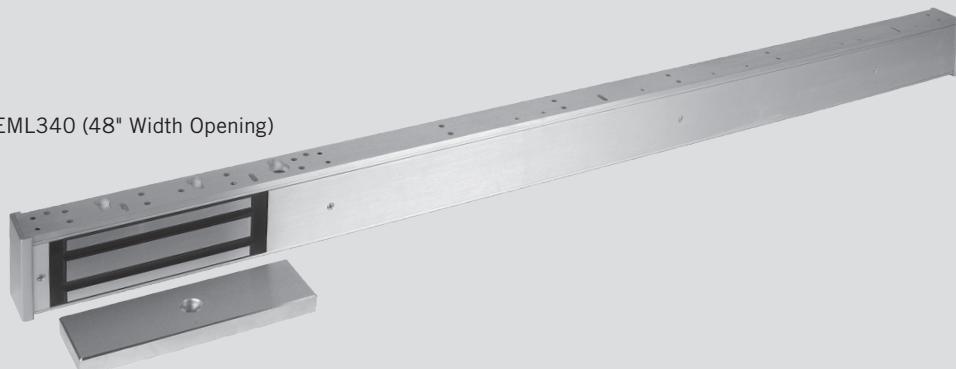
Larger LED Size  
for Better Visibility  
(Bond Alert  
versions only)



EML330 (36" Width Opening)



EML340 (48" Width Opening)





Specifications	EML330	EML340
Housing Dimensions	1-5/8" D x 2-7/8" W x 34-1/2" L (41.3 mm x 73.0 mm x 876.3 mm) (including 1/4" (6 mm) mounting bracket)	1-5/8" D x 2-7/8" W x 46-1/2" L (41.3 mm x 73.0 mm x 1181.1 mm) (including 1/4" (6 mm) mounting bracket)
Armature Plate Dimensions	Standard: 5/8" D x 2-3/8" W x 7-7/16" L* (15.9 mm x 60.3 mm x 188.9 mm)	Standard: 5/8" D x 2-3/8" W x 7-7/16" L* (15.9 mm x 60.3 mm x 188.9 mm)
Voltage	Field selectable 12/24 VDC Tolerance ±10%	Field selectable 12/24 VDC Tolerance ±10%
Power/Current Requirements	Max 0.28 A at 12 VDC Max 0.28 A at 24 VDC	Max 0.28 A at 12 VDC (each lock) Max 0.28 A at 24 VDC (each lock)
Holding Force	One-point locking (1500 lb)	One-point locking (1500 lb each point)
Output Relays	BA—SPDT 1.25 A @ 24 VDC DP—SPDT 0.20 A @ 12 VDC and 0.12 A @ 24 VDC	BA—SPDT 1.25 A @ 24 VDC DP—SPDT 0.20 A @ 12 VDC and 0.12 A @ 24 VDC
Wiring Requirements	2 wires—power input; up to 4 wires output	2 wires—power input; up to 4 wires output
Operating Temperature	14 to 140° F (-10 to 60° C)	14 to 140° F (-10 to 60° C)

\*DP armature plates are 5/8" D x 2-3/8" W x 10" L (15.9 mm x 60.3 mm x 254.0 mm) or 3/8" D x 2-3/8" W x 10" L (9.5 mm x 60.3 mm x 254.0 mm).

**NOTE:** DORMA recommends frame reinforcement and our filtered, regulated DC voltage PS53 Series power supplies.

Function	Description
Bond Alert Sensor (BA)	Electronic field presence sensor for remote and local LED indication of reduced holding force caused by materials between magnet and plate, and unlocked device due to current loss.
Door Position Sensor (DP)	Ceramic magnet-reed type sensor for remote indication of door status (opened or closed, independent of local power); magnet embedded in armature for tamper resistance; reed switch inside electronic housing cavity for easy access.
Low-Voltage Detection	Low voltage dramatically reduces electromagnetic lock holding force. This detection feature signals the BA relay/LED to activate (alarm) when voltage drops below 10.3 VDC (12 V input) or 20.5 VDC (24 V input).

**Finish<sup>1</sup>**

**Plated**

- Brass: 605 (Bright) or 606 (Satin)
- Bronze: 613 (Oxidized Satin)
- Chrome: 625 (Bright) or 626 (Satin)

**Painted**

- Bronze: 691 (Dull)
- Black: 693
- Gold: 696 (Satin)

1. Lock body supplied in 628. All other finishes supplied as a cover.

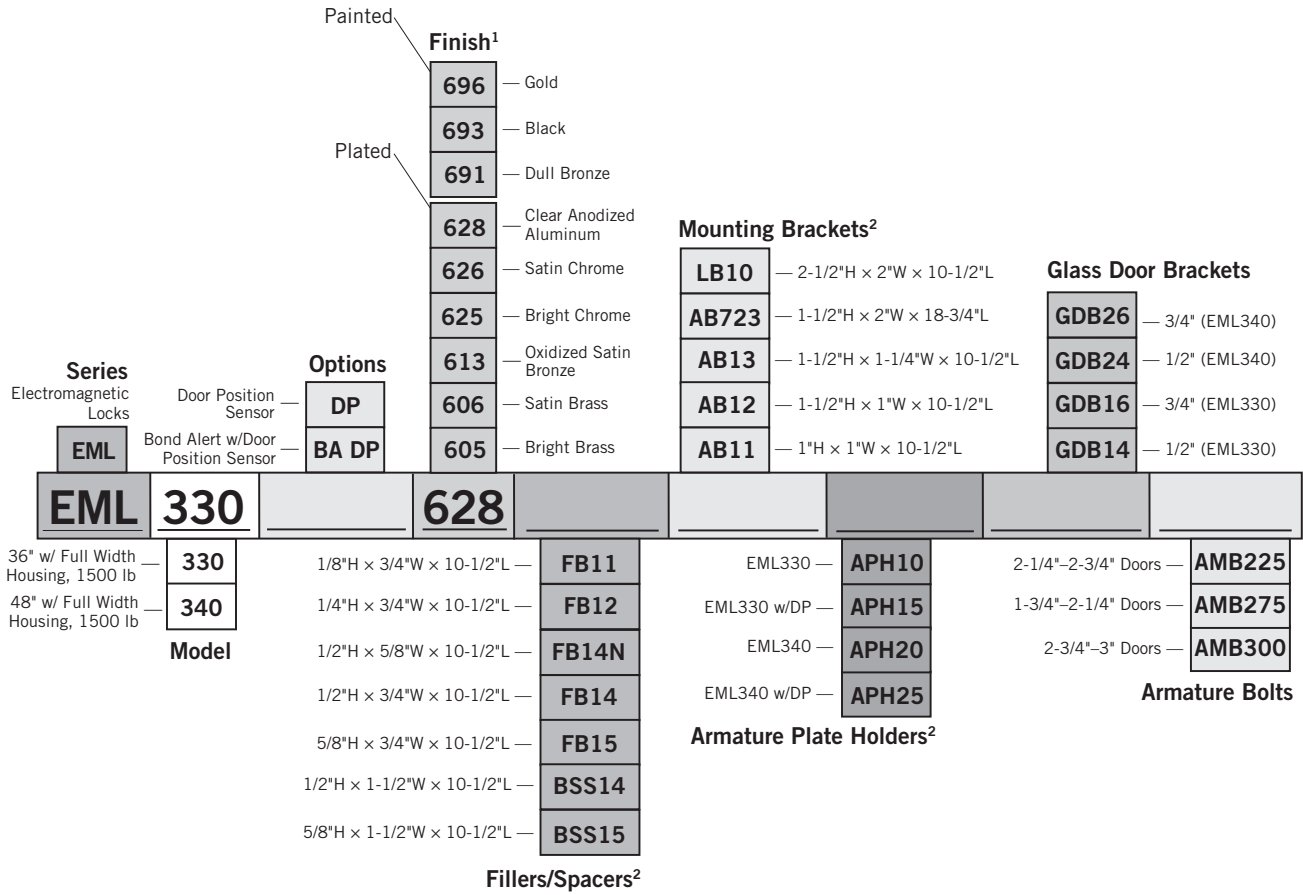
**Optional Mounting Accessories**

- Angle brackets
- Armature plate holders
- Glass door brackets
- Spacers
- Armature bolts
- DSR retrofit kit—**DSR15**

**Options**

- DP**—Door position sensor (retrofit kits available)
- BA DP**—Bond alert/door position sensor combination
- Special Finishes**—710 anodized dark brown available (special request)

# HOW TO ORDER EML330/EML340 SERIES

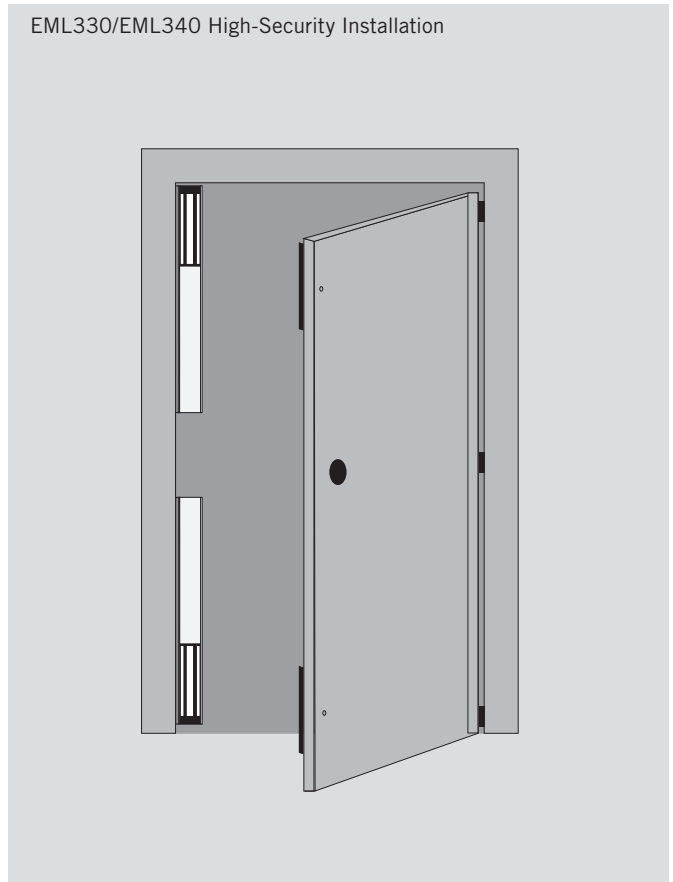


1. Lock body supplied in 628. All other finishes supplied as a cover.
2. Specify 628 or 695 finish, except FB11/LB10 available in 628 only.

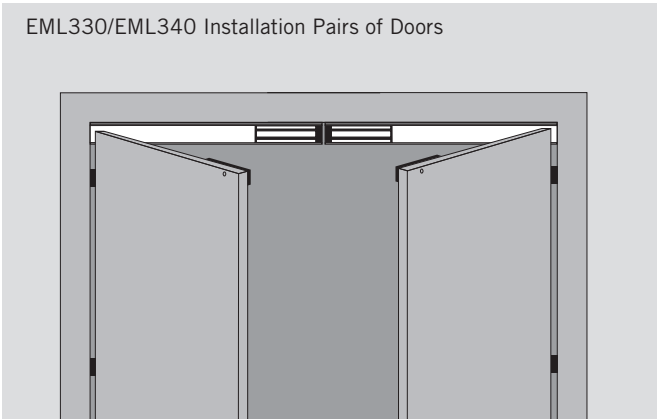
EML330/EML340 Installation Single Door



EML330/EML340 High-Security Installation



EML330/EML340 Installation Pairs of Doors



DORMA also offers a complete line of Electromagnetic Locks, Electric Strikes, Door Controls, Power Supplies, Switches, Keypads & Readers, Exit Devices, Systems & Door Hardware.

[www.dorma.com](http://www.dorma.com)



DORMA USA, Inc.  
Dorma Drive, Drawer AC  
Reamstown, PA 17567  
Tel: 800 523 8483  
Fax: 800 274 9724  
[archdw@dorma-usa.com](mailto:archdw@dorma-usa.com)

DORMA Canada  
1680 Courtney Park Drive, Unit 13  
Mississauga, Ontario L5T 1R4  
Tel: 800 387 4938  
Fax: 905 670 5850  
[www.dormacanada.com](http://www.dormacanada.com)

DORMA Mexico  
Calle Sur 110 no. 63, Col. Tloteuca  
01150 México, D.F.  
Tel: 5255 5272 6937  
Fax: 5255 5272 6948  
[operacion@dorma.com.mx](mailto:operacion@dorma.com.mx)