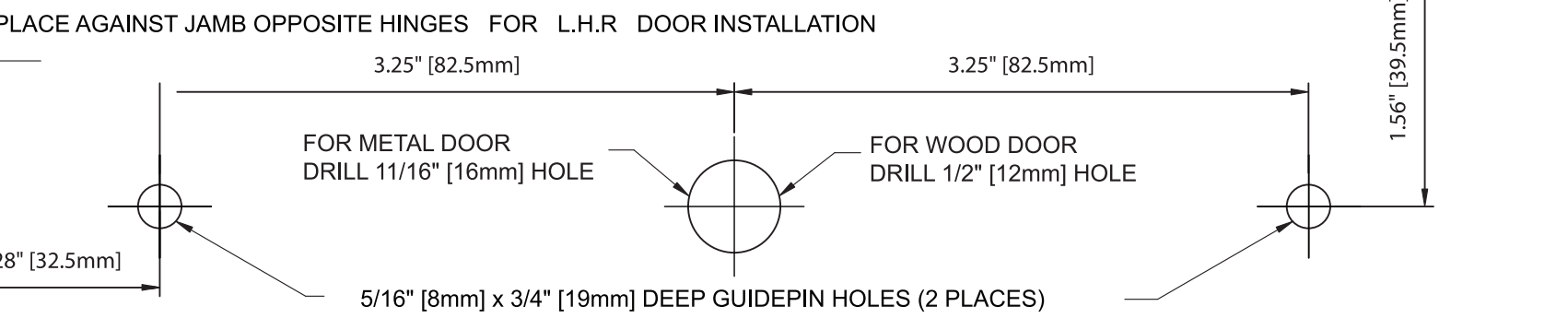
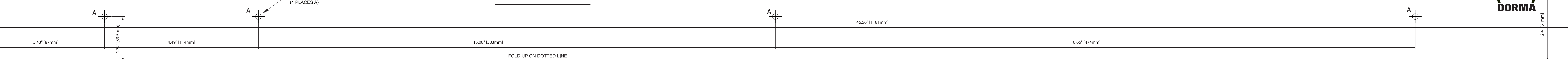




# TEMPLATE FOR EML340 LEFT HAND REVERSE DOOR



## MOUNTING INSTRUCTIONS FOR EML340 LEFT HAND REVERSE DOOR

Installation of this product should be done by an experienced installer with knowledge of this product.

**Step 1a) Read Pre-Installation Instructions**

**Step 1b) Prepare Door & Frame**  
Fold template on dotted line above.  
Place against closed door and header  
Drill the 3 holes in the door and 4 holes in the header as indicated.  
Note the different hole sizes required for the different materials.

**Step 1c) Mount Armature Plate**  
Position bolt with rubber head through the armature plate.  
Add 3 washers (steel - rubber - steel) onto bolt.  
Carefully apply thread locking compound to exposed thread.  
While aligning pins secure armature plate to door by threading into sexnut.  
**Note:** Do not overtighten armature plate. It must remain movable to allow surface alignment with electromagnetic lock face.

**Step 1d) Mount Electromagnetic Lock**  
Customize length of housing and mounting brackets from end opposite armature plate and re-installation endcap.  
Remove anti-tamper and cavity screw from front of lock.  
Loosen captive allen bolts through bottom of lock and slide off mounting bracket keyholes.  
Attach bracket to header with the 4 roundhead screws provided through the slots.  
**Note:** Do not over tighten these screws as the bracket may need adjustment.

Slide electromagnetic lock onto mounting bracket keyholes.  
Engage 1 captive screw at each end through bottom to fix lock position on bracket.  
Adjust alignment to ensure full contact of magnet with armature plate.  
Carefully remove electromagnetic lock without shifting mounting bracket.  
Secure mounting bracket in position with more than 11 TEK™ screws.  
Drill 3/4" (19mm) wire access hole using mounting bracket as a guide. Tip the electromagnetic lock to expose the 4 captive mounting screws. Carefully apply thread locking compound to exposed threads.  
Slide the electromagnetic lock onto mounting bracket keyholes.  
Secure with 4 captive mounting screws.

When properly installed, the ends of the armature plate allow a slight movement but the plate will feel secure when grasped at the bolt. There should be no movement to the mounting bracket or housing of the electromagnetic lock.  
**NOTE:** UL AND ULC LISTED ELECTROMAGNETIC LOCKING DEVICES MUST BE USED WITH UL OR ULC APPROVED POWER SUPPLIES. (DORMA OFFERS A FULL LINE OF POWER SUPPLIES) DORMA'S EML340 ELECTROMAGNETIC LOCKING DEVICES ARE cULus LISTED AND MEET CALIFORNIA STATE FIRE MARSHALL SPECIFICATIONS.

**WARNING: Improper installation, maintenance, inspection or usage of the product or any related accessories or parts may cause the electromagnetic lock, armature plate and associated hardware to disengage and fall, causing serious bodily injury and property damage. DORMA will not be liable to the installer, purchaser, end user or anyone else for damage or injury to person or property due to improper installation care, storage, handling, maintenance, inspection, abuse, misuse or act of God or nature involving this product or any related accessories or parts.**