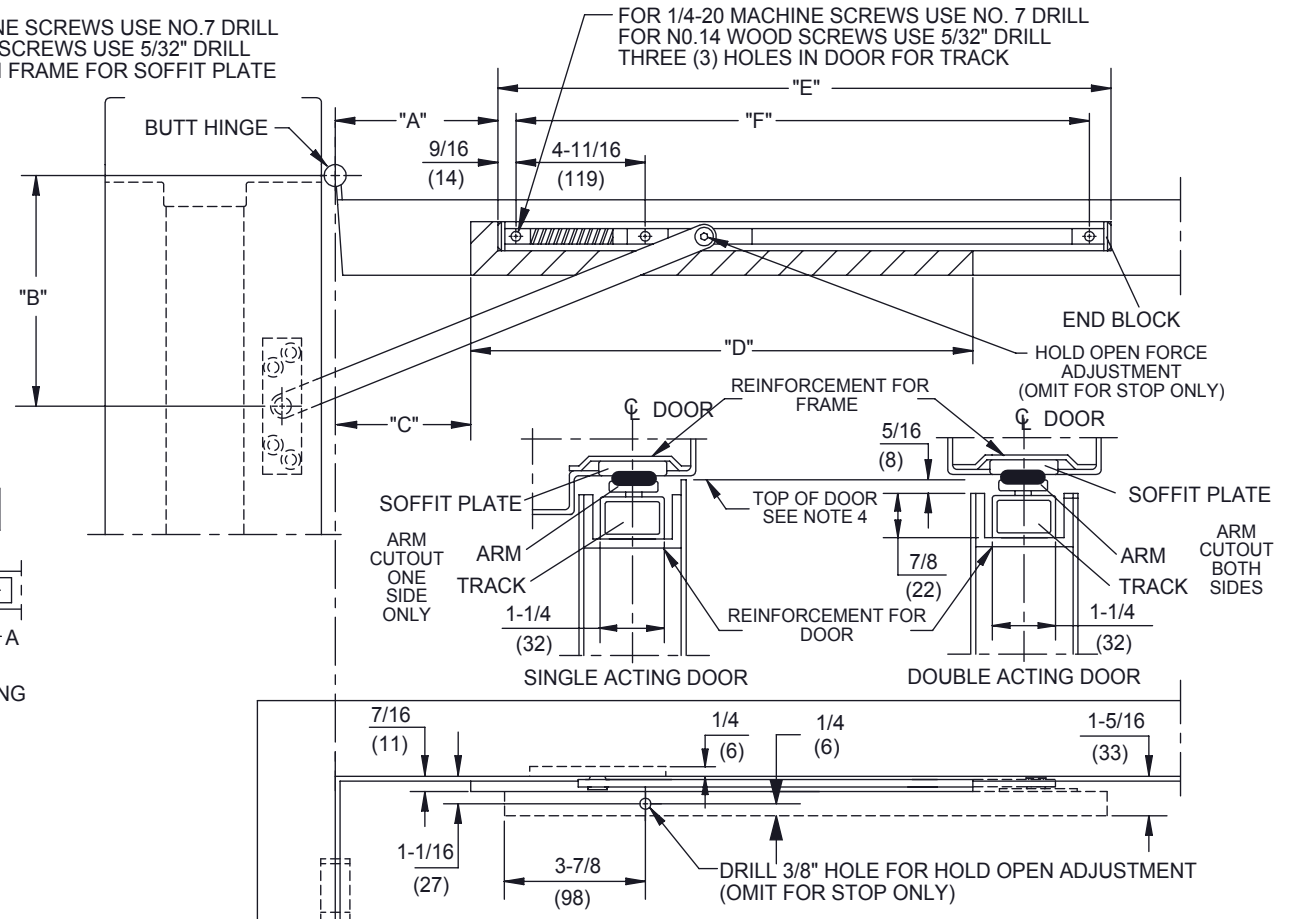
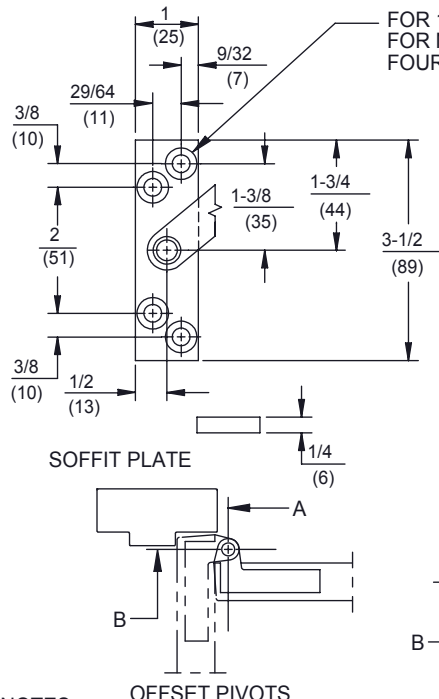


INSTALLATION INSTRUCTIONS:

1. Determine unit type supplied: (S) DEAD STOP ONLY or (H) HOLD OPEN.
2. Determine degree of hold-open or dead stop required and select the "A", "B", "C", "D" and "E" dimensions from the opposite side of this page.
3. Prepare door and frame according to the template found on this page.
4. Place end blocks into each end of track. Install track and arm assembly to door, making sure spring faces hinges.
5. Attach soffit plate to frame.

* ADDITIONAL INSTRUCTIONS (HOLD-OPEN UNITS):

6. Adjust hold open to on or off position. One direction on-opposite direction off.
7. Adjust the holding force by inserting a 5/64" hex key into the slide shoe bolt. Turn right to increase and left to decrease holding force.
8. Open door until slide shoe engages with hold-open.
9. To release the door, pull until the slide shoe disengages.



NOTES:

1. DO NOT SCALE DRAWING.
2. DIMENSIONS ARE IN INCHES/(MM).
3. LEFT HAND DOOR SHOWN.
4. VERTICAL DIMENSION BASED ON 1/8" CLEARANCE BETWEEN DOOR AND HEADER.

STOP AND HOLDER SERIES: 911H - 913H, 911S - 913S

HEAVY DUTY CONCEALED STOP/HOLD

SINGLE ACTING AND DOUBLE ACTING DOORS

CENTER HUNG, 3/4" OFFSET AND 4-1/2" X 4-1/2" HINGES



DORMA USA, Inc.
Reamstown, PA 17567

**910S, 910H SERIES
HEAVY DUTY CONCEALED OVERHEAD STOP AND HOLDER**



UNIT	DEGREE OF OPENING	4-1/2" HINGES OR 3/4" PIVOTS				CENTER HUNG				DIM "E"	DIM "F"		
		DOOR RANGE	DIM "A"	DIM "B"	DIM "C"	DIM "D"	DOOR RANGE	DIM "A"	DIM "B"			DIM "C"	DIM "D"
911 S	85° DEAD STOP ONLY	24 to 34	4-1/2	5-1/2	4-1/2	10-1/2	27 to 37	4-1/2	7	6	10-1/2	18-5/8	17-1/4
	90° DEAD STOP ONLY		4-1/16	5-1/2	4-1/2	10-1/2		3-7/8	7	6	10-1/2		
	95° DEAD STOP ONLY		3-5/8	5-1/2	4-1/2	10-1/2		3-5/16	7	6	10-1/2		
	100° DEAD STOP ONLY		3-1/4	5-1/2	4-1/2	10-1/2		-	-	-	-		
	105° DEAD STOP ONLY		2-15/16	5-1/2	4-1/2	11-1/4		-	-	-	-		
	110° DEAD STOP ONLY		2-9/16	5-1/2	4-1/2	12		-	-	-	-		
911 H	85° HOLD OPEN	24 to 34	5-1/16	5-1/2	4-1/2	11	27 to 37	3-7/8	7	6	10-1/2	18-5/8	17-1/4
	90° HOLD OPEN		4-1/2	5-1/2	4-1/2	11-1/2		3-1/4	7	6	10-1/2		
	95° HOLD OPEN		4-1/8	5-1/2	4-1/2	11-3/8		2-11/16	7	6	10-1/2		
	100° HOLD OPEN		3-11/16	5-1/2	4-1/2	12-3/8		-	-	-	-		
	105° HOLD OPEN		3-5/16	5-1/2	4-1/2	13		-	-	-	-		
	110° HOLD OPEN		3	5-1/2	4-1/2	14-1/2		-	-	-	-		
912 S	85° DEAD STOP ONLY	34-1/8 to 44	10-7/16	10-1/4	9-1/4	18-3/4	37-1/8 to 46	11-1/4	10	9	16-1/2	22-1/4	20-3/4
	90° DEAD STOP ONLY		9-9/16	10-1/4	9-1/4	18-3/4		10-3/8	10	9	17-7/8		
	95° DEAD STOP ONLY		8-7/8	10-1/4	9-1/4	18-3/4		9-1/2	10	9	16-1/2		
	100° DEAD STOP ONLY		9-1/4	8-1/4	7-1/4	18-1/4		9-1/2	9	8	16-1/2		
	105° DEAD STOP ONLY		8-3/4	8-1/4	7-1/4	18-1/4		8-13/16	9	8	16-1/2		
	110° DEAD STOP ONLY		8-3/16	8-1/4	7-1/4	18-1/4		8-1/8	9	8	16-1/2		
912 H	85° HOLD OPEN	34-1/8 to 44	9-11/16	10-1/4	9-1/4	18-3/4	37-1/8 to 46	10-5/8	10	9	16-1/2	22-1/4	20-3/4
	90° HOLD OPEN		9	10-1/4	9-1/4	18-3/4		9-3/4	10	9	16-1/2		
	95° HOLD OPEN		8-1/4	10-1/4	9-1/4	18-3/4		8-15/16	10	9	16-1/2		
	100° HOLD OPEN		8-11/16	8-1/4	7-1/4	18-1/4		8-15/16	9	8	16-1/2		
	105° HOLD OPEN		8-1/8	8-1/4	7-1/4	18-1/4		8-1/4	9	8	16-1/2		
	110° HOLD OPEN		7-1/2	8-1/4	7-1/4	18-1/4		8-3/16	9	8	16-1/2		
913 S	85° DEAD STOP ONLY	44-1/8 to 54	15-1/2	11-1/2	10-1/2	22	46-1/8 to 54	16-3/4	13	12	25	27-3/8	26
	90° DEAD STOP ONLY		14-1/2	11-1/2	10-1/2	22		15-9/16	13	12	25		
	95° DEAD STOP ONLY		13-5/8	11-1/2	10-1/2	22		14-1/2	13	12	25		
	100° DEAD STOP ONLY		13-5/8	10	9	22-1/2		14-3/16	12	11	25		
	105° DEAD STOP ONLY		12-7/8	10	9	22-1/2		13-5/16	12	11	25		
	110° DEAD STOP ONLY		12-1/4	10	9	22-1/2		12-1/2	12	11	25		
913 H	85° HOLD OPEN	44-1/8 to 54	16	11-1/2	10-1/2	22	46-1/8 to 54	16-1/8	13	12	25	27-3/8	26
	90° HOLD OPEN		15-1/16	11-1/2	10-1/2	22		15	13	12	25		
	95° HOLD OPEN		14-1/8	11-1/2	10-1/2	22		13-7/8	13	12	25		
	100° HOLD OPEN		14-3/8	10	9	22-1/2		13-5/8	12	11	25		
	105° HOLD OPEN		13-11/16	10	9	22-1/2		12-11/16	12	11	25		
	110° HOLD OPEN		13-1/16	10	9	22-1/2		11-7/8	12	11	25		

- a. All 4-1/2" WIDE HINGE and 3/4" OFFSET PIVOT dimensions are for 1-3/4" thick doors, CENTER HUNG are for 1-3/4" to 2-1/4" thick doors. For additional door thicknesses consult DORMA's Technical Services department.
- b. DEAD STOP ONLY is the maximum degree to which the door will open when the shock spring is fully compressed.
- c. HOLD OPEN is the degree the door is held open. The shock absorber spring compresses while the door moves to the dead stop position which is several degrees greater; approximately 8-9 degrees.
- d. All values are in inches.

