

TS93 GSR PULL SIDE DOOR CLOSER/COORDINATOR

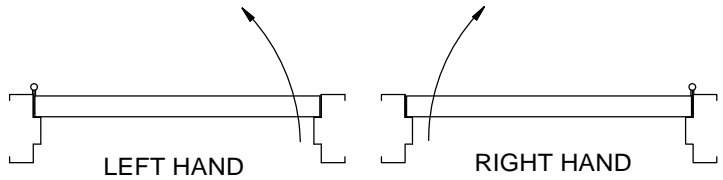


1 (REFERENCE UNIT CARTON LABEL FOR UNIT TYPE)

Determine active door and unit type supplied.

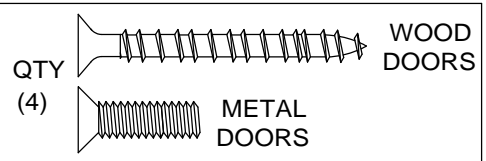
Prepare door and frame for fasteners according to template 08280042.

CAUTION: SEX NUTS ARE REQUIRED FOR ATTACHMENT OF COMPONENTS TO UNREINFORCED DOORS AND TO WOOD OR PLASTIC FACED COMPOSITE TYPE FIRE DOORS, UNLESS AN ALTERNATIVE METHOD IS IDENTIFIED IN THE INDIVIDUAL DOOR MANUFACTURER'S LISTINGS.

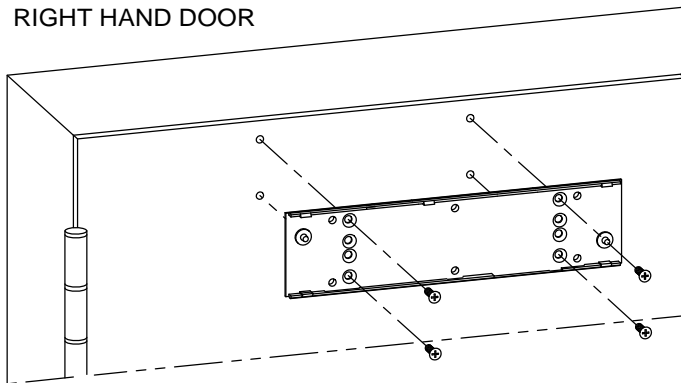


2

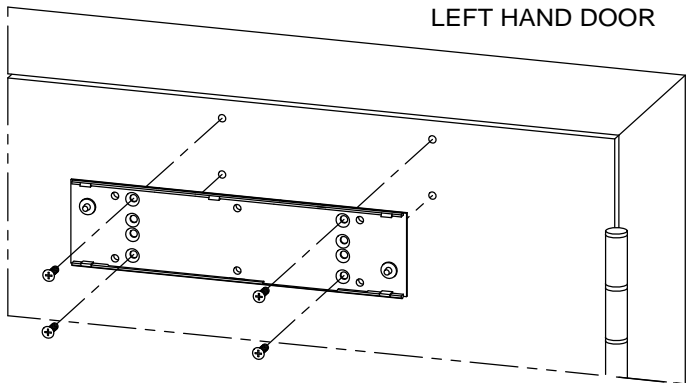
Attach mounting plate to door (arrows pointing up) using a total of 4 screws.



RIGHT HAND DOOR

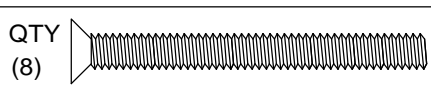


LEFT HAND DOOR

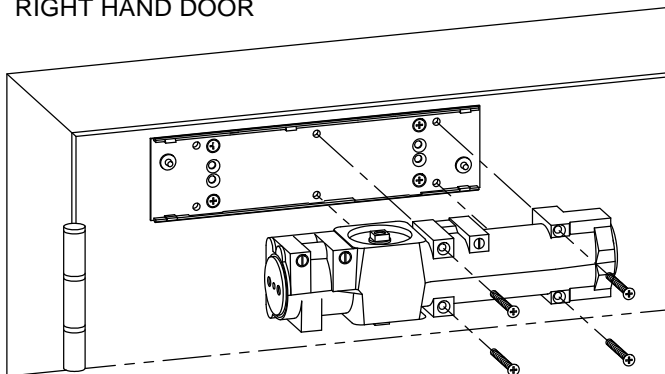


3

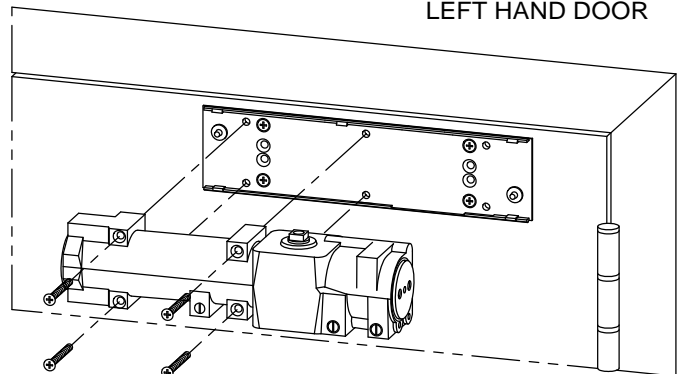
Attach closer to mounting plate.



RIGHT HAND DOOR



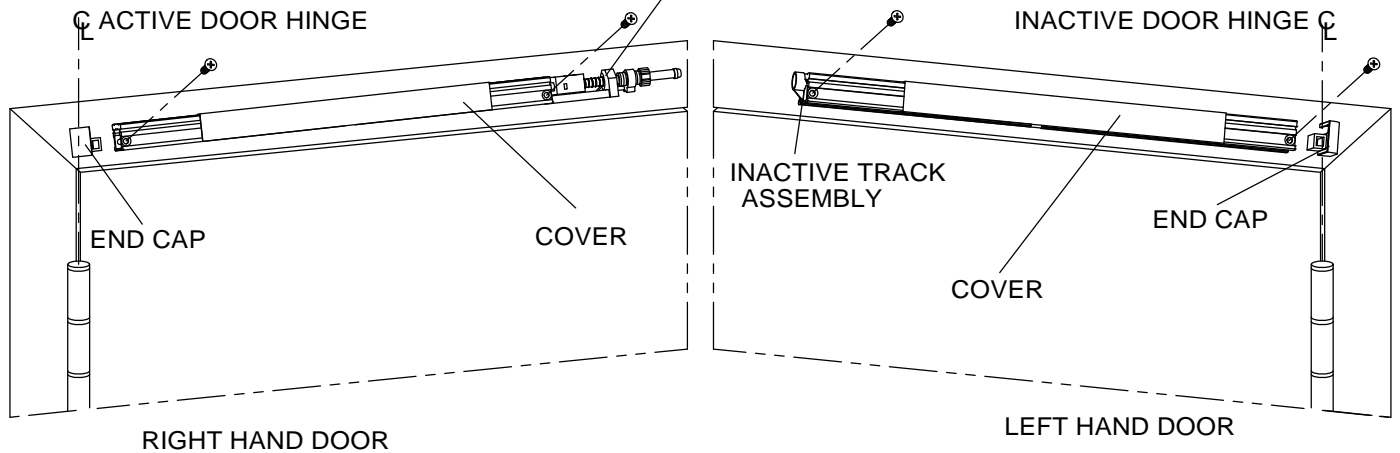
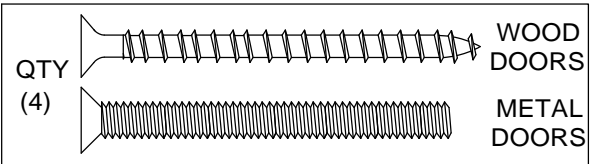
LEFT HAND DOOR



INSPK NO. 08280040 Rev.03/08

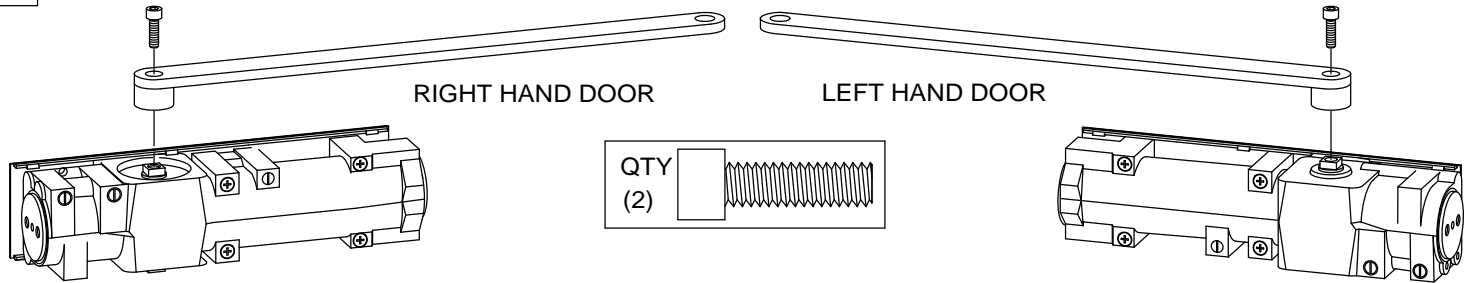
4 Install active door track and inactive door track.

Attach slide track. Slide cover on track. Install screw towards middle of door first. Slide cover to give access for screw on hinge side. Insert end cap, attach end cap and track with screw. Slide cover to meet end cap.



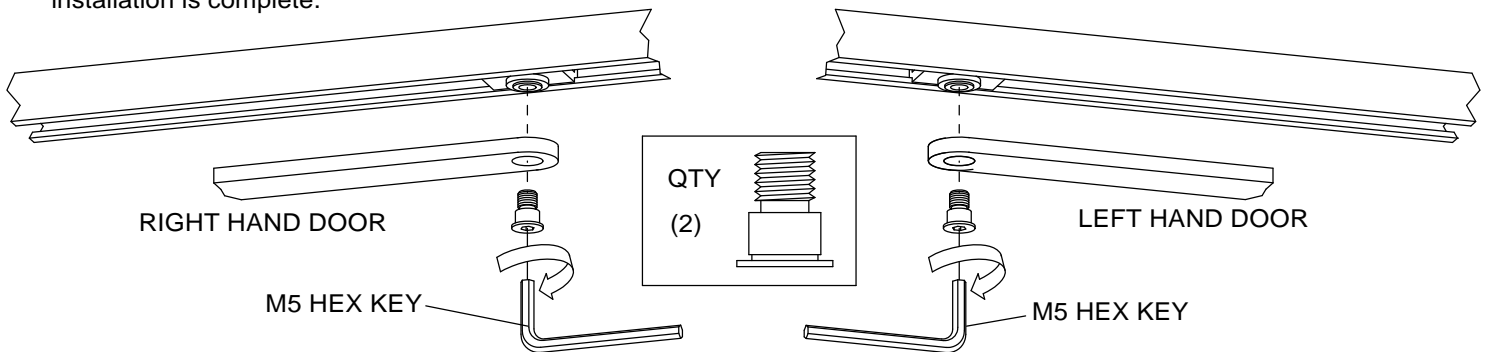
NOTE: Right Hand Active door shown. For Left Hand Active installations install active track assembly on left hand door and inactive track assembly on right hand door.

5 Attach arm to pinion of closer, parallel to door.



6 Attach arm to slide shoe. Rotate arm until parallel to door and align with slide shoe in track. Insert screw and tighten securely.

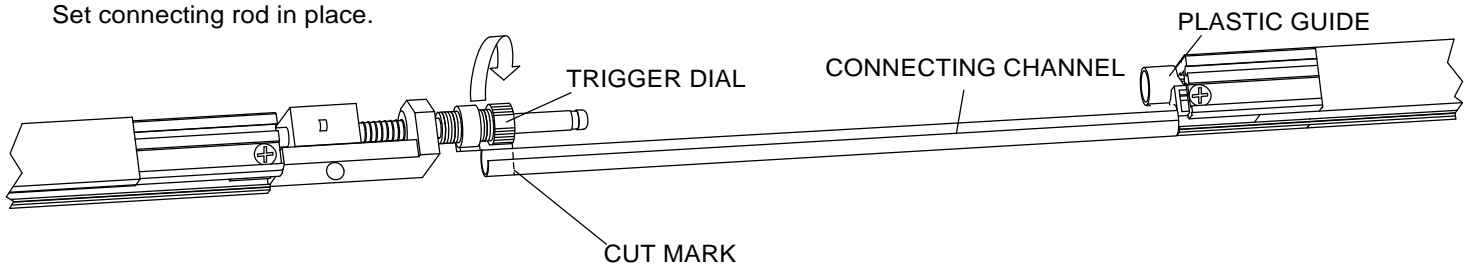
Note: Depress trigger dial to allow the active slide shoe to move freely. Locking pin may fall out, and can be discarded after installation is complete.



7 Close both door leaves.

Mark the required connecting channel length. In doing so ensure that the plastic guide element is pushed up against the slide shoe and that the trigger dial has been fully wound in clockwise.

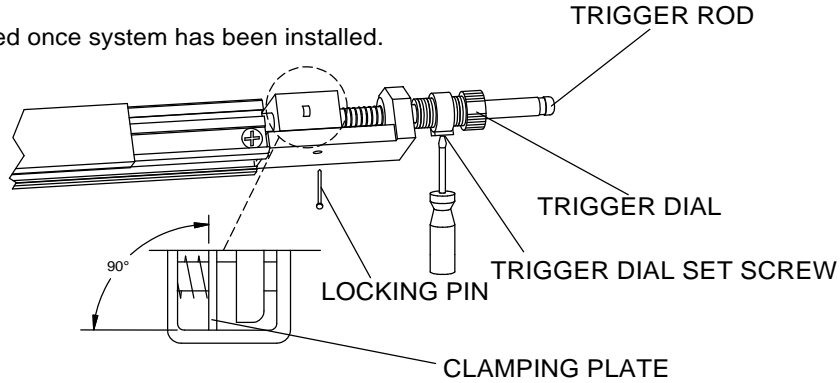
Saw off connecting channel at the cut mark. Remove burrs from end of 1/4" conduit after cutting. Set connecting rod in place.



- 8 Open active leaf to retract clamping rod. Insert the connecting channel into the trigger dial of the active leaf slide track, and then insert into the inactive leaf plastic guide.

Unwind the trigger dial (turn counter clockwise) by hand until active door starts to close. During this process, ensure that the clamping plate is perpendicular (90°) to the clamping rod. Tighten set screw to secure trigger dial.

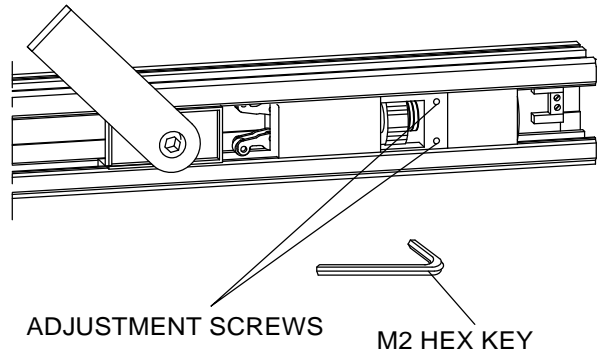
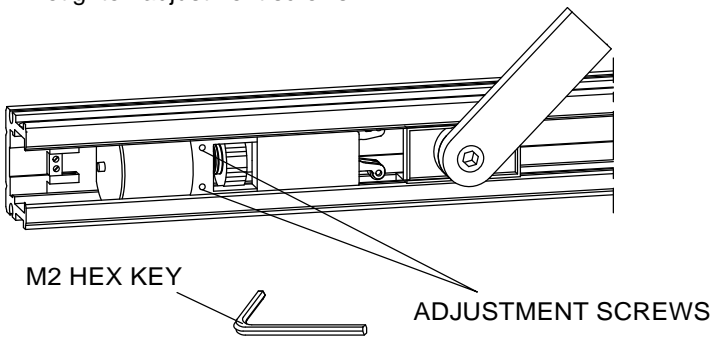
Note: Pin can be discarded once system has been installed.



The clamping rod will only operate smoothly if the clamping plate has been properly adjusted. Only then will the active leaf swing freely with the inactive leaf closed.

- 9 Setting the hold open point.

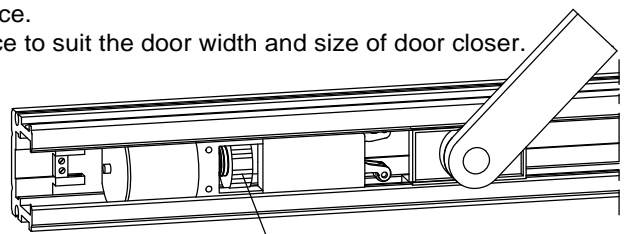
Open door leaf(s) until engaged in hold open. If another degree of hold open is desired, loosen adjustment screws. Slide the electric hold open mechanism in the appropriate direction for an increase or decrease of hold open degree and retighten adjustment screws.



- 10

Setting the release force.

Adjust the release force to suit the door width and size of door closer.

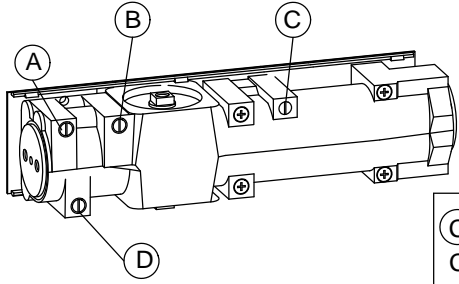


NOTE: If the release force is set too high damage might occur to door, hinges, or GSR system.



11 Adjust sweep, latch, backcheck and delayed action valves.

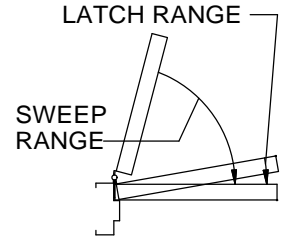
CAUTION: DO NOT REMOVE VALVES.



C DECREASE
INCREASE

(A) - SWEEP speed from 70° opening to 0°.

(B) - LATCH speed from approx. 7° to 0°.-**(INCREASE ONLY)**



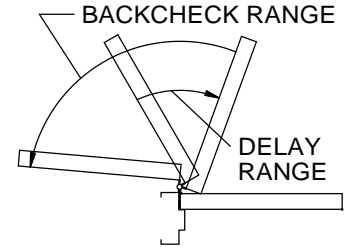
BACKCHECK (INTENSITY) OR DELAYED ACTION (TIME)

C INCREASE
DECREASE

(C) - BACKCHECK cushion effect.

CAUTION: DO NOT CLOSE VALVE COMPLETELY.

(D) - DELAY speed from approx. 135° to 70°.

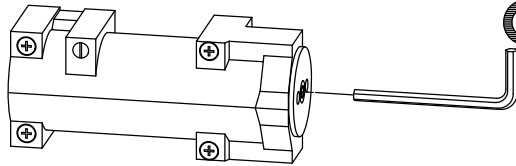


12 Adjust spring power.

IMPORTANT:

Adjust clockwise according to chart.

CAUTION: DO NOT OVERTIGHTEN

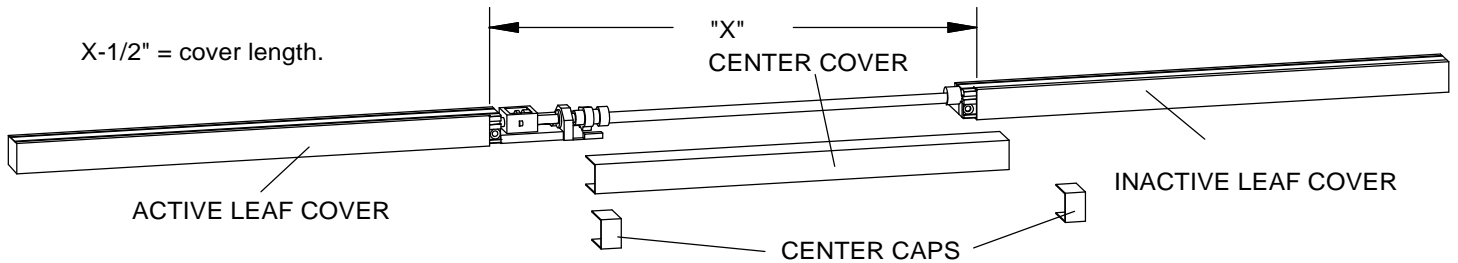


C INCREASE
DECREASE

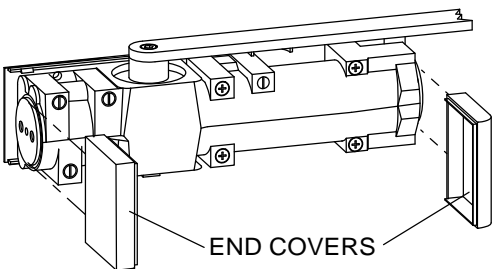
	ULC ONLY DOOR WT.	DOOR WIDTH		NUMBER OF FULL TURNS	CLOSER SIZE
		INT.	EXT.		
TS93-1	100 LBS.	2'6"	---	5	2
	125 LBS.	3'	2'6"	9	3
	150 LBS.	3'6"	3'	14	4
	200 LBS.	4'	3'6"	18	5
TS93-5	200 LBS.	4'	3'6"	-4	5
	250 LBS.	4'6"	4'	0	6

BARRIER FREE OPENINGS SHOULD BE ADJUSTED TO USE THE MINIMUM CLOSING FORCE REQUIRED TO CLOSE AND LATCH THE DOOR.

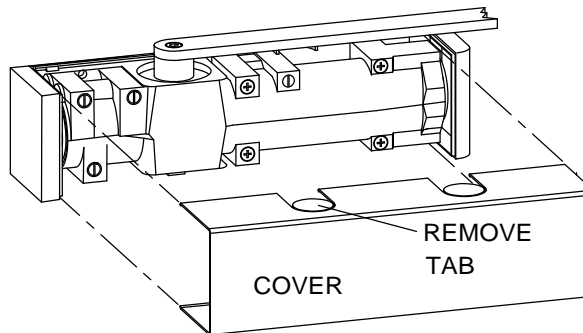
13 Install track covers (narrow side of each toward center) and center cover. Slide end covers into grooves. Measure distance between inactive leaf cover and active leaf cover then subtract 1/2 inch. Cut center cover to length. Clip on center cover then both plastic covers.



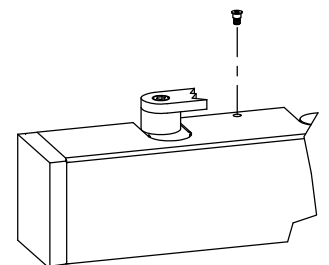
14 Install closer covers and end covers.



Slide end covers over closer body end caps.



Remove tab that aligns with arm hub. Slide cover onto plate.



Secure with locking screw.

15 Install carrybar.
A carrybar should be installed to ensure that the active door is opened enough for the inactive door to close. DORMA carrybars MK-397 (up to 3'-6" wide door) and MK-398 (3'-6" and wider door) are recommended. Installation instructions are included with carry-bar.