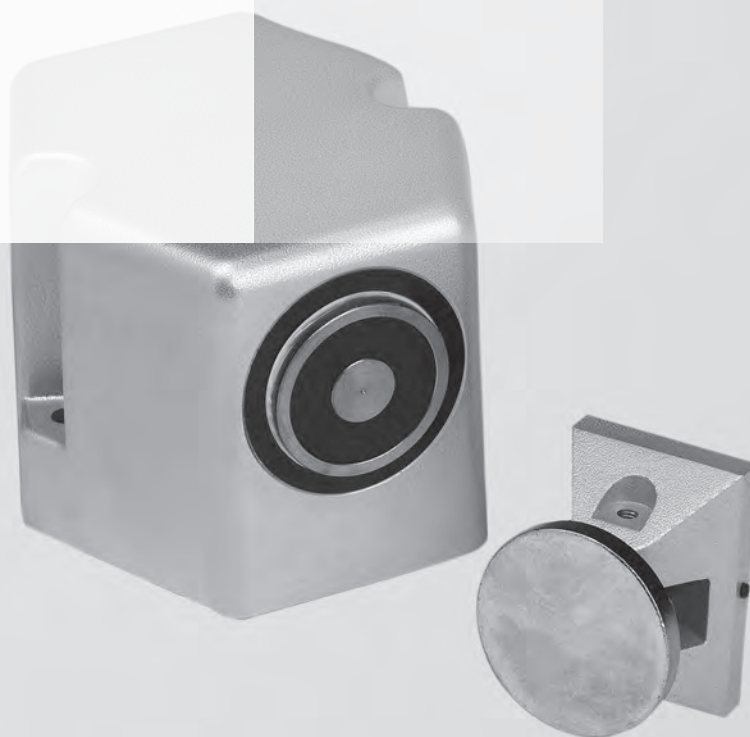


EM

—



Electromagnetic Door Holders

# EM SERIES

**Dual voltage capability and an adjustable catch plate provide versatility for varying applications.**

The DORMA EM Series door holders are composed of a door mounted catch plate and a floor- or wall-mounted electromagnet. This series serves as an economical package for use in conjunction with DORMA door closers whenever controlled release and closing of doors is necessary for safety or convenience such as in hotels, hospitals, and nursing homes.

The EM Series magnets offer superior reliability with built-in protection and low residual magnetism so they release easily even in applications meeting ADA requirements with minimal spring force door closers. Brackets are not required for recessed, flush, or surface mounting. The catch plate on the door features a ball-shaped pivot arm for adjustability to further ensure perfect alignment. Optional extension rods are available to accommodate greater distances between the door and wall.

### Technical Details

- Dual voltage capability reduces stocking requirements.
- Low current draw allows savings on power supplies and backup batteries.
- Optional extension rods fit on standard catch plate to accommodate deeper door to wall conditions.
- Low residual magnetism allows easy release of door.
- All electrical values +10% to -15%.
- Floor- and wall-mounted styles.
- Can be manually pulled from hold open position.
- Silent operation.
- Holding force 15–25 lb nominal.



### Certification

The DORMA EM Series are listed by UL and CUL under their continuing reinspection programs. California State Fire Marshall (CSFM) approved. The EM Series magnets are certified to conform to the requirements of ANSI/BHMA A156.15 Grade 1.

### Specifications

All electromagnetic door holders shall be DORMA EM Series with wall- or floor-mounted magnets and door-mounted catch plates. Available as surface, flush, or floor mount. Floor-mounted magnets shall be provided for both single and double door applications. Each magnet to have the following voltage capability: 24 VAC or DC and 120 VAC. Specify type of mount.

### Optional Specifications

- Magnet to have 1-1/2" catch plate extension. Specify ER-1.5.
- Magnet to have 2-1/2" catch plate extension. Specify ER-2.5.
- Magnet to have adjustable catch plate extension. Specify either ER-7 or ER-12.

### Finishes

#### Powder Coated Finishes

- Aluminum: 689\*.
- Bronze: 695 (Dark Duranodic).

#### Painted Finish

- 696: Gold (Satin)

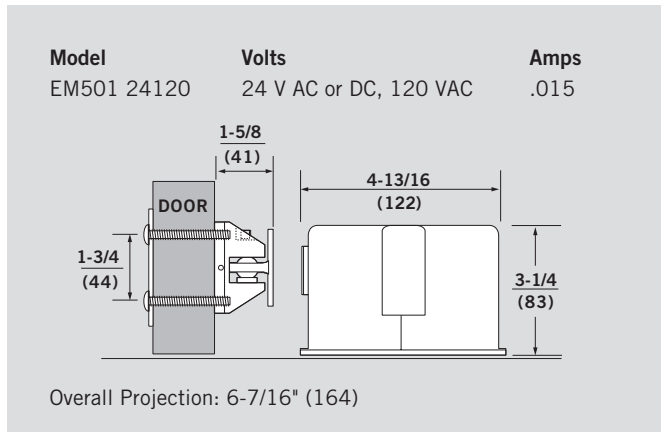
\*The EM-509 is furnished with a 630 faceplate when ordered in 689 finish.

# HOW TO ORDER

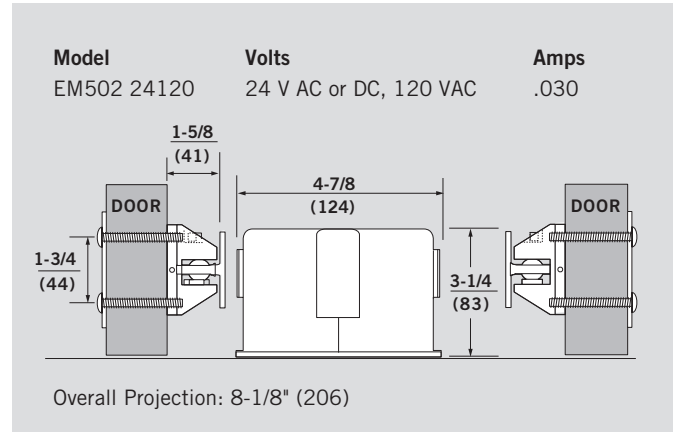
Application		Options (Packaged Separately)		
Completely Flush	509	2-5/8" Catch Plate	CP LONG	<b>Finish</b> 696 — Satin Brass Painted 695 — Dark Duranodic Bronze Powder Coated 689 — Aluminum Powder Coated
Surface	508	2" Catch Plate	CP SHORT	
Semi-Flush, Short Catch	505	8-3/8" to 12" Adjustable Extension	ER 12	
Semi-Flush, Long Catch	504	6-3/8" to 8" Adjustable Extension	ER 7	
Double Floor	502	2" Extension	ER 2.0	
Single Floor	501	1-1/2" Extension	ER 1.5	
<b>EM 504</b>		<b>24120</b>		<b>689</b>
EM Series		24120 — Dual Voltage 24 VDC, 120 VAC		
		<b>Electrical Specification</b>		

# MODELS

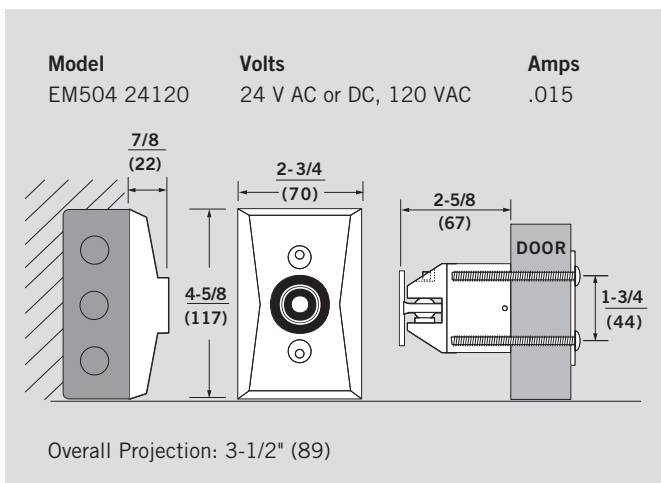
## Floor-Mount (Single Door)



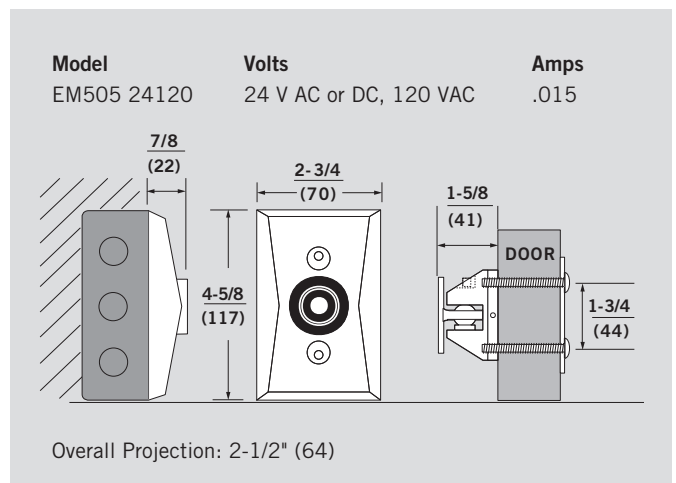
## Floor-Mount (Double Door)



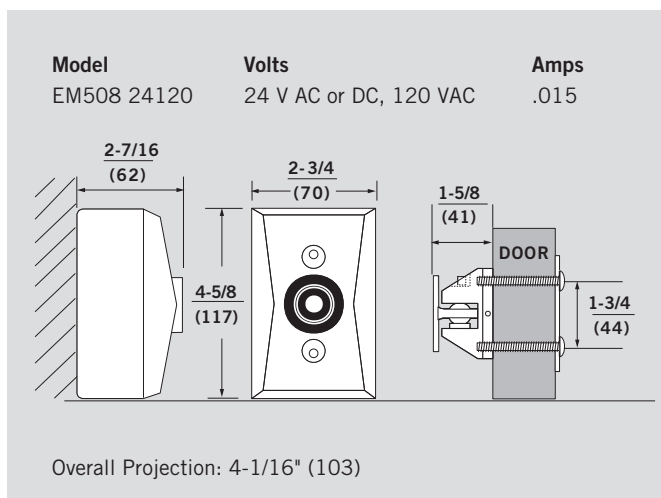
## Semi-Flush Wall-Mount (Long Catch Plate)



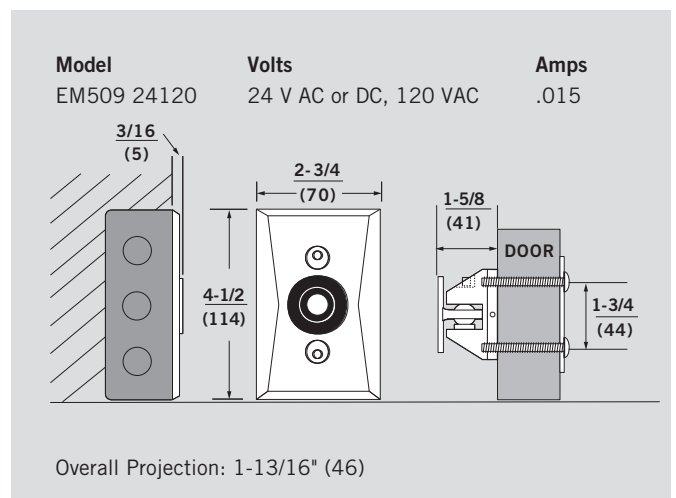
## Semi-Flush Wall-Mount (Short Catch Plate)



## Surface Wall-Mount



## Completely Flush Wall-Mount (Low Projection)



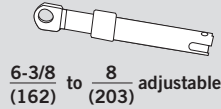


## ACCESSORIES

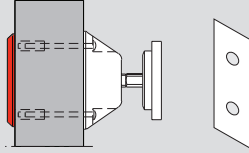
**ER-1.5** - Catch plate extension



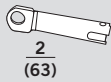
**ER-7** - Catch plate extension



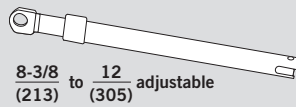
**DP PACK** - Includes door plate and door plate accessories.



**ER-2.0** - Catch plate extension

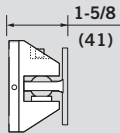


**ER-12** - Catch plate extension

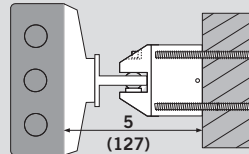
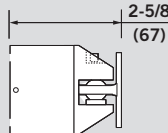


EM504 24120 illustrated with ER-1.5 catch plate extension. The ER-1.5 increases total magnet projection to 5". The ER-2.5 increases the total projection to 6". Extensions can be used with all models.

**CP SHORT** - Complete catch plate 1-5/8" projection.



**CP LONG** - Complete catch plate 2-5/8" projection.



## COMPARISON CHART

DORMA	Rixson	Norton	Yale	Sargent	Corbin/ Russwin	LCN	DORO- MATIC	ABH	Old DORMA
Floor Mount (Single Door) EM501 24120	980	R6931	R5931	1516	DH57901 DH57941	SEM 7820	62150	2610 2620	EM-FM24120
Floor Mount (Double Door) EM502 24120	981	R6932	R5932	1517	N/A	N/A	N/A	2710 2720	EM-DFM24120
Semi-Flush Wall (Long Catch) EM504 24120	998	R6933	R5933	N/A	DH57904 DH57944	SEM 7850	62110	2110 2120	EM-F24120
Semi-Flush Wall (Short Catch) EM505 24120	997	R6934	R5934	1561	DH57903 DH57943	SEM 7840	N/A	2310 2320	N/A
Surface Wall Mount (Short Catch) EM508 24120	996	R6935	R5935	1560	N/A	SEM 7830	62120	2310 2320	EM-S24120
Completely Flush Wall (Low Projection) EM509 24120	990	R6936	R5936	1504	N/A	N/A	N/A	2410 2420	EM-R24120

**NOTE:** Since no products are exactly alike, the data on this chart represents the judgment of which products are most similar. Information has been obtained from trade sources. It is not guaranteed nor represented that any specific product exactly equals any other product.

www.dorma.com



DORMA USA, Inc.  
Dorma Drive, Drawer AC  
Reamstown, PA 17567  
Tel: 800 523 8483  
Fax: 800 274 9724  
archdw@dorma-usa.com

DORMA Canada  
1680 Courtney Park Drive, Unit 13  
Mississauga, Ontario L5T 1R4  
Tel: 800 387 4938  
Fax: 905 670 5850  
www.dormacanada.com

DORMA Mexico  
Calle Sur 110 no. 63, Col. Tolteca  
01150 México, D.F.  
Tel: 5255 5272 6937  
Fax: 5255 5272 6948  
operacion@dorma.com.mx